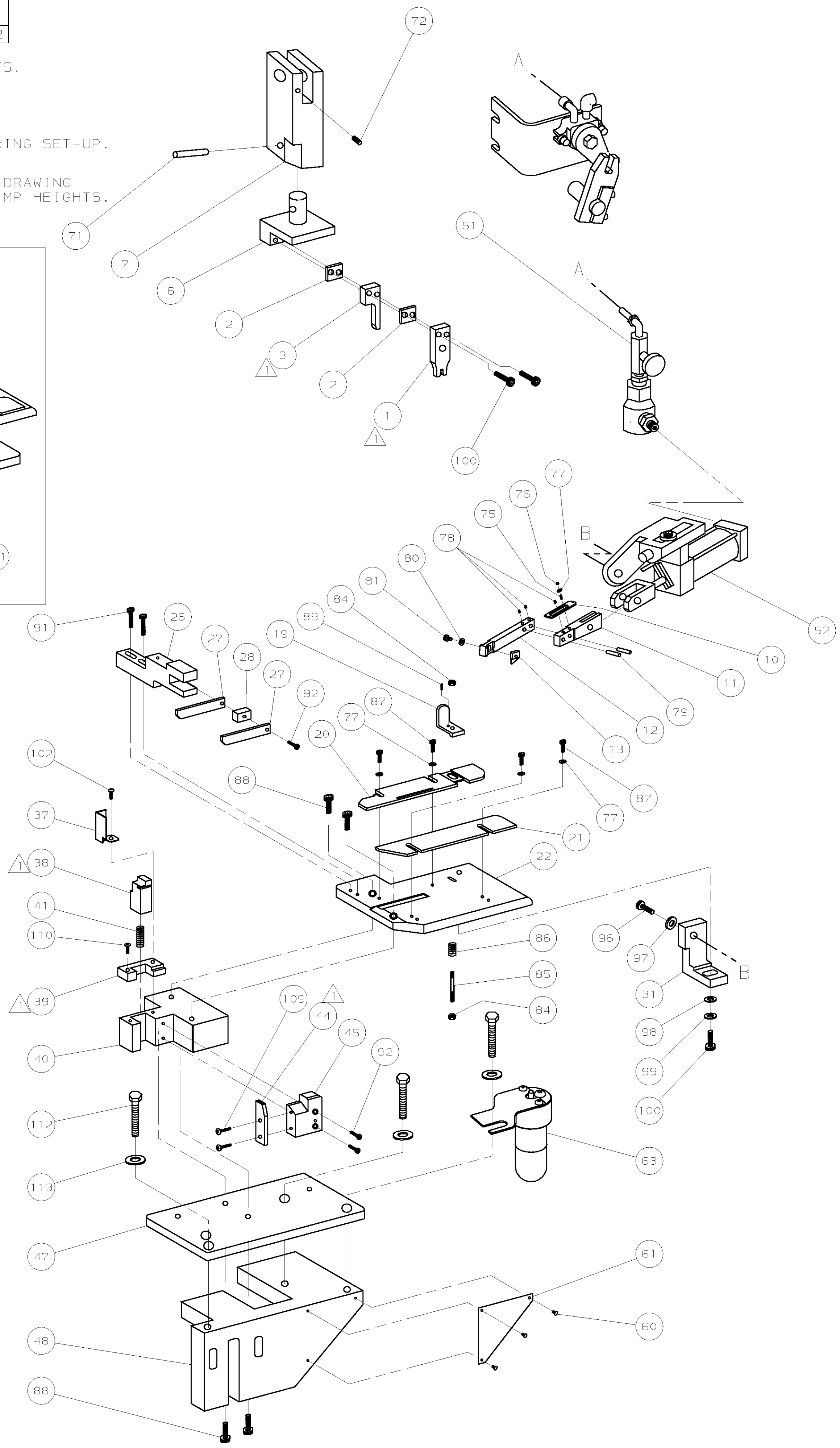
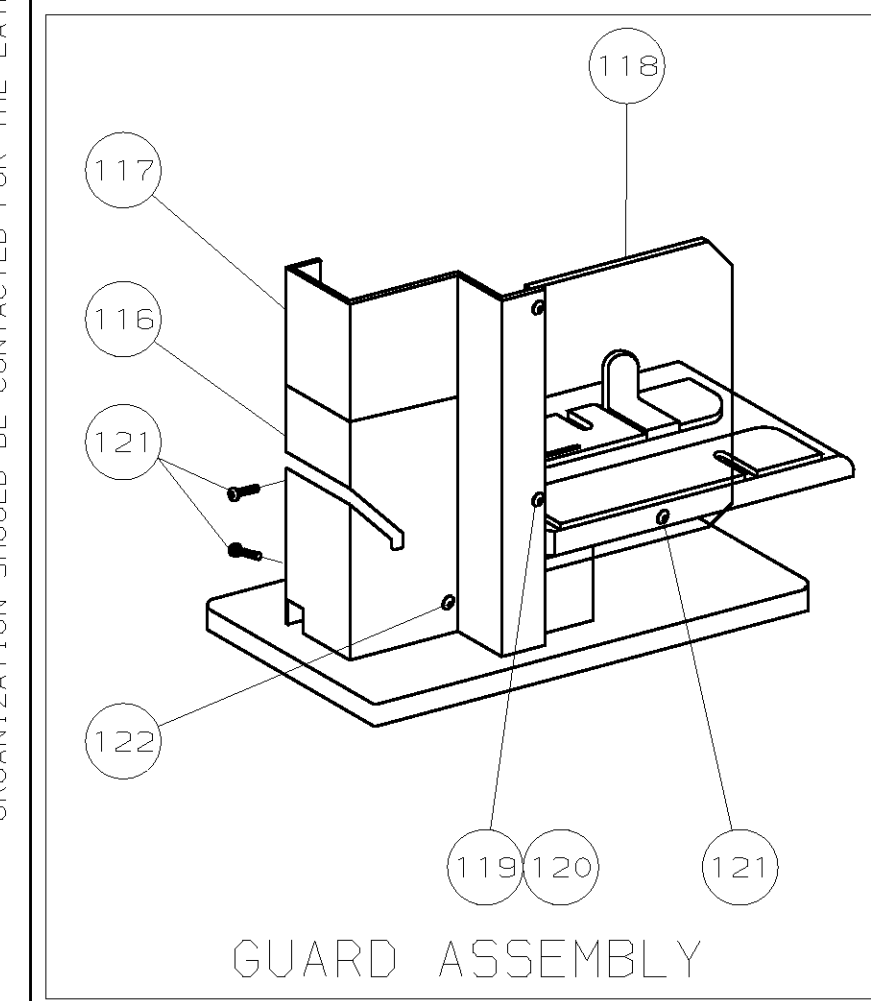


PART NUMBER	REV	FIRST USED
566376-1	F	1-471273-2

- 1 RECOMMENDED SPARE PARTS.
- 2 ITEMS NOT SHOWN.
- 3 ONLY QUALIFY 3(18) DURING SET-UP.
- 4 SEE TERMINAL CUSTOMER DRAWING FOR WIRE RANGE AND CRIMP HEIGHTS.



TERMINAL NAME:	SPLICE
	485043
TERM APPL SPEC	114-2088

CRIMPING DATA			
	CRIMP HEIGHT	WIRE SIZE	
-	.087±.002	(3) #18	△
-	.077±.002	(3) #20	△
CRIMP WIRE INSUL			
WIRE	.140	F	RANGE CMA 3000-8400
INSUL	-	-	-
FEED	.620	APPL INST A1 408-8012	SET UP GAGE LAYOUT
WIRE STRIP LENGTH .280-.320			

QTY	REV	DESCRIPTION	ITEM NO
1	B	815933-1	125
1	B	461903-1	124
1	C	461904-1	123
1	A	2-21002-2	122
5	A	2-21002-0	121
2	A	21018-4	120
2	A	1-21002-3	119
1	B	816303-2	118
1	D	768494-1	117
1	B	768562-1	116
-	-	-	115
-	-	-	114
3	A	371178	113
3	A	3-21015-1	112
-	-	-	111
1	A	1-21002-9	110
2	A	2-21002-1	109
-	-	-	108
-	-	-	107
-	-	-	106
-	-	-	105
-	-	-	104
-	-	-	103
1	A	2-21002-4	102
-	-	-	101
3	A	21001-6	100
1	A	21024-6	99
1	A	21055-8	98
1	A	21024-8	97
1	A	3-21001-6	96
-	-	-	95
-	-	-	94
-	-	-	93
3	A	2-21000-8	92
2	A	3-21000-0	91
-	-	-	90
1	A	3-21008-0	89
4	A	21001-3	88
4	A	2-21000-7	87
1	A	373469	86
1	B	370573	85
2	A	21021-4	84
-	-	-	83
-	-	-	82
1	A	2-21000-6	81
1	A	21024-4	80
2	A	1-21030-5	79
3	A	3-21006-8	78
5	A	21055-6	77
1	A	21018-6	76
1	A	4-21006-4	75
-	-	-	74
-	-	-	73
1	A	2-21549-3	72
1	A	6-21029-9	71

QTY	REV	DESCRIPTION	ITEM NO
-	-	-	70
-	-	-	69
-	-	-	68
-	-	-	67
-	-	-	66
-	-	-	65
-	-	-	64
1	D	1-465184-9	63
-	-	LUBRICATOR ASSY	62
1	B	452373-1	61
3	A	21017-6	60
-	-	SCR, RH DRIVE	59
-	-	-	58
-	-	-	57
-	-	-	56
-	-	-	55
-	-	-	54
-	-	-	53
1	B	692653-1	52
1	C	692655-5	51
-	-	AIR FEED CYLINDER SUB-ASSY	50
-	-	AIR FEED VALVE SUB-ASSY	49
1	C	570238	48
1	B	465317-1	47
-	-	BASE MOUNT	46
-	-	BASE PLATE	45
1	B	314893-3	44
1	C	2-689722-3	43
-	-	ANVIL HOLDER	42
-	-	ANVIL	41
1	A	387083	40
1	B	314835-1	39
1	B	314892-1	38
1	B	314891-1	37
1	B	314897-1	36
-	-	SHEAR SPRING	35
-	-	BASE BLOCK	34
-	-	SHEAR, PLATE	33
1	B	314891-1	32
1	B	314897-1	31
-	-	SHEAR, FLOATING	30
-	-	SHEAR, DEFLECTOR	29
-	-	-	28
-	-	-	27
-	-	-	26
-	-	-	25
-	-	-	24
-	-	-	23
1	B	815872-1	22
-	-	BRACKET, FEED MOUNTING	21
-	-	-	20
-	-	-	19
-	-	-	18
-	-	-	17
-	-	-	16
-	-	-	15
-	-	-	14
1	A	811645-1	13
1	B	811644-1	12
1	A	810131	11
1	A	374999	10
-	-	TIP, FEED FINGER	9
-	-	FINGER, FEED	8
-	-	ARM, FEED FINGER	7
1	B	471167	6
1	B	314894-1	5
-	-	TENSION ADJUSTING PLATE	4
-	-	-	3
1	B	314895-1	2
2	B	314896-1	1
1	C	1-456411-2	1
-	-	SHEAR DEPRESSOR	
-	-	SPACER	
-	-	WIRE CRIMPER .140 F	

THIS DRAWING OR ANY CONTAINED INFORMATION FOR AMP INCORPORATED. IT IS SUBJECT TO CHANGE AND THE CONTROLLING ENGINEERING ORGANIZATION SHOULD BE CONTACTED FOR THE LATEST REVISION.

THIS DRAWING IS UNCLASSIFIED DATE 12/28/93 BY AMP INCORPORATED. ALL RIGHTS RESERVED.

LOC A
DIST 66

REV	U/M	DWG SIZE	PART NO	DESCRIPTION	ITEM NO
-1				REVISION OF EACH ASSY NO (WHEN BLANK, USE DWG REVISION)	

REV	U/M	DWG SIZE	PART NO	DESCRIPTION	ITEM NO
-1				REVISION OF EACH ASSY NO (WHEN BLANK, USE DWG REVISION)	

REV	U/M	DWG SIZE	PART NO	DESCRIPTION	ITEM NO
F2			ECN 0150-0373-05	TE 4-05	
F1			ECN 0150-0533-03	TE 5-03	
F			ECN 0150-0413-03	TE 4-03	
E1			ECN 0150-0327-03	TE 3-03	
E			0150-9734-99	TE DEC99	
D			ECN 0150-9328-99	TE 5-99	
C			0150-5322-94	CE 3-94	
B			0150-4493-93	-	
A			EC 0150-4335-93	TB 2-93	
P/F			REVISION RECORD	APP	DATE

DR	CHK	APP	REL	DATE	SCALE	DWG NO	REV	SHEET	REV
P.MATHIAS	C.ERISMAN	1-25-93	2/2/93	1/29/93	1:4	566376		1 OF 1	F2