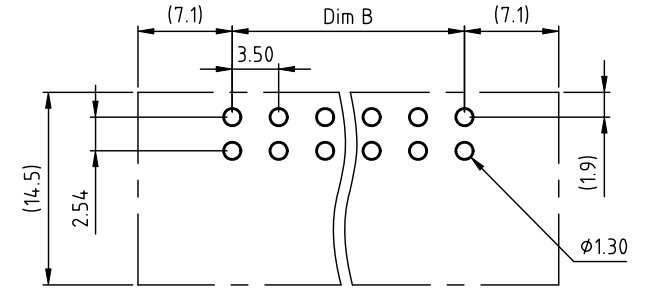
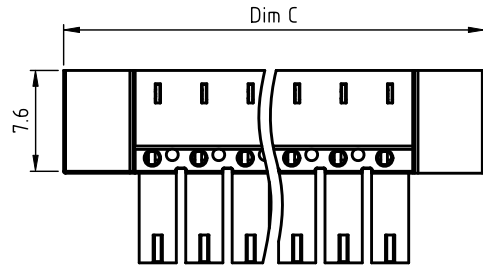
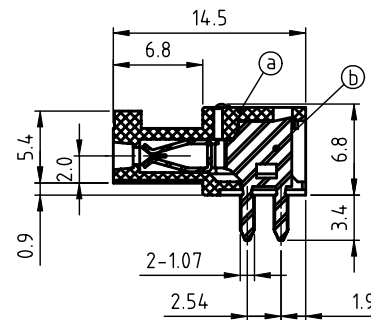
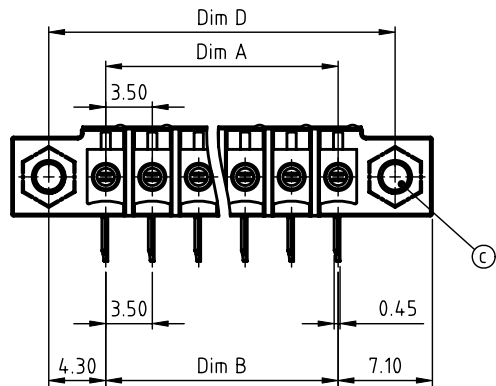


PRODUCT NUMBER	PITCH
V7xx12x100J0G	3.50 mm



RECOMMENDED P.C.B LAYOUT  
TOP VIEW



- Material:
- ItemⒶ Terminal body:Thermoplastic (UL94V-0)
  - ItemⒹ Female contact:PhBz(CuSn),Tin plated
  - ItemⒸ With Flange Nut :Brass M2.5
- Electrical cULus
- Voltage rating: 300V AC
  - Current rating: 4A
  - Withstanding Voltage: 1.6kv
  - Operating temperature: -40°C to +115°C
  - Soldering temperature: 260°C±5°C/5 Sec
  - Safety Approval:

N=Number of poles  
 Dim A=(N-1)×3.5  
 Dim B=(N-1)×3.5  
 Dim C=(N-1)×3.5+14.2  
 Dim D=(N-1)×3.5+8.6

poles	Tolerance
2-5p	±0.10
6-10p	±0.15
11-15p	±0.20
16-20p	±0.25
21-24p	±0.30

PART NO.: V7 xx 12 x 1 00J0 G

	Solid block	No. of poles	Color	RoHS compliant (lead<4%) In copper Alloy
0	Black (RAL9005)			
2	Red (RAL3001/D)			
02	2poles	3	Orange(RAL2011/P)	
03	3poles	4	Yellow(RAL1018/A)	
...	...	5	Green(RAL6018/T)	
24	24poles	6	Blue (RAL5015/A)	
		8	Grey(RAL7035/D)	
		9	White(RAL1102)	
		C	Green(RAL6018/U)	

mat'l. code		surface ASME Y14.5	tolerance ASME Y14.5	projection	product family
ltr ecn no dr date		tolerances unless otherwise specified			TERMINAL BLOCK
angles		X.±0.5	X.X±0.3	MM	title
X*±1"		X.XX±0.1		scale	TERMINAL BLOCK
dr		EVIN ZHONG	043014		PLUGGABLE PCB PLUG, WITH FLANGE, RIGHT ANGLE
enrg		EVIN ZHONG	043014		dwg no
chr		HANKE FENG	043014		V7xx12x100J0G
appd		SHI JUN	043014		sheet 1 of 1
sheet index	revision sheet	A	1		size A4
					type CUSTOMER Drawing