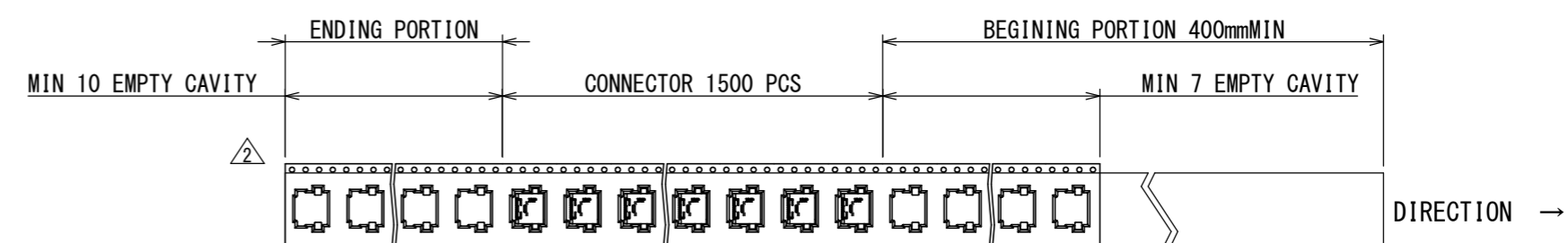
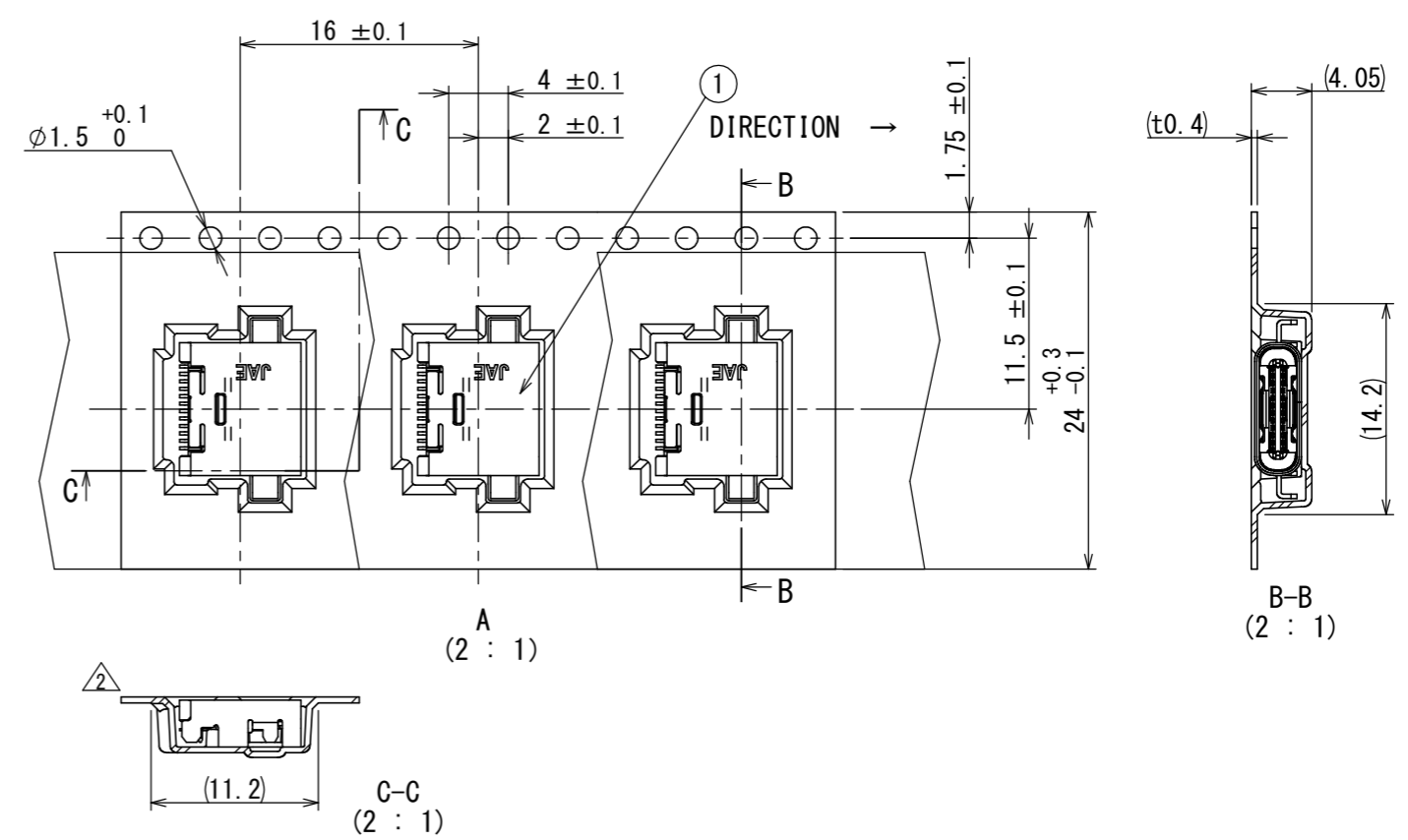
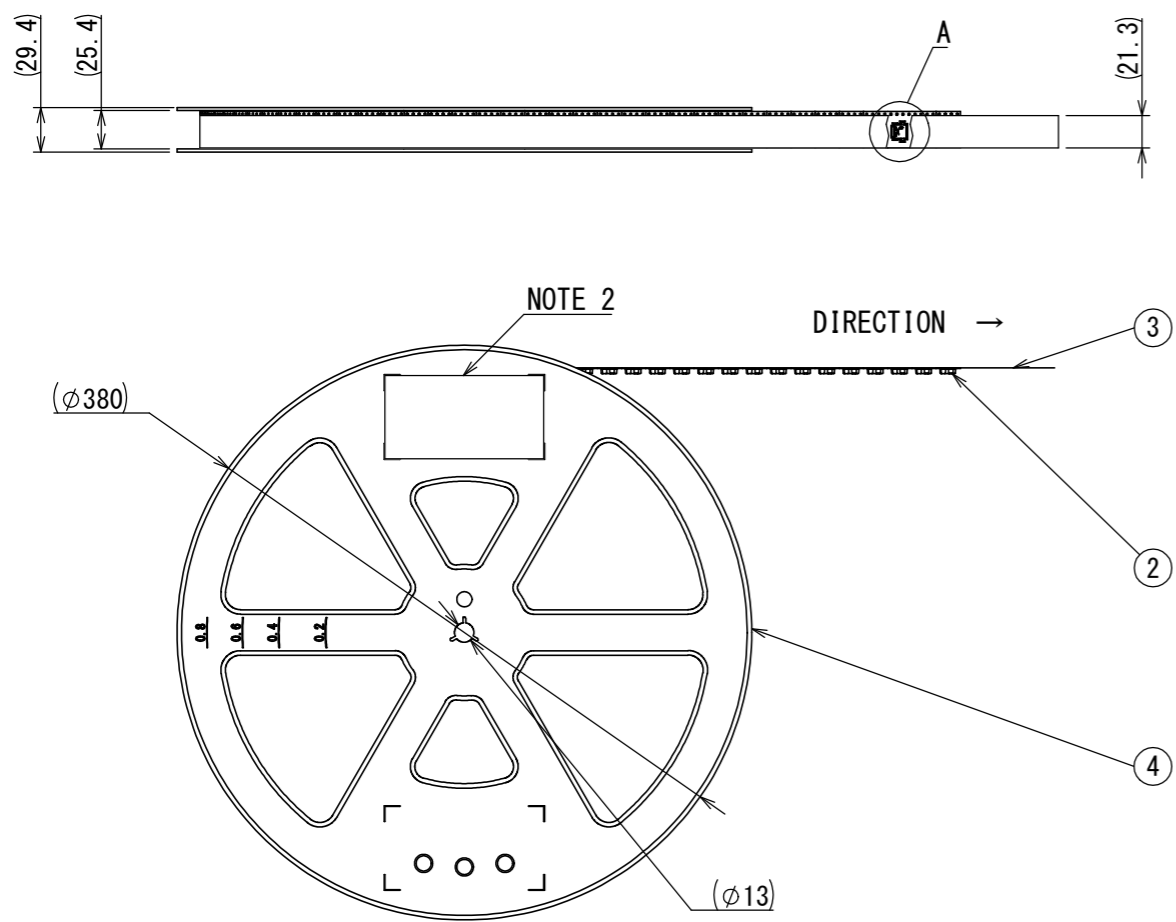


L66911RS  
 (ON DRAWING) (台異図)

版数 VER.	年月日 DATE	CN NO.	変更内容 DESCRIPTION	製図 DR.	担当 CHK.	査閲 APPD.	承認 APPD.
2	18/AUG/2016	017167	CHANGE OF CARRIER TAPE CONFIGURATION.		K. SAITOU	K. UEDA	Y. SAITOU



NOTE1. SUFFIX "R1500" OF PART NUMBER "DX07B024JJ2R1500" INDICATES 1500PCS IN A REEL.  
 2. THE LABEL IN WHICH DESCRIPTION, QTY, LOT NO, EMBOSS CODE AS INDICATED.  
 3. REFER TO THE DRAWING "SJ115996(DX07B024JJ2)" FOR THE CONNECTOR DIMENSIONS.  
 4. REEL FORM MAY DIFFER FROM THE DRAWING.

**現品ラベル/ARTICLE LABEL**      XXXXXXXX    XXXX XXXX XXXX

品名 (DESCRIPTION) DX07B024JJ2R1500      Count: 001  
 図番 (PART No.) SJ115997      JAE001

数量 (Qty) 1,500

ITEM NO  
 Lot No.  
 E Code: TB2416

2015/05/14  
 MADE IN JAPAN  
 QCF-C-0628 (07.12) / JAPS-9006-2

24: TAPE WIDTH      16: FEED PITCH

符号 NO.	名称 DESCRIPTION	個数 QTY.	材料 MATERIAL	仕上 FINISH	備考 REMARKS
4	REEL	1	PS	-	-
3	COVER TAPE	1	PET	-	-
2	CARRIER TAPE	1	PS	-	-
1	CONNECTOR	1500	-	-	SJ115996 (DX07B024JJ2)

仕様書 (SPECIFICATION) JACS-30353	第1版 (ORIGINAL DATE) 14/MAY/2015	尺度 (SCALE) 1:5	シリーズ (SERIES) DX07	日本航空電子工業株式会社 JAPAN AVIATION ELECTRONICS INDUSTRY, LTD.
一般公差 (GENERAL TOLERANCE) 寸法 (DIMENSION) ±0.8 × ±0.4 ×× ±0.1 ××× ±	角度 (ANGLES) ×° ± ×°×' ± 単位 (UNIT) : mm	製図 DR. 担当 CHK. 査閲 APPD. 承認 APPD.	名称 (TITLE) DX07B024JJ2R1500	図面番号 (DRAWING NO.) SJ115997
質量 (MASS)			質量 (MASS)	版数 (VER.) 2

WISDOM承認 2016/08/26

DCF-C-212H(12.08)

