

**Technical specification:**

Rated voltage: IEC 61076-2-101	8pos 30 V
Current rating: IEC 61076-2-101	2 A at 40°C
Insulation resistance: IEC 60512	>=100 MΩ
Pollution degree: IEC 60664-1	3/2
Degree of protection: IEC 60529	IP 67, in mated condition
Temperature range: IEC 60664-1	-30°C ... +80°C
Mating cycles: IEC 60512-9a	>=100

**Materials:**

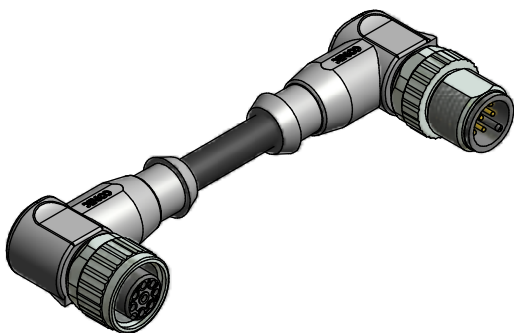
Contact:	CuZn
Contact plating:	Nickel, gold plated
Contact carrier:	TPU GF, UL 94
Sealing:	FPM
Coupling nut/ screw:	GD-Zn, nickel plated
Moulding body:	TPU, UL 94, grey

**Installation specification:**

Recommended torque:	0,6 Nm
Conec installation tool:	Torque wrench: 36-000200 Insert across flats 13: 36-000220

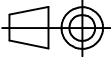

**Contact assignment:**

1) white	5) grey
2) brown	6) pink
3) green	7) blue
4) yellow	8) red



Part no:	Description:	Length L:	Cable:
43-14701	SAL - 12 - RKW8 - RSW8 - 0,3 / K1 / A1090	0,3m	TPU, UL 20549, black, 8x0,25mm <sup>2</sup> Cable: 781-K12800
43-14702	SAL - 12 - RKW8 - RSW8 - 0,6 / K1 / A1090	0,6m	
43-14703	SAL - 12 - RKW8 - RSW8 - 1,5 / K1 / A1090	1,5m	
43-14704	SAL - 12 - RKW8 - RSW8 - 3,0 / K1 / A1090	3m	
43-xxxxx	SAL - 12 - RKW8 - RSW8 - ... / K1 / A1090	x	

D see data sheet cable

DO NOT ALTER CAD DRAWING BY HAND	Directive 2002/95/EC RoHS compliant	 dim. in mm		title: <b>Connecting cable M12x1, female connector angled - male connector angled</b>		
		tolerance of cable: L ≤ 4m: L + 40mm L > 4m: L + 1%				
		THIS DRAWING MAY NOT BE COPIED OR REPRODUCED IN ANY WAY, AND MAY NOT BE PASSED ON TO A THIRD PARTY WITHOUT WRITTEN PERMISSION. OWNERSHIP AND COPYRIGHT OF CONEC GmbH				dwg no: <div style="text-align: center; font-size: 1.2em;">43K1A1302</div>
				date      name drawn 19.01.11      Franz appd. 19.01.11      Mankopf		