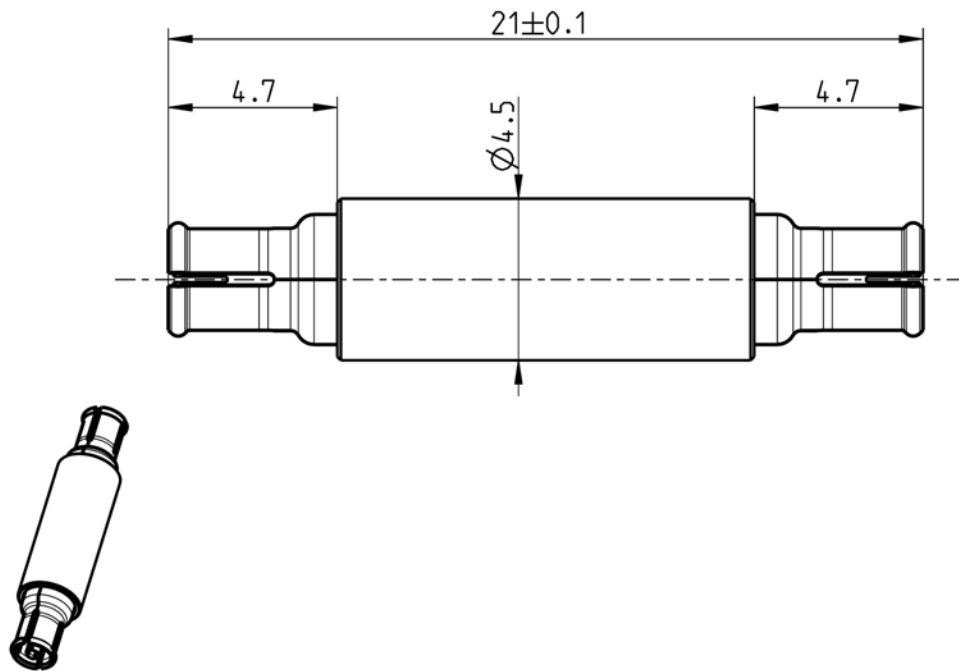


ADAPTOR

Long-wipe SMP JACK – LONG-WIPE SMP JACK

17K117-K03L5



All dimensions are in mm; tolerances acc. ISO 2768 m-H

Interface

According to Rosenberger Longwipe SMP 17K000-000-1a
For better mech. function (self alignment)

Documents

N/A

Material and plating

Connector parts

- Center contact
- Outer contact
- Body
- Dielectric

Material

- Beryllium copper
- Beryllium copper
- Brass
- PTFE

Plating

- AuroDur®, gold plated
- AuroDur®, gold plated
- Flash white bronze over silver (e.g. Optargen®)

ADAPTOR

Long-wipe SMP JACK – LONG-WIPE SMP JACK

17K117-K03L5

Electrical data

Impedance	50 Ω
Frequency	DC to 6 GHz
Return loss	≥ 26 dB, DC to 4 GHz
Insertion loss	≤ 0.05 x √f(GHz) dB, DC to 18 GHz
Insulation resistance	≥ 5 GΩ
Center contact resistance	≤ 6.0 mΩ
Outer contact resistance	≤ 2.0 mΩ
Test voltage	500 V rms
Working voltage	335 V rms
Contact Current	1.2A DC max.

Mechanical data

Mating cycles	
if mating part is smooth bore	≥ 1000
if mating part is limited detent	≥ 500
if mating part is full detent	≥ 100
Center contact captivation	≥ 5 N
Engagement force	
- smooth bore	9 N max.
- limited detent	45 N max.
- full detent	68 N max.
Disengagement force	
- smooth bore	2.2 N min.
- limited detent	9 N min.
- full detent	22 N min.

Environmental data

Temperature range	-65°C to +155°C
Thermal shock	MIL-STD-202, Method 107, Condition B
Vibration	MIL-STD-202, Method 204, Condition B
Shock	MIL-STD-202, Method 213, Condition A
Moisture resistance	MIL-STD-202, Method 106
2002/95/EC (RoHS)	compliant

Tooling

N/A

Suitable cables

N/A

Weight

Weight 1.2 g/pce

While the information has been carefully compiled to the best of our knowledge, nothing is intended as representation or warranty on our part and no statement herein shall be construed as recommendation to infringe existing patents. In the effort to improve our products, we reserve the right to make changes judged to be necessary.

Draft	Date	Approved	Date	Rev.	Engineering change number	Name	Date
Huppenberger	16/12/09	Sa. Krautenbacher	11.03.14	c00	14-0352	T. Krojer	11.03.14
Rosenberger Hochfrequenztechnik GmbH & Co. KG P.O.Box 1260 D-84526 Tittmoning Germany www.rosenberger.de					Tel.: +49 8684 18-0 Fax: +49 8684 18-499 email: info@rosenberger.de		Page 2 / 2