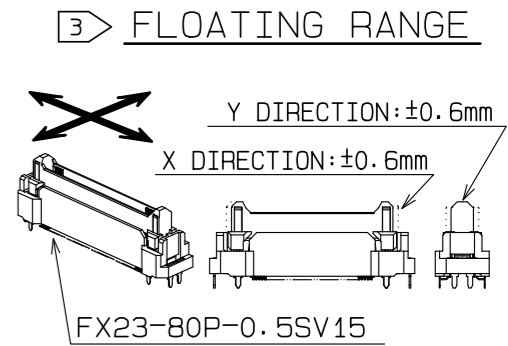
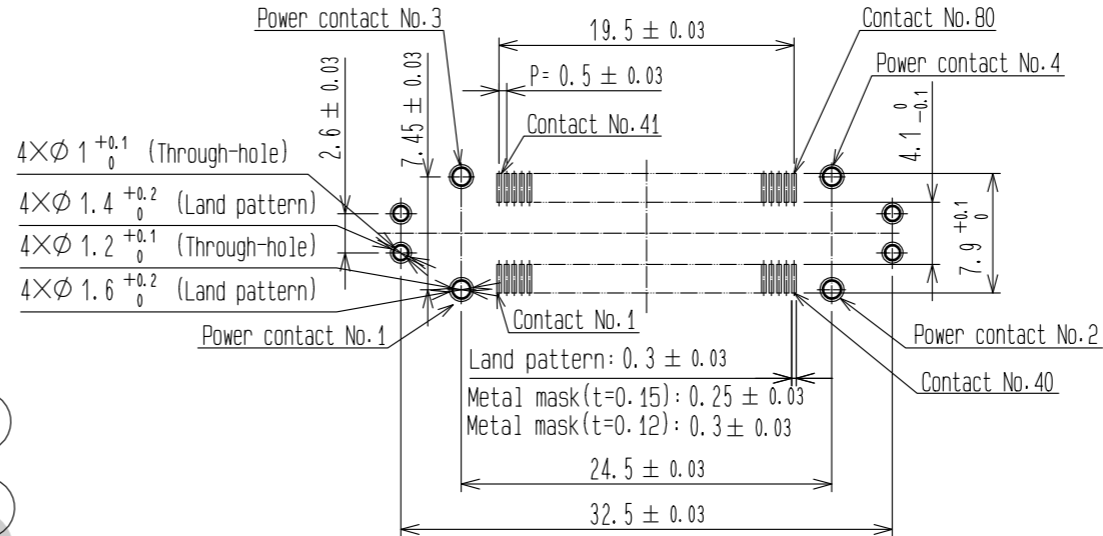
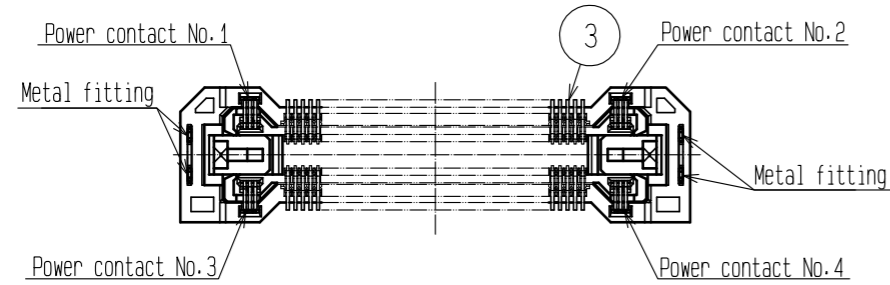
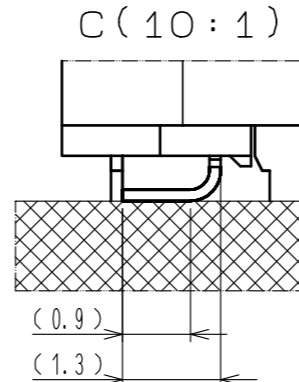
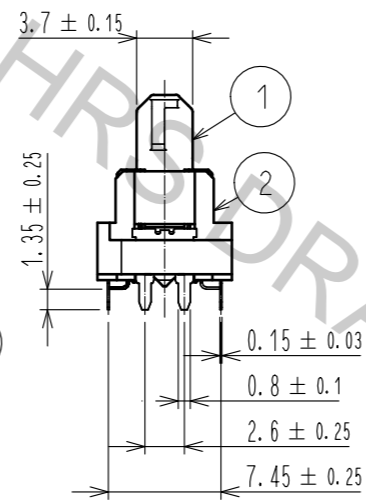
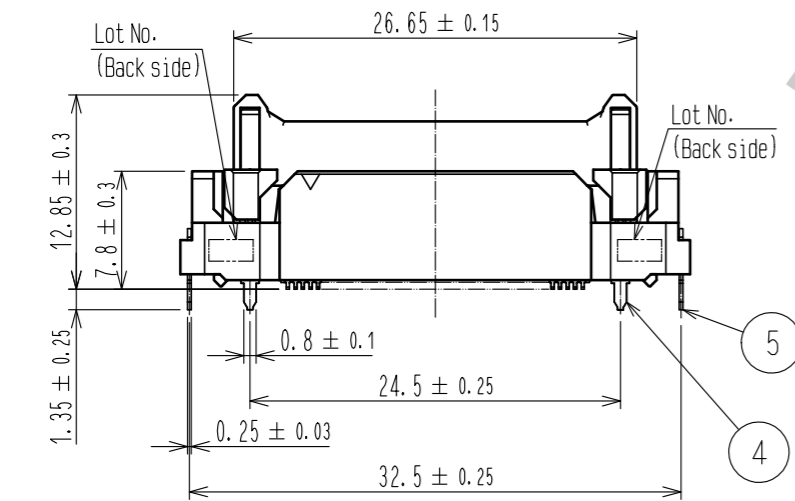
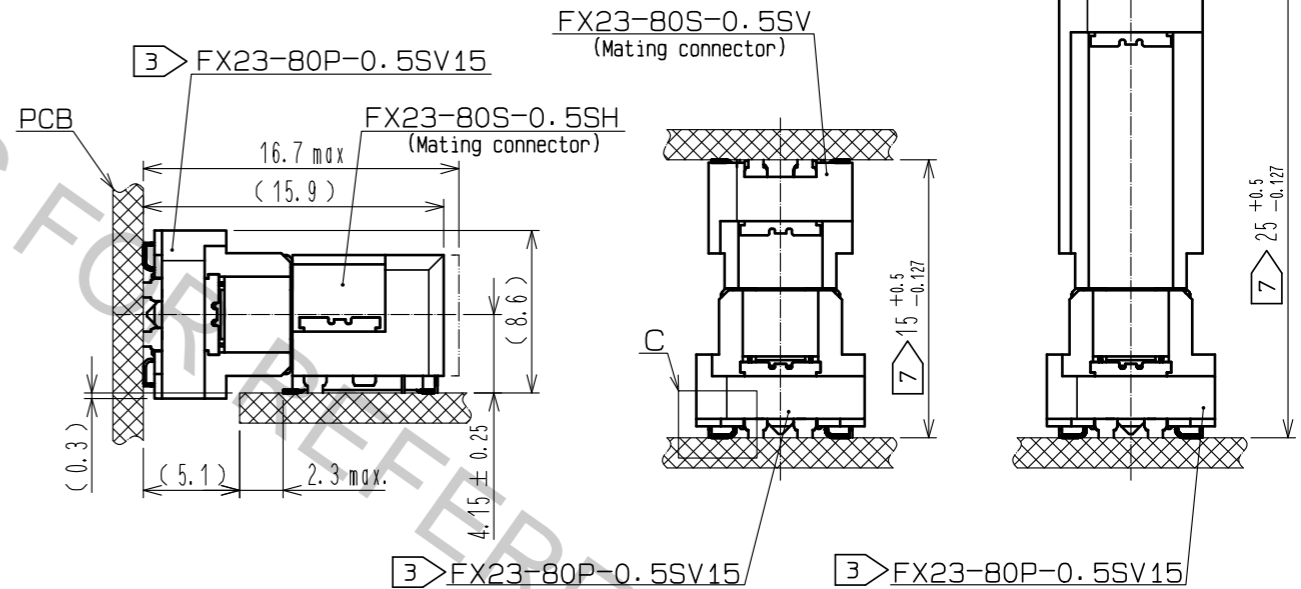


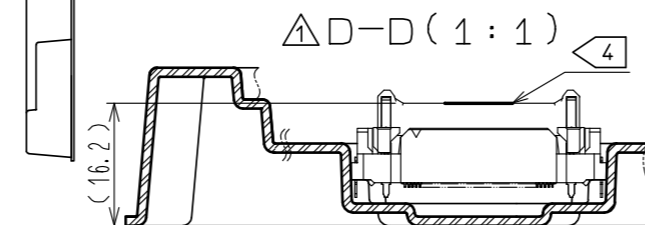
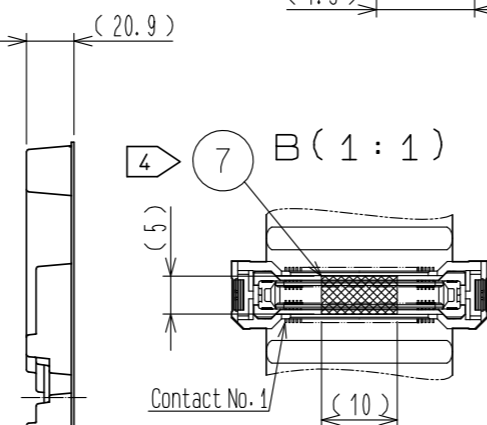
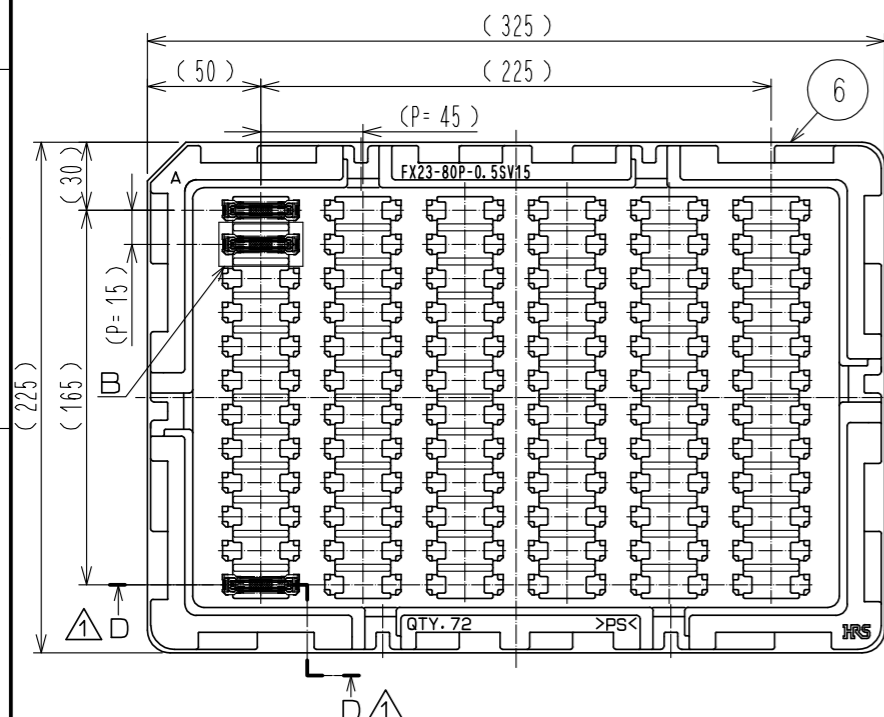
RECOMMENDED LAND PATTERN DIMENSION OF PCB  
(PCB THICKNESS:  $t=1.6\text{mm}$ )



PCB DISTANCE  
(No scale)



② DRAWING FOR PACKING (No scale)



- NOTE 1 Lead CO-Planarity is 0.1mm MAX.  
 ② This is packaged in tray. (72pcs/tray)  
 ③ Floating range of this connector is ±0.6mm MAX.  
 The maximum cycle time of the floating operation is in accordance with the mating cycle of the connector.  
 ④ It shows the vacuum pickup area. Remove the mylar tape before mating connectors.  
 ⑤ Blemish and hit mark can be occurred through out the manufacturing process which doesn't affect quality level.  
 ⑥ The dimensions in parentheses are for references.  
 ⑦ Please use the connectors within the specified PCB distance.

3	COPPER ALLOY	CONTACT AREA: GOLD 0.1 $\mu\text{m}$ LEAD AREA: GOLD 0.03 $\mu\text{m}$ UNDER PLATING: NICKEL 1.3 $\mu\text{m}$	5	BRASS	LEAD AREA: TIN-PLATING 3 $\mu\text{m}$ UNDER PLATING: NICKEL 1 $\mu\text{m}$
2	POLYAMIDE	BLACK UL94V-0	4	COPPER ALLOY	CONTACT AREA: GOLD 0.1 $\mu\text{m}$ LEAD AREA: TIN-PLATING 1 $\mu\text{m}$ UNDER PLATING: NICKEL 1.3 $\mu\text{m}$
1	POLYAMIDE	BLACK UL94V-0			

NO.	MATERIAL	FINISH	REMARKS	NO.	MATERIAL	FINISH	REMARKS
7	POLYIMIDE						(TAPE FOR VACUUM PICKUP)
6	POLYSTYRENE						(TRAY)

UNITS	SCALE	COUNT	DESCRIPTION OF REVISIONS	DESIGNED	CHECKED	DATE
mm	2 : 1	4	DIS-F-00001099	TS.00NO	KN. SHIBUYA	16.02.17
APPROVED : HS. OKAWA			14.10.09	DRAWING NO. EDC-353540-00-00		
CHECKED : KN. SHIBUYA			14.10.09	PART NO. FX23-80P-0.5SV15		
DESIGNED : TS.00NO			14.10.09	CODE NO. CL573-3004-9-00		
DRAWN : TS.00NO			14.10.09			