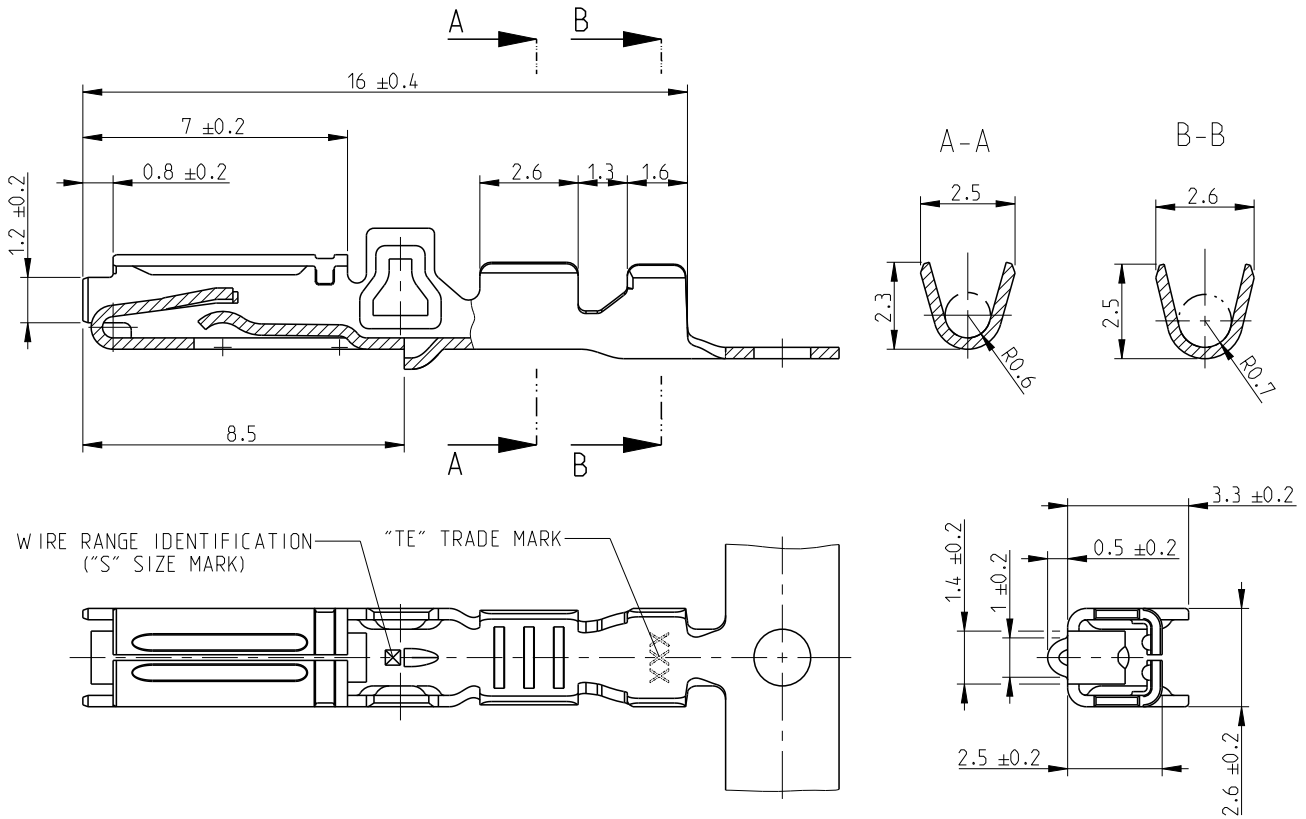


REVISIONS					
P	LTR	DESCRIPTION	DATE	DWN	APVD
	A4	Redrawn to Creo	08MAR2017	JJH	JP



1. DELIVERY STATE: ITEM IS SUPPLIED REELED ON CARTON REEL WITH STRIP PITCH = 11.9±0.2mm  
 STATO DI FORNITURA: AVVOLTI SU BOBINA CON PASSO TRA TERMINALI DI = 11.9±0.2mm

CUSTOMER DRAWING FOR INFORMATION ONLY  
 DISEGNO PER CLIENTE SOLO PER RIFERIMENTO

THIS DRAWING IS UNPUBLISHED. BY - ALL RIGHTS RESERVED. COPYRIGHT © 20



INS. DIA. RANGE (DIAM. ISOLANTE)	WIRE RANGE (RANGO FILO)
Ø1.4 - 1.7mm	0.35 - 0.5mm <sup>2</sup>

PRE-TIN (PRE-STAGNATO)	BRONZO FOSF. (PHOS. BRONZE)	284087-2
PRE-TIN (PRE-STAGNATO)	BRASS (OTTONE)	284087-1
FINISH/COLOUR (FINITURE/COLORE)	MATERIAL (MATERIALE)	PART NUMBER

DIMENSIONS: mm	DWN O. CANUTO 15DEC 1997	MATERIAL	FINISH												
TOLERANCES UNLESS OTHERWISE SPECIFIED: ±0.3	CHK A. BRUNI 15DEC 1997	TE Connectivity													
APVD -	PRODUCT SPEC 108-20175			NAME MULTILOCK .070 SRS REC. CONTACT FOR NEW GENERATION CONNECTOR											
<table border="1"> <tr> <td>0 PLC</td> <td>±</td> </tr> <tr> <td>1 PLC</td> <td>±</td> </tr> <tr> <td>2 PLC</td> <td>±</td> </tr> <tr> <td>3 PLC</td> <td>±</td> </tr> <tr> <td>4 PLC</td> <td>±</td> </tr> </table> ANGLES ±2°	0 PLC	±	1 PLC	±	2 PLC	±	3 PLC	±	4 PLC	±	APPLICATION SPEC 114-20098	SIZE A4	CAGE CODE -	DRAWING NO C=284087	RESTRICTED TO -
0 PLC	±														
1 PLC	±														
2 PLC	±														
3 PLC	±														
4 PLC	±														
	WEIGHT -	CUSTOMER DRAWING		SCALE 5:1	SHEET 1 OF 1	REV A4									