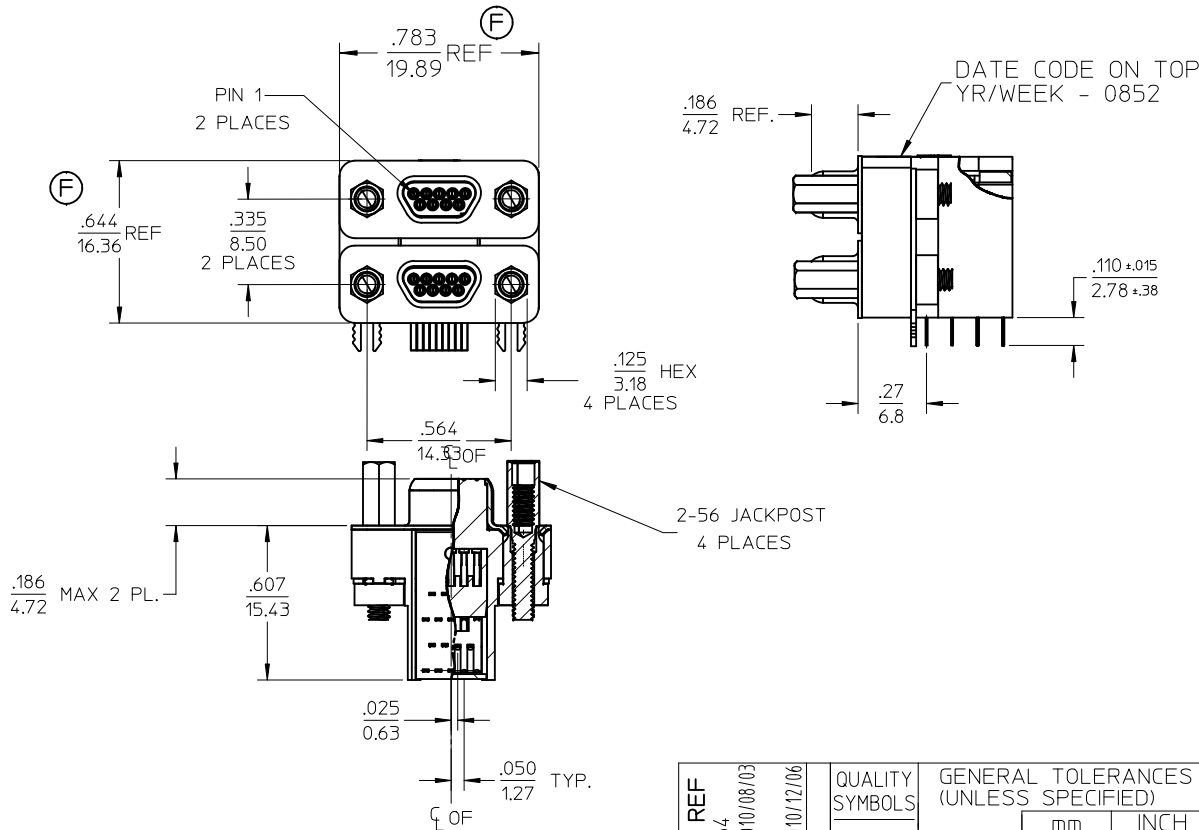
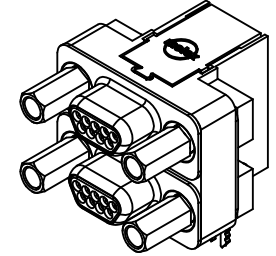
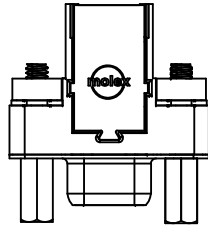


10	9	8	7	6	5	4	3	2	1
MATERIAL NO.	ENGINEERING NO.								
836199003	83619-9003								



SALES DRAWING

- RoHS COMPLIANT
 - FOR PRODUCT SPEC SEE PS-83421-001
 - SEE SHEET 2 OF 2 FOR P.C.B. LAYOUT AND PANEL CUT-OUT DIMENSIONS.
 - MARKING: NONE.
- NOTES UNLESS OTHERWISE SPECIFIED

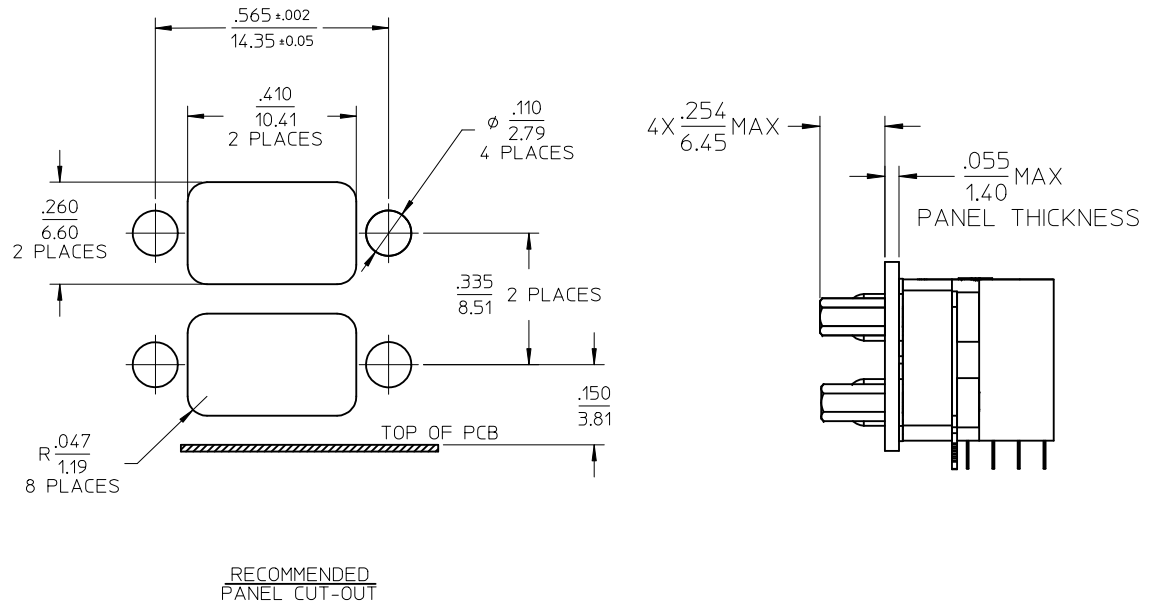
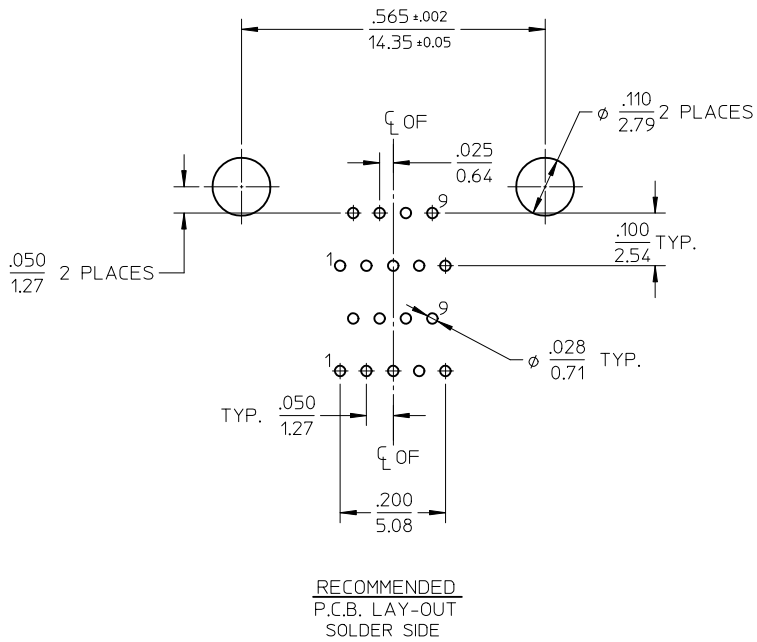
UPDATE DIM TO REF EC NO: WNA2011-0064 DRWN: BRUPERT 2010/08/03 CHYD: APPR: JFMURPHY 2010/12/06 REV	QUALITY SYMBOLS	GENERAL TOLERANCES (UNLESS SPECIFIED)		DIMENSION STYLE		SCALE	DESIGN UNITS	THIRD ANGLE PROJECTION
	$\nabla=0$ $\sphericalangle=0$	mm	INCH	IN/MM	DATE	2:1	INCH	
		4 PLACES \pm ---	\pm ---		JLOMASTR 04/09/20			
		3 PLACES \pm ---	\pm .005		CHECKED BY DATE			
	2 PLACES \pm 0.13	\pm .01		RDEROSS 04/09/27				
	1 PLACE \pm 0.25	\pm ---		APPROVED BY DATE				
	ANGULAR \pm 1/2°			JFMURPHY 2010/12/06				
	DRAFT WHERE APPLICABLE MUST REMAIN WITHIN DIMENSIONS			MATERIAL NO.				
				SEE CHART				
				SIZE A3	THIS DRAWING CONTAINS INFORMATION THAT IS PROPRIETARY TO MOLEX INCORPORATED AND SHOULD NOT BE USED WITHOUT WRITTEN PERMISSION			

DUAL CONN PLG
RT ANG, COMM-D, SIZE 9

molex MOLEX INCORPORATED

DOCUMENT NO. SD-83619-008 SHEET NO. 1 OF 2

10	9	8	7	6	5	4	3	2	1
MATERIAL NO.	ENGINEERING NO.								
836199003	83619-9003								



REDRAWN EC NO: WNA2011-0064 DRWN:BRUPERT 2010/08/03 CHKD: APPR: JFMURPHY 2010/12/06 REV DESCRIPTION	QUALITY SYMBOLS	GENERAL TOLERANCES (UNLESS SPECIFIED) <table border="1"> <thead> <tr> <th></th> <th>mm</th> <th>INCH</th> </tr> </thead> <tbody> <tr> <td>4 PLACES</td> <td>± ---</td> <td>± ---</td> </tr> <tr> <td>3 PLACES</td> <td>± ---</td> <td>± .005</td> </tr> <tr> <td>2 PLACES</td> <td>± 0.13</td> <td>± .01</td> </tr> <tr> <td>1 PLACE</td> <td>± 0.25</td> <td>± ---</td> </tr> </tbody> </table> ANGULAR ± 1/2°		mm	INCH	4 PLACES	± ---	± ---	3 PLACES	± ---	± .005	2 PLACES	± 0.13	± .01	1 PLACE	± 0.25	± ---	DIMENSION STYLE	SCALE	DESIGN UNITS	THIRD ANGLE PROJECTION
			mm	INCH																	
	4 PLACES		± ---	± ---																	
	3 PLACES		± ---	± .005																	
2 PLACES	± 0.13	± .01																			
1 PLACE	± 0.25	± ---																			
		IN/MM	2:1	INCH																	
		DRAWN BY: JLOMASTR DATE: 04/09/20 CHECKED BY: RDEROSS DATE: 04/09/27 APPROVED BY: JFMURPHY DATE: 2010/12/06	TITLE	DUAL CONN PLG RT ANG,COMM-D,SIZE 9																	
		MATERIAL NO. SEE CHART	MOLEX INCORPORATED DOCUMENT NO. SD-83619-008	SHEET NO. 2 OF 2																	