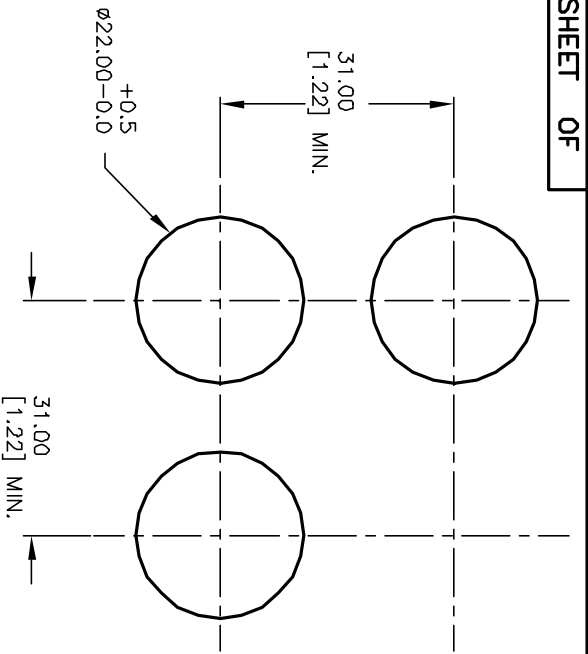


| Item | Qty. | Dwg. No. | Part No.                |
|------|------|----------|-------------------------|
| 1    | 1    | F051701  | 29mm RING FOR LA SERIES |
| 2    | 1    | F060614  | LASEEU110               |
| 3    | 1    | F060295  | 29mm RED LENS           |



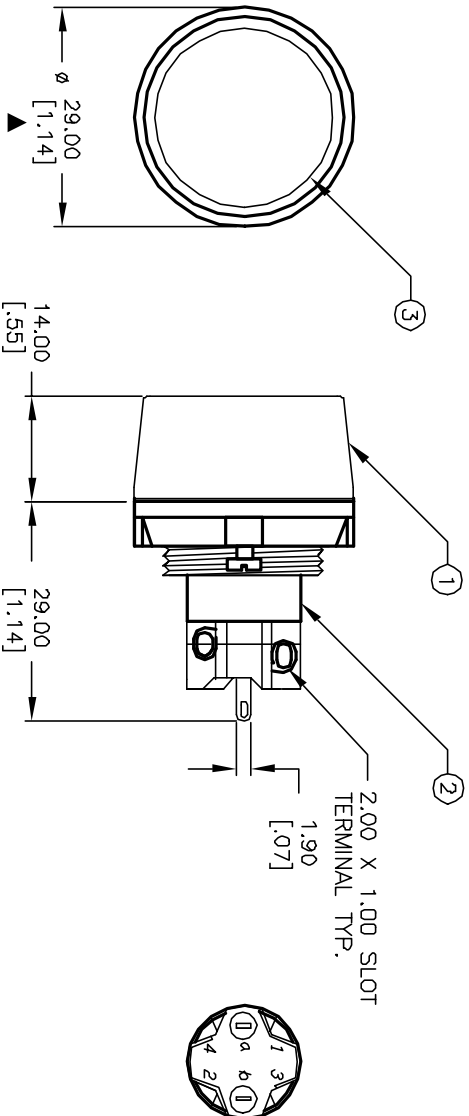
RECOMMENDED PANEL MOUNTING

1 0 1 0 2  
3 0 0 4  
a-L-b (+)

SPST  
CONTACT CONFIGURATION

NOTES:

1. ALL DIMENSIONS IN MM [INCH]
2. GENERAL TOLERANCE: X.X=±0.4  
X:XX=±0.25
3. RATINGS: 250VAC @1A, 2A, 4A, 5A
4. CONTACT MATERIAL: Cu Alloy w/Silver plate.
5. TRAVEL: 3.0mm
6. FEATURES: OIL AND WATERTIGHT SEAL
7. ▲ DENOTES CRITICAL PARAMETER.



**E-SWITCH**®

TITLE  
LASEEU110RED

|      |         |                         |         |      |
|------|---------|-------------------------|---------|------|
| A    | 13144   | RELEASED FOR PRODUCTION | 5/16/03 | AR   |
| REV. | ECN No. | DESCRIPTION             | DATE    | CHKD |

|       |         |    |         |     |
|-------|---------|----|---------|-----|
| SCALE | DATE    | DR | DWG     | REV |
| 1:1   | 5/16/03 | AR | XF0272P | A   |

THE INFORMATION CONTAINED IN THIS DOCUMENT IS PROPRIETARY TO E-SWITCH AND IS NOT TO BE COPIED OR TRANSFERRED