

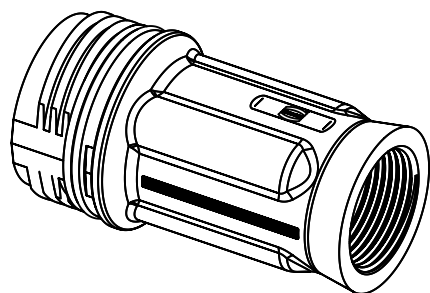
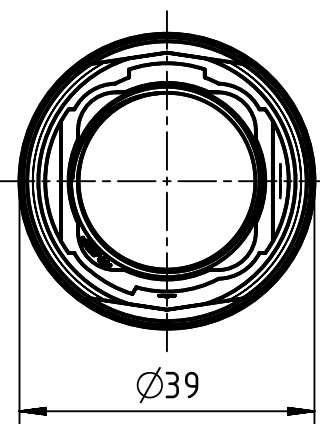
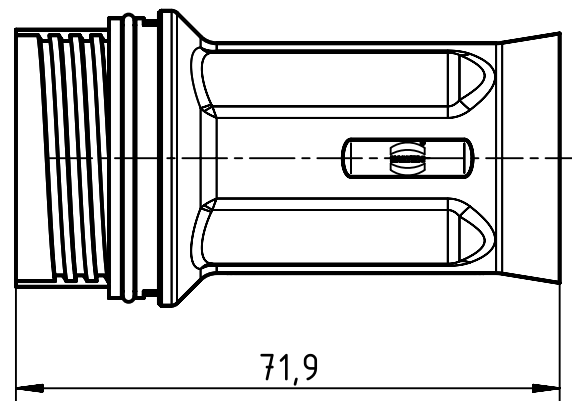
1 2 3 4 5 6


A

B

C

D



	All rights reserved Department EL PD - DE	Created by HOLLERT		Inspected by GARSKE		Standardisation TIEMANNA		Date 2015-10-15		State Final Release	
		Title Han F+B hood cable to cable								Doc-Key / ECM-Nr. 100602326/UGD/001/D 500000095520	
HARTING Electric GmbH & Co. KG D-32339 Espelkamp		Type TB		Number 19 15 503 1701				Rev. D		Page 1/1	