

PLEASE CHECK WWW.MOLEX.COM FOR LATEST PART INFORMATION

Part Number: [63811-2170](#)
Status: **Active**
Description: Tool Kit For Battery Powered Crimp Tool

Documents:
[RoHS Certificate of Compliance \(PDF\)](#)

General

Product Family	Application Tooling
Series	T0102
Function	Crimp
Geographic Area	Global
Level of Automation	Semi-Automatic
Product Name	N/A
Tool Type	Tool Kit
UPC	884982286160

Material Info

Reference - Drawing Numbers

Application Tooling Documents	ATS-638112170
-------------------------------	---------------

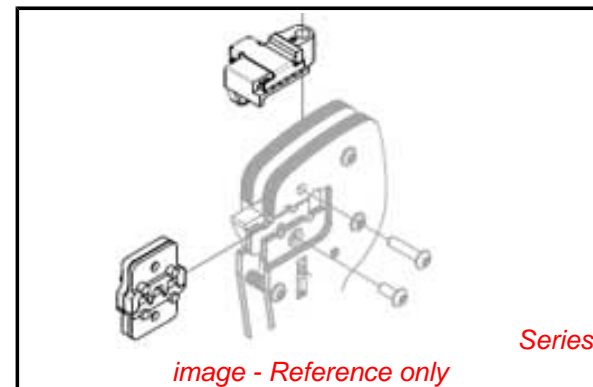


image - Reference only

EU RoHS

**ELV and RoHS
Compliant**

REACH SVHC

Not Reviewed

Low-Halogen Status

Not Reviewed

China RoHS



**Need more information on product
environmental compliance?**

Email productcompliance@molex.com
 For a multiple part number RoHS Certificate of
 Compliance, [click here](#)

Please visit the [Contact Us](#) section for any
 non-product compliance questions.

Search Parts in this Series

[T0102Series](#)

Use With

43178 Sabre™ Male Crimp Terminal 14-18
 or Double 18 AWG Wires placed Vertically

Application Tooling

FAQ

Description	Product #
Sabre™ Crimp Terminal, Male, 14-18 AWG, 4.57mm Insulation Diameter, Reel Packaged, Tin (Sn) Plated Brass Contact, Last-Make Wipe Length, complies with the UL1977 finger proof access requirement	0431786002
Sabre™ Crimp Terminal, Male, 14-16 AWG or double 18-20 AWG, 4.57mm Max.	0431782002

Insulation Diameter,
Reel Packaged, Tin
(Sn) Plated Brass
Contact

This document was generated on 11/27/2012

PLEASE CHECK WWW.MOLEX.COM FOR LATEST PART INFORMATION