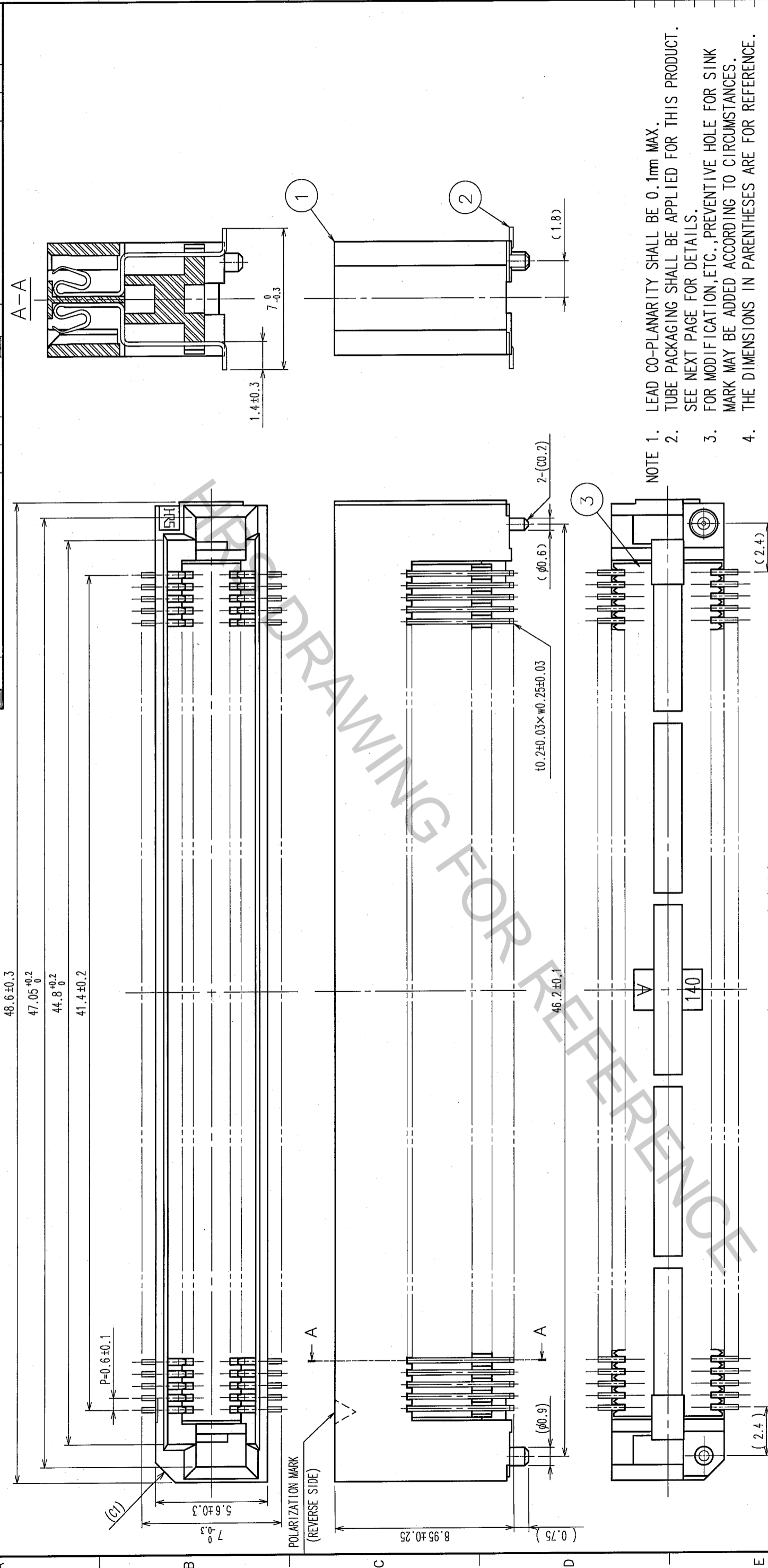


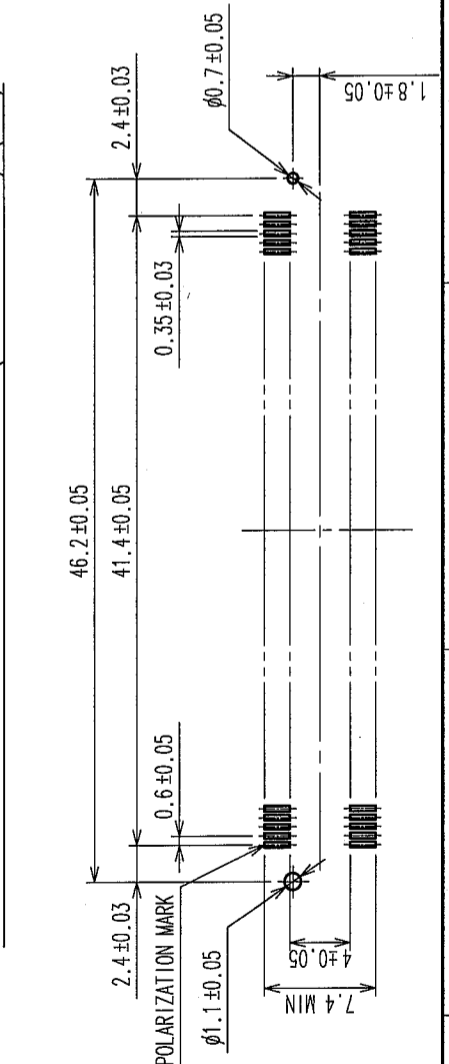
COUNT	DESCRIPTION OF REVISIONS	BY	CHKD	DATE	COUNT	DESCRIPTION OF REVISIONS	BY	CHKD	DATE
△					△				
△					△				
△					△				



NOTE 1. LEAD CO-PLANARITY SHALL BE 0.1mm MAX.  
 2. TUBE PACKAGING SHALL BE APPLIED FOR THIS PRODUCT.  
 3. SEE NEXT PAGE FOR DETAILS.  
 4. FOR MODIFICATION, ETC., PREVENTIVE HOLE FOR SINK MARK MAY BE ADDED ACCORDING TO CIRCUMSTANCES.  
 5. THE DIMENSIONS IN PARENTHESES ARE FOR REFERENCE.

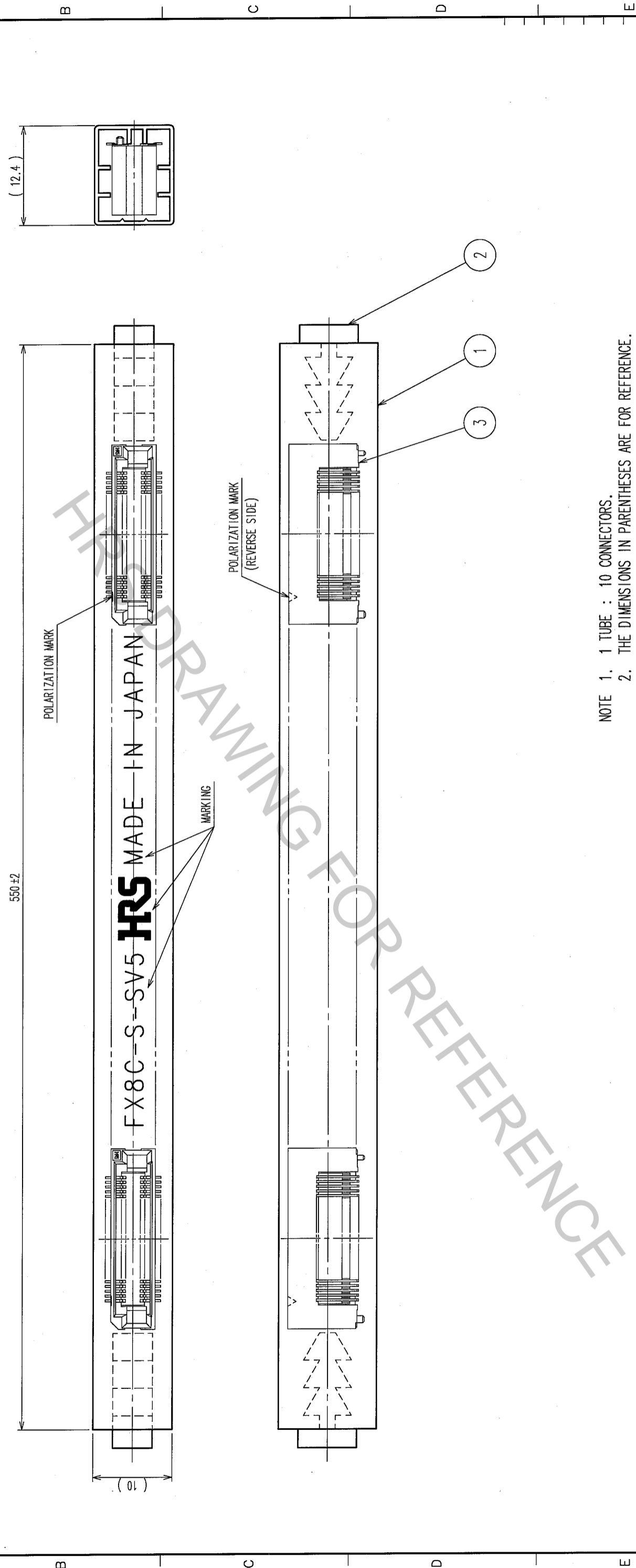
1, 3	PPS	MATERIAL	FINISH, REMARKS	NO.	MATERIAL	DESIGNED	CHECKED	APPROVED	RELEASED
		LIGHT BROWN (UL94V-0)	2	PHOSPHOR BRONZE	K. NAKAMURA	K. OYAMA	H. OKAWA		
NO. (OLD)		FINISH, REMARKS		DRAWN		DESIGNED		APPROVED	
CL				K. NAKAMURA		K. NAKAMURA		H. OKAWA	
				06.01.16		06.01.16		06.01.18	
SCALE		DRAWING NO.		PART NO.		FINISH, REMARKS			
5 : 1		EDC3-150895-21		FX8C-140S-SV5(91)					
UNITS		HIROSE ELECTRIC CO., LTD		CODE NO.					
MM				CL578-0827-6-91					
				1/2					

RECOMMENDED LAND PATTERN DIMENSION OF PCB (MOUNTING SIDE) (2:1)



TO	
PCK	

COUNT	DESCRIPTION OF REVISIONS	BY	CHKD	DATE	COUNT	DESCRIPTION OF REVISIONS	BY	CHKD	DATE
△					△				
△					△				
△					△				



NOTE 1. 1 TUBE : 10 CONNECTORS.  
 2. THE DIMENSIONS IN PARENTHESES ARE FOR REFERENCE.

2		POLYVINYL CHLORIDE (STOPPER)		3		(CONNECTOR)	
NO.	MATERIAL	FINISH, REMARKS	NO.	MATERIAL	FINISH, REMARKS	NO.	MATERIAL
			1	POLYVINYL CHLORIDE	(TUBE)		
CODE NO. (OLD)	CL		DRAWN	DESIGNED	CHECKED	APPROVED	RELEASED
			K. NAKAMURA	K. NAKAMURA	K. Ogawa	H. Okawa	
			06.01.16	06.01.16	06.01.18	06.01.18	
SCALE	FREE		DRAWING NO.	PART NO.			
UNITS	MM		EDC3-150895-21	FX8C-140S-SV5(91)			
				CODE NO.		CL578-0827-6-91	
						2	

TO	
PCK	



HIROSE ELECTRIC CO., LTD