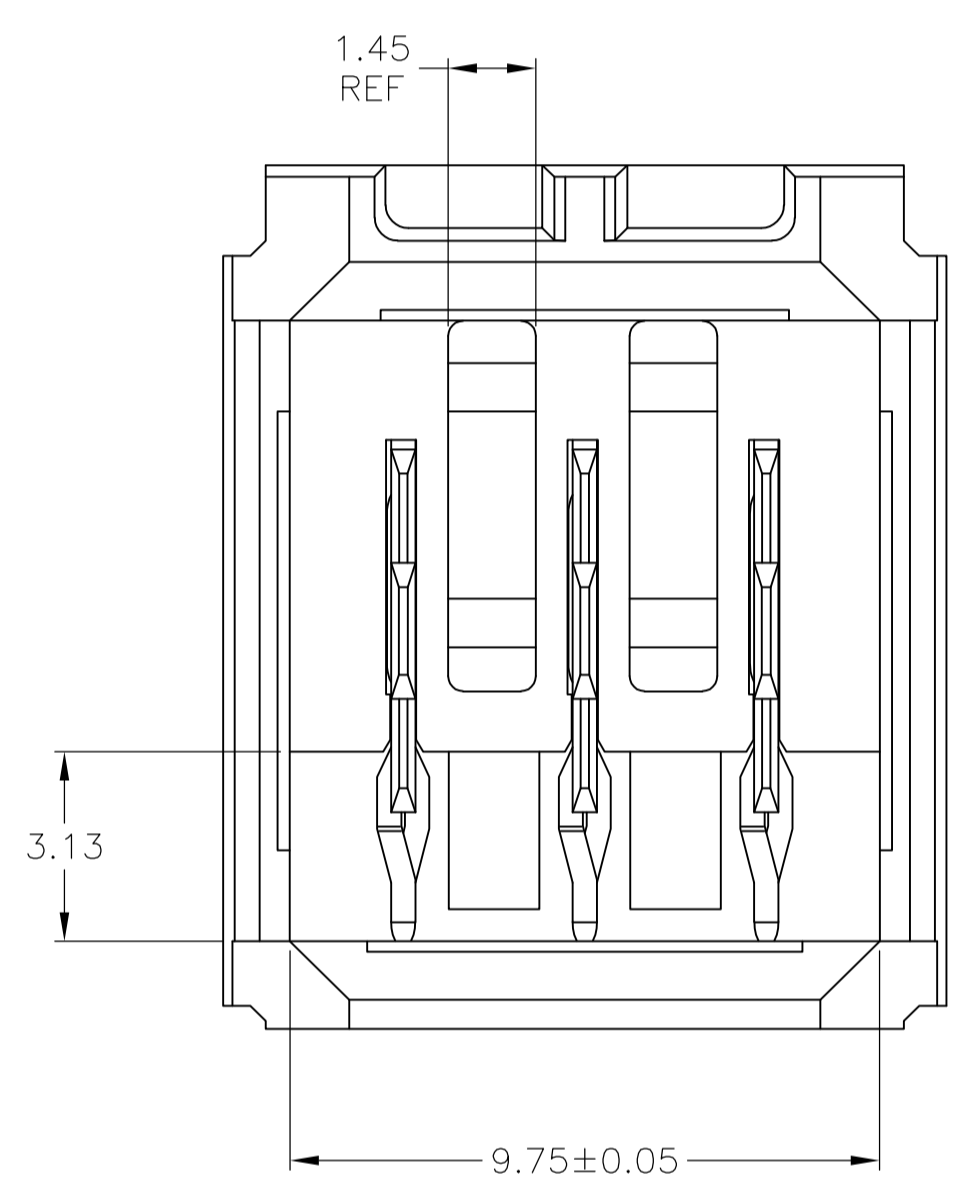
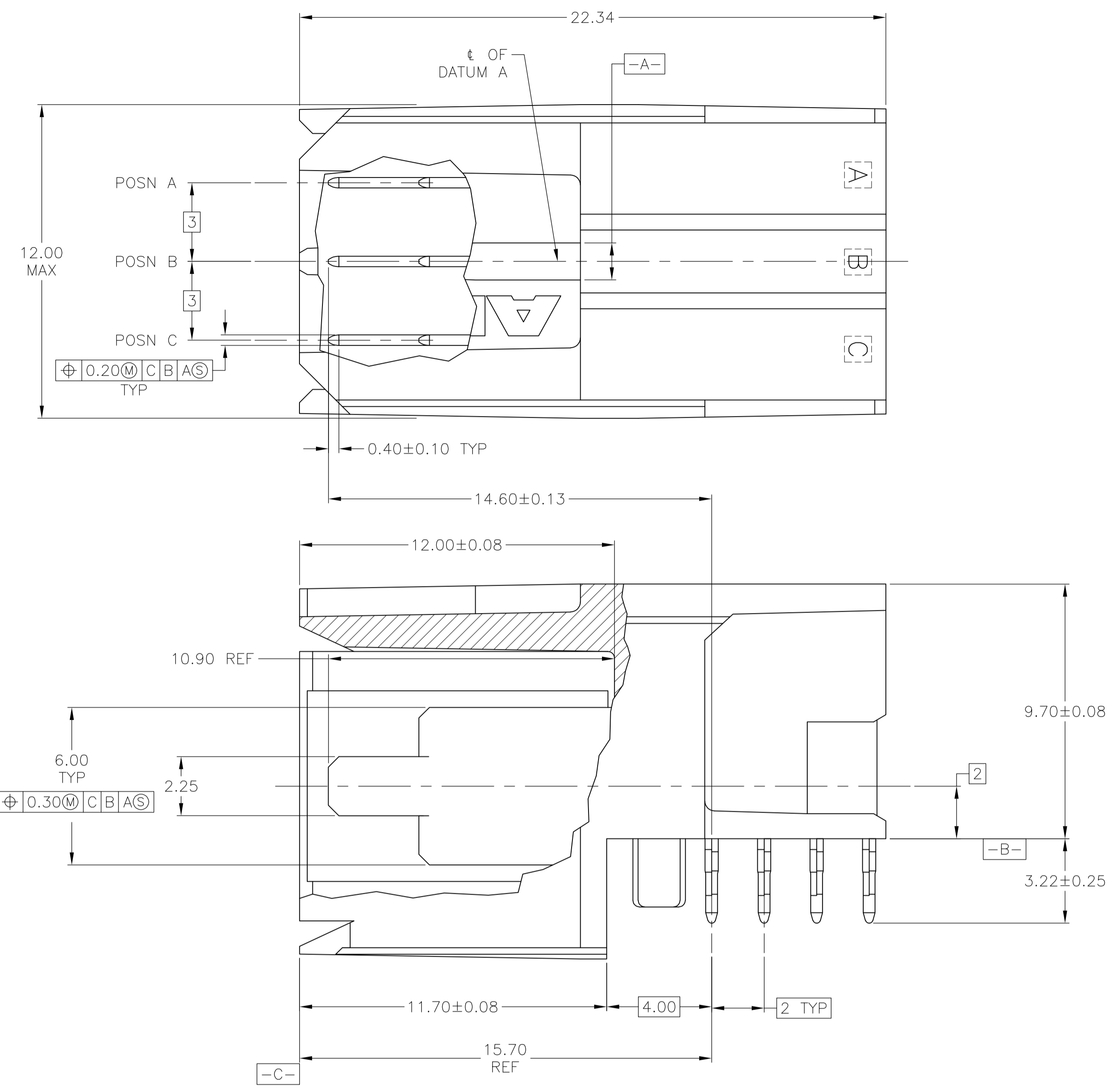
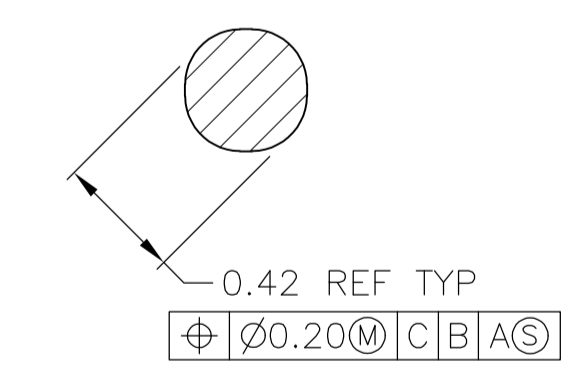
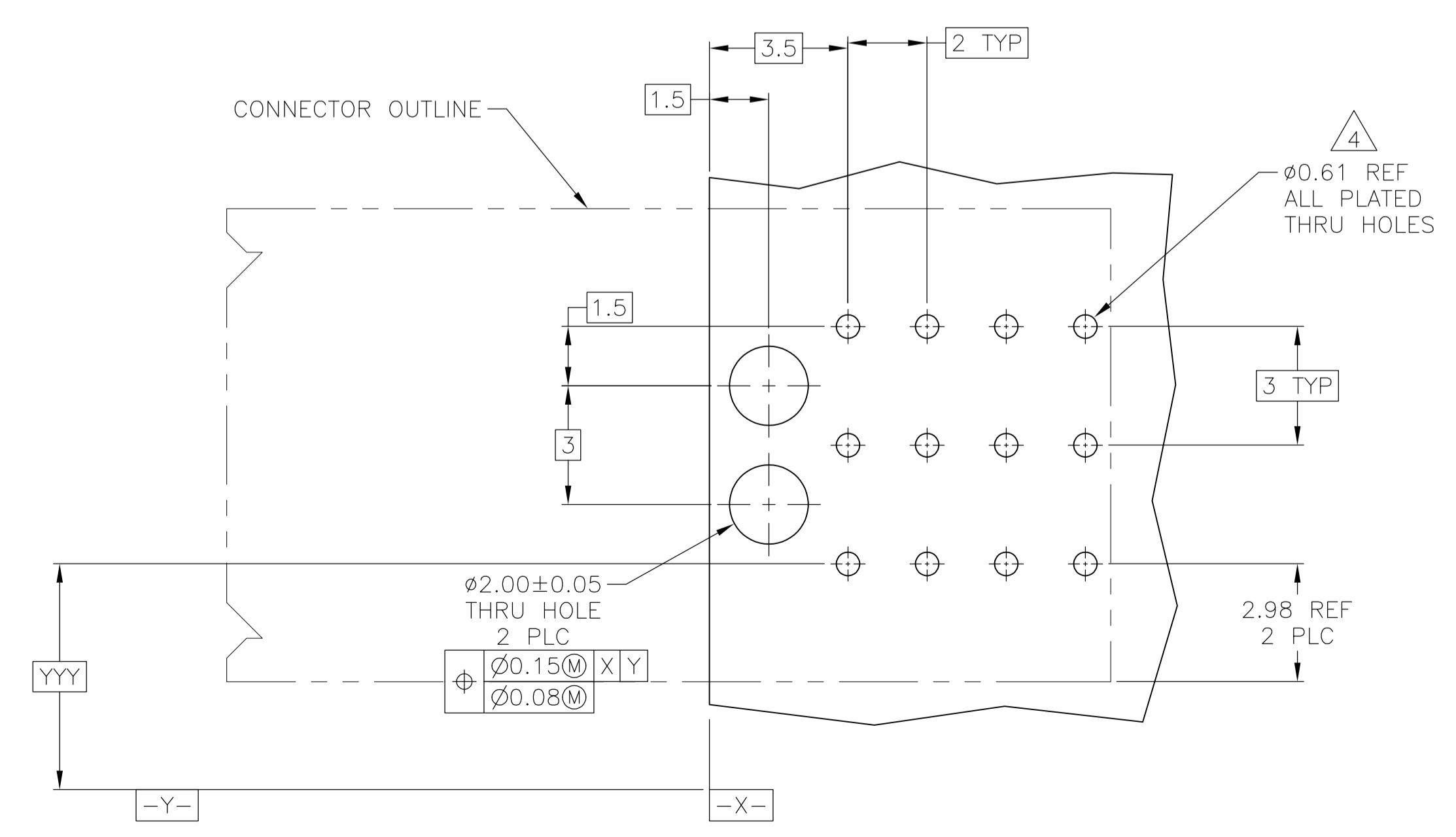
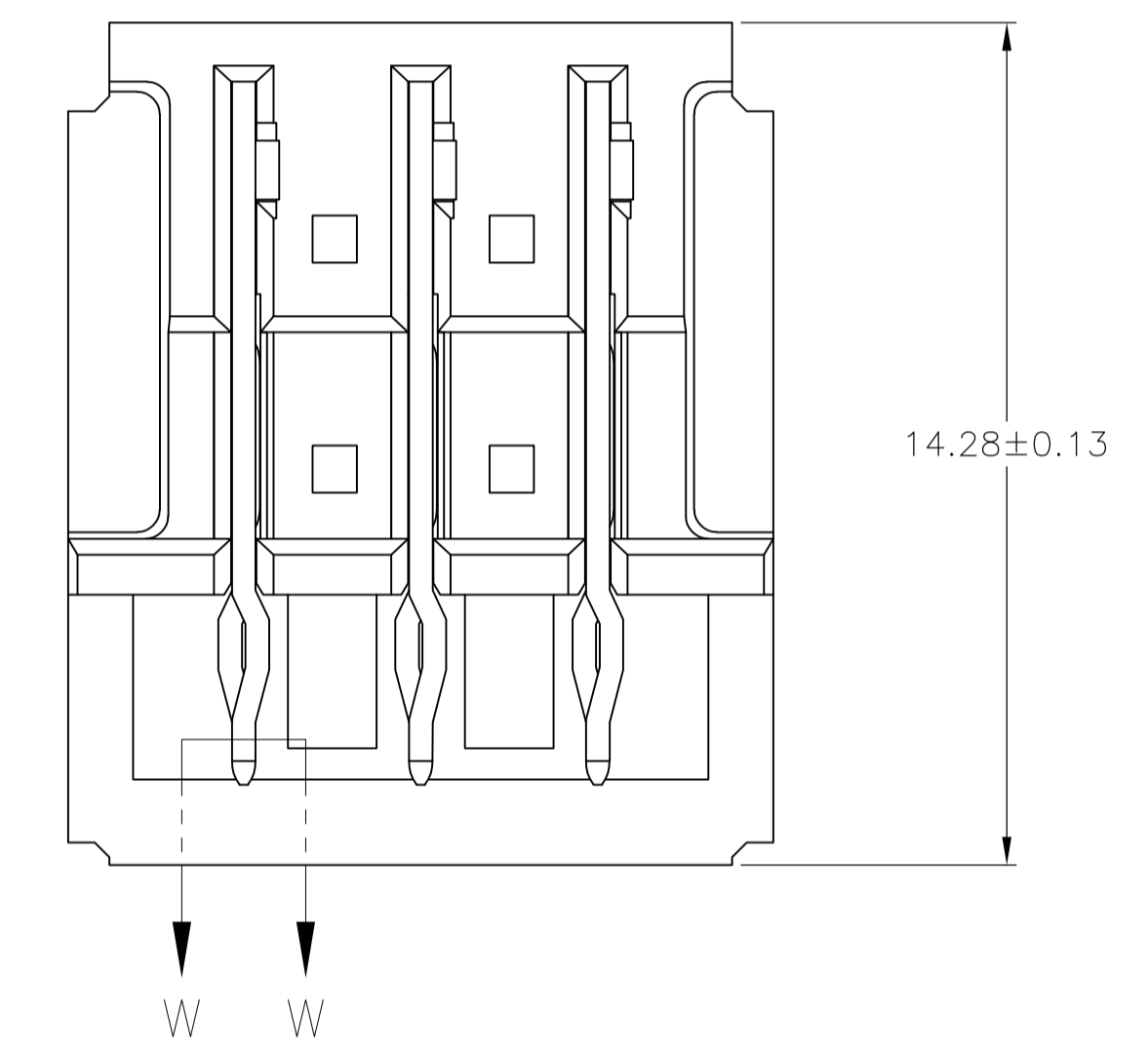


LOC		DIST		REVISIONS			
AD	00	P	LTR	DESCRIPTION	DATE	DW	APVD
C				REVISED PER ECO-11-000045	05JAN11	DH	DY



- 1 HOUSING: POLYESTER, GRAY. UL 94V-0.
CONTACT: PHOSPHOR BRONZE.
- 2 CONTACT: MATING AREA: 1.27µm MIN GOLD OR 0.08µm MIN GOLD OVER 0.76µm MIN PALLADIUM-NICKEL.
ACTION PIN AREA: 0.5µm MIN TIN PLATE,
ALL OVER 1.27µm MIN NICKEL UNDERPLATE.
- 3 CONTACT LUBRICATION WITH BELCORE APPROVED LUBRICANT. TECHNICAL REFERENCE: TR-NWT-001217 ISSUE 1, SEPT 1992.
- 4 REFERENCE APPLICATION SPEC 114-1103 FOR RECOMMENDED PLATED THRU HOLE DIAMETER AND PLATING THICKNESS.
- 5 CURRENT RATING 10A/CONTACT PER PRODUCT SPEC 108-1651.



SECTION W-W
SCALE 40:1

RECOMMENDED PCB HOLE LAYOUT

5223976-1
PART NUMBER

THIS DRAWING IS A CONTROLLED DOCUMENT.		DWG: B. CARDO 29OCT04	Tyco Electronics Corporation Harrisburg, PA, 17105-3608	
DIMENSIONS:		CHK: R. PATTERSON 29OCT04	NAME: R. PATTERSON 29OCT04	
TOLERANCES UNLESS OTHERWISE SPECIFIED:		PRODUCT SPEC		
0 PLC	± -	APPLICATION SPEC		
1 PLC	± 0.13	SIZE: A1		
2 PLC	± -	CASE CODE: 00779		
3 PLC	± -	DRAWING NO: 5223976		
4 PLC	± -	RESTRICTED TO: -		
ANGLES	± -	WEIGHT: -		
MATERIAL: 1	FINISH: 2, 3	CUSTOMER DRAWING		
		SCALE: 8:1	SHEET: 1 OF 1	REV: C