

AS5510

Errata Document of Datasheet [v1-07] 2015-Feb-27

This Errata Sheet is valid for AS5510 integrated circuits. It is only valid for parts with the datecodes listed below. Parts with other datecodes are not affected.

Deviation 1

Pin A1 indicator marking

Affected Parts:	Ordering #	Datecode#	Datecode#4-character
	AS5510-DWLT	1033JAH	B32H
	AS5510-DWLM		

Description:

All parameters are according to the AS5510_Datasheet, Rev1-23 except the Pin A1 indicator marking position. Details are shown in Figure 1.

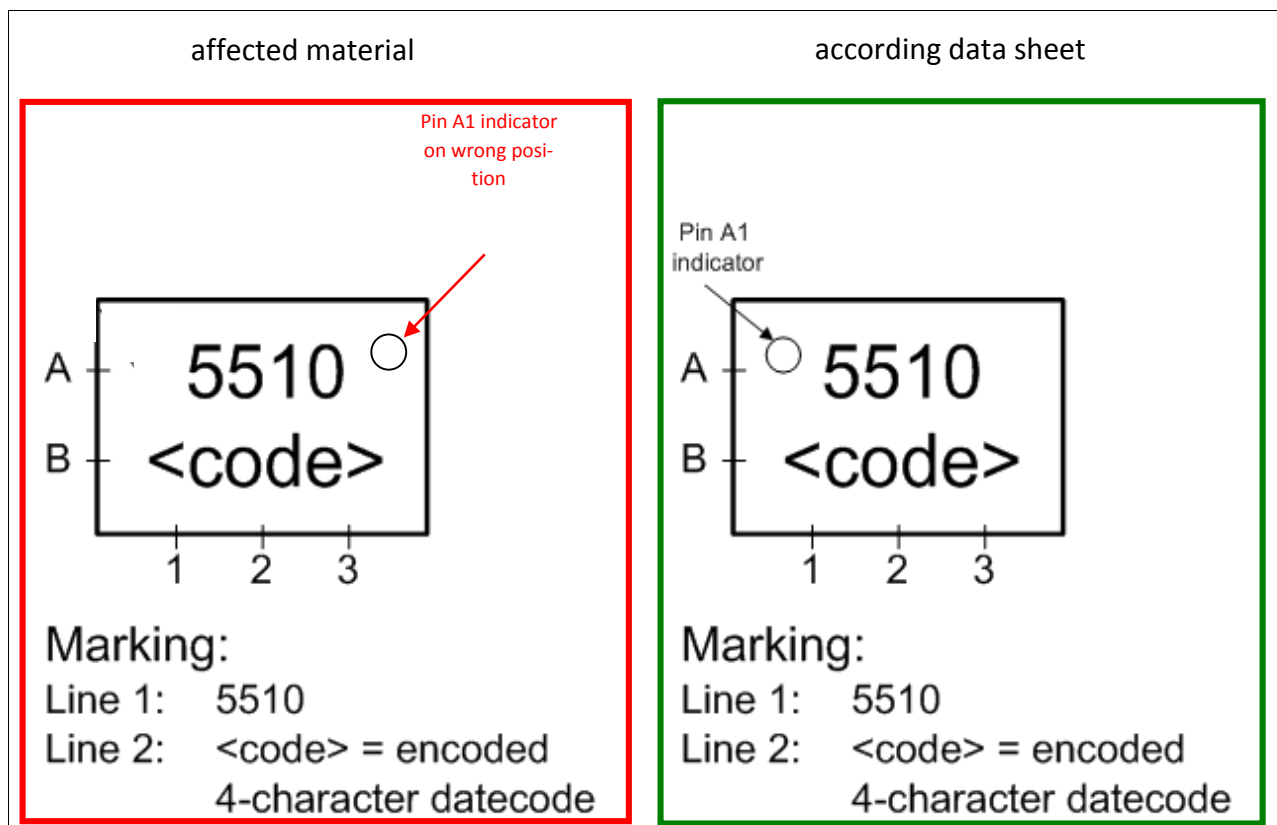


Figure 1: Pin A1 Indicator Marking

Workaround:

Consider for placing the affected parts.

Deviation 2

Test pin issue

Affected Parts:	Ordering #	Datecode#	Datecode#4-character
	AS5510-DWLT AS5510-DWLM AS5510-DSOT AS5510-DSOM	1013JAD, 1019JAB, 1033JAH, 1106JAG, 1123JAJ, 1118JAI, 1123JAF, 1310JAD, 1308JAA, 1304JAK, 1326JAA, 1319JAB, 1317JAC, 1317JAA, 1334RAA, 1341RAA, 1350JAC, 1333RAB, 1341RAB, 1416JAB, 1407JAD, 1412JAB	A0J5, BCER, B32H, DW84, EUT3, EKYI, EUTZ, KP6T, KL8I, KECC, LLSI, K7YR, K30K, K30I, M06, NHU, NXE, MW68, NFN, NXF, OCJ3, NUR5, N4NN, JAAR, JAII

Description:

Connecting the pin Test to ground for affected parts could lead to startup problems of the device especially at cold temperature caused by the internal test structure. In this case, the device might not power-up at lower temperatures. This effect is only visible if the device is powered down for more than 400ms before a power-up. This is only related to the start-up sequence. Once the device is powered-up, the device is working failure-free unaffected from possible temperature changes.

Workaround:

This issue can be avoided for the affected parts by not connecting the test pin to ground. The recommended workaround is to use a pull-down resistor or a capacitor connected between the Test pin and ground pin as shown below in Figure 2.

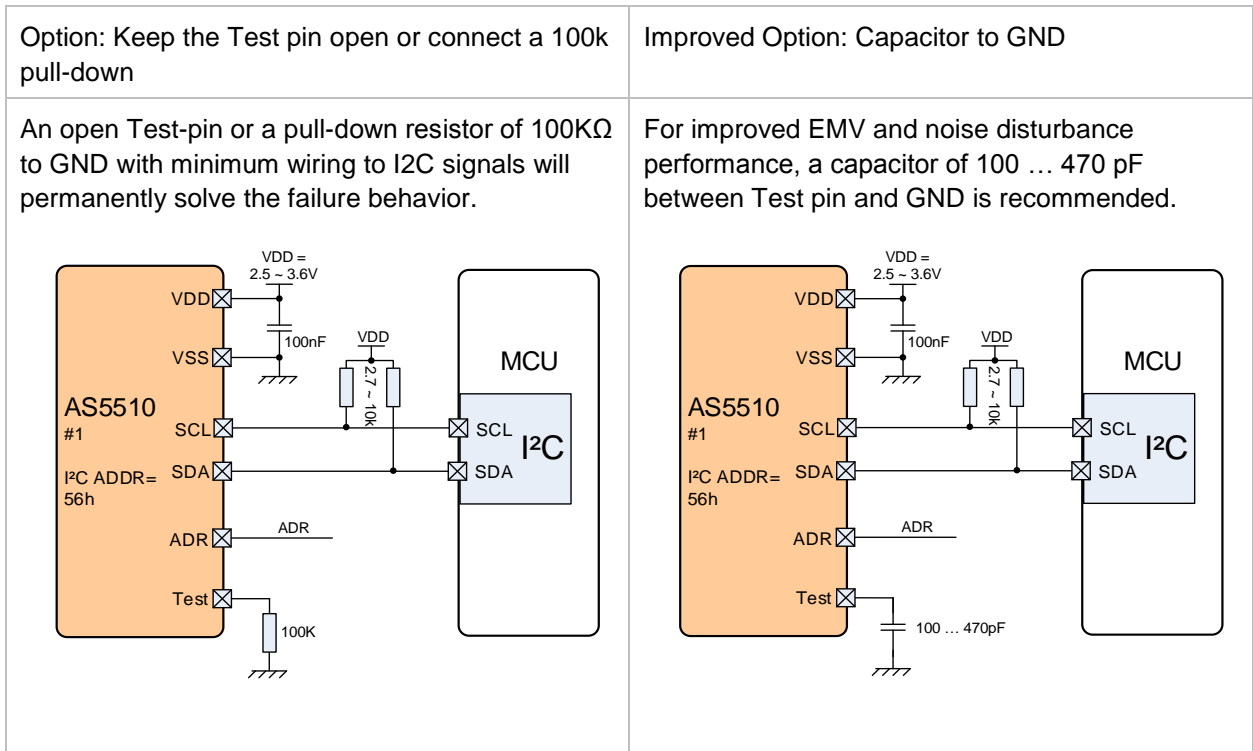


Figure 2: Recommended Workarounds

Copyrights & Disclaimer

Copyright ams AG, Tobelbader Strasse 30, 8141 Unterpemstaetten, Austria-Europe. Trademarks Registered. All rights reserved. The material herein may not be reproduced, adapted, merged, translated, stored, or used without the prior written consent of the copyright owner.

Devices sold by ams AG are covered by the warranty and patent indemnification provisions appearing in its General Terms of Trade. ams AG makes no warranty, express, statutory, implied, or by description regarding the information set forth herein. ams AG reserves the right to change specifications and prices at any time and without notice. Therefore, prior to designing this product into a system, it is necessary to check with ams AG for current information. This product is intended for use in commercial applications. Applications requiring extended temperature range, unusual environmental requirements, or high reliability applications, such as military, medical life-support or life-sustaining equipment are specifically not recommended without additional processing by ams AG for each application. This product is provided by ams AG "AS IS" and any express or implied warranties, including, but not limited to the implied warranties of merchantability and fitness for a particular purpose are disclaimed.

ams AG shall not be liable to recipient or any third party for any damages, including but not limited to personal injury, property damage, loss of profits, loss of use, interruption of business or indirect, special, incidental or consequential damages, of any kind, in connection with or arising out of the furnishing, performance or use of the technical data herein. No obligation or liability to recipient or any third party shall arise or flow out of ams AG rendering of technical or other services.

Contact Information:

Headquarters

ams AG
Tobelbaderstrasse 30
8141 Unterpemstaetten
Austria, Europe

Tel: +43 (0) 3136 500 0

Website: www.ams.com

Buy our products or get free samples online at:

www.ams.com/ICdirect

Technical Support is available at:

www.ams.com/Technical-Support

Provide feedback about this document at:

www.ams.com/Document-Feedback

For further information and requests, e-mail us at:

ams_sales@ams.com

For sales offices, distributors and representatives, please visit:

www.ams.com/contact