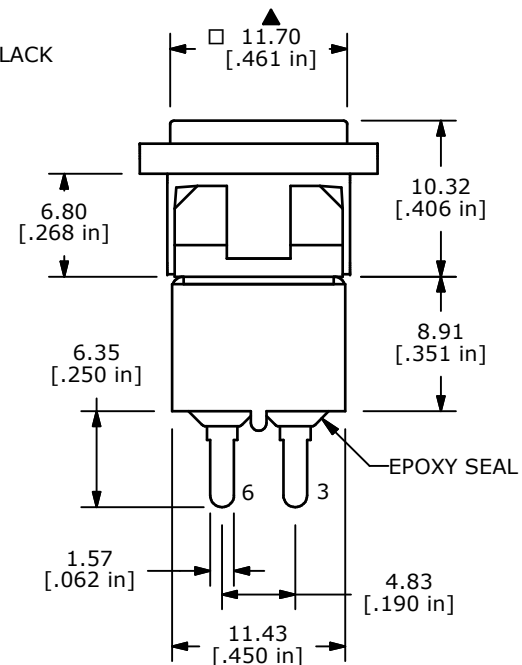
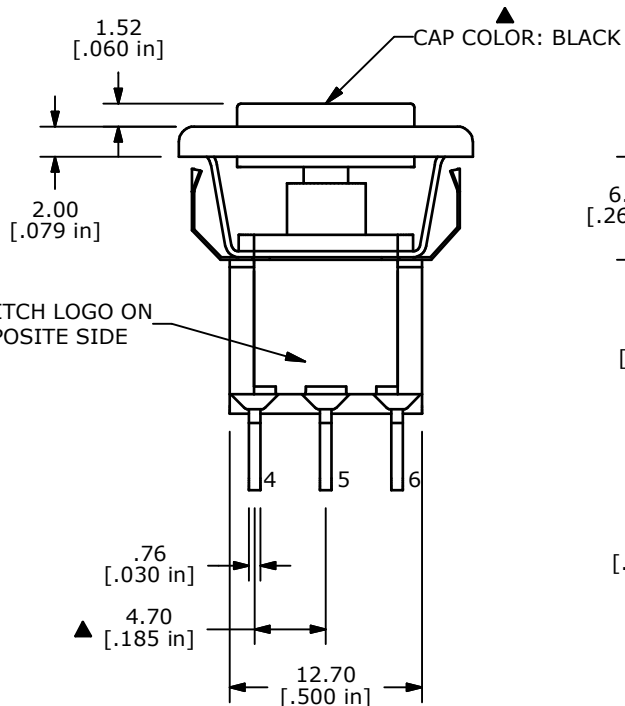
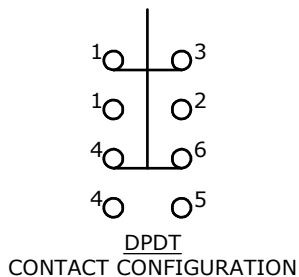


| SWITCH FUNCTION | |
|-----------------|----------|
| POS. 1 | POS. 2 |
| | |
| ON | (ON) |
| 1-3, 4-6 | 1-2, 4-5 |

(ON)=MOMENTARY

| PANEL THICKNESS | (X) DIM. |
|-----------------|---------------|
| 1.19 - 2.30 | 15.70 |
| 2.31 - 3.18 | 15.75 - 15.88 |



- NOTE:
- ALL DIMENSIONS IN MM [INCH]
 - GENERAL TOLERANCE: X.X=±0.4
X.XX=±0.25
 - TERMINAL NUMBERS FOR REF ONLY
 - PLATING MATERIAL: GOLD
 - RATING: 0.4VA MAX @ 20 VAC OR VDC
 - ELECTRIC LIFE: 50,000 MAKE-AND-BREAK CYCLES AT FULL LOAD
 - INSULATION RESISTANCE: 1,000 MEGA-OHM MIN.
 - ACTUATION FORCE: 300 ± 100gf
 - TRAVEL: 1.0 ± 0.2mm
 - CONTACT RESISTANCE: 20 mOHM MAX.
TYPICAL @ 2-4 VDC
 - DIELECTRIC STRENGTH: 1,000 V RMS @ SEA LEVEL.
 - OPERATING TEMP.: -30°C to 85°C
 - ▲ DENOTES CRITICAL PARAMETER.
 - 2002/95/EC (ROHS) COMPLIANT.



TITLE 700DP7M3REAP2BLKBLK

| | | | | |
|-----|--------|-------------------------|--------|-----|
| A | 21194 | RELEASED FOR PRODUCTION | 8/7/13 | EBP |
| REV | PCR NO | DESCRIPTION | DATE | BY |

THE INFORMATION CONTAINED IN THIS DOCUMENT IS PROPRIETARY TO E-SWITCH AND IS NOT TO BE COPIED OR TRANSFERRED

| | | | | |
|-------|----------|----|---------|-----|
| SCALE | DATE | DR | DWG | REV |
| 2:1 | 8/7/2013 | TN | T711090 | A |