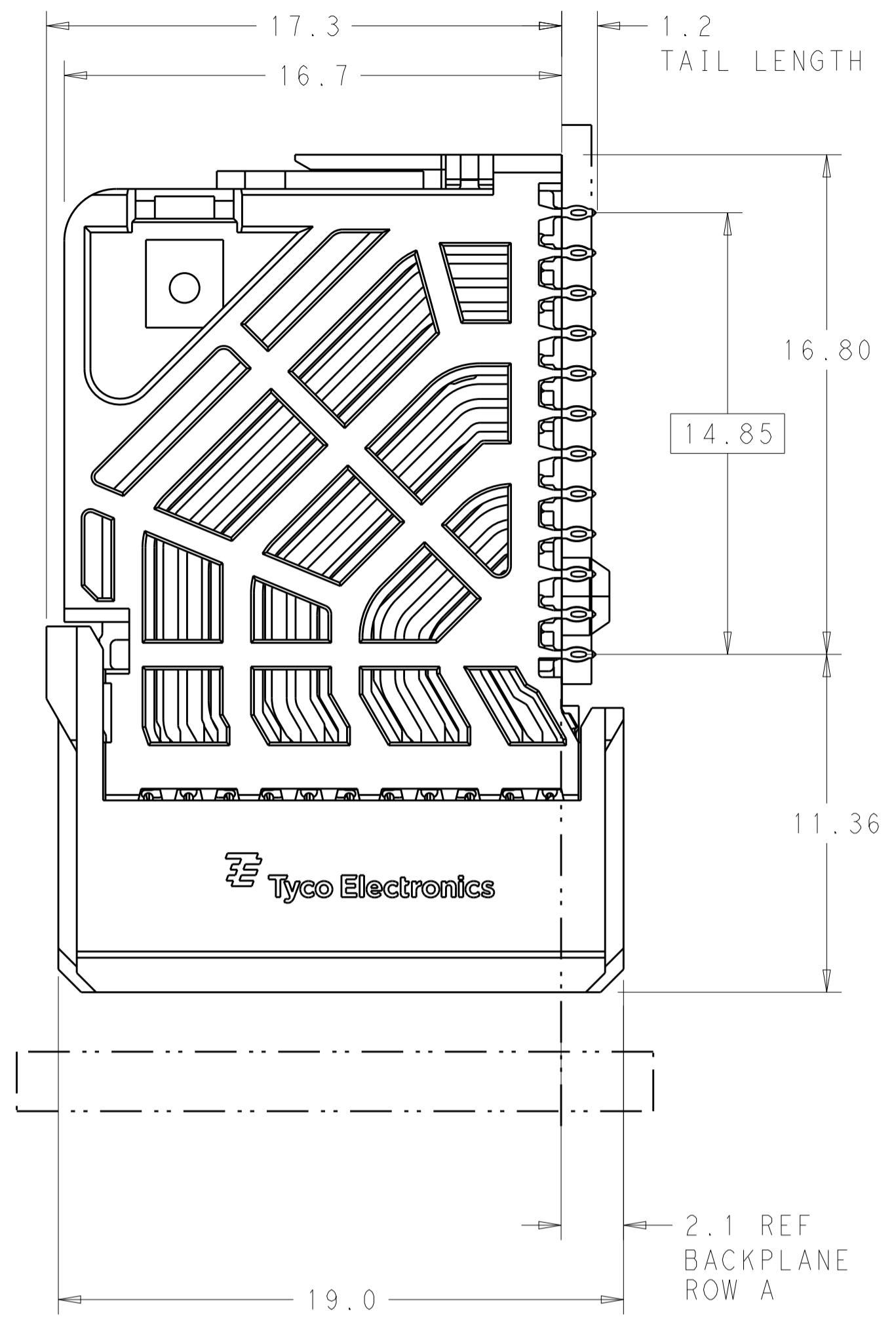
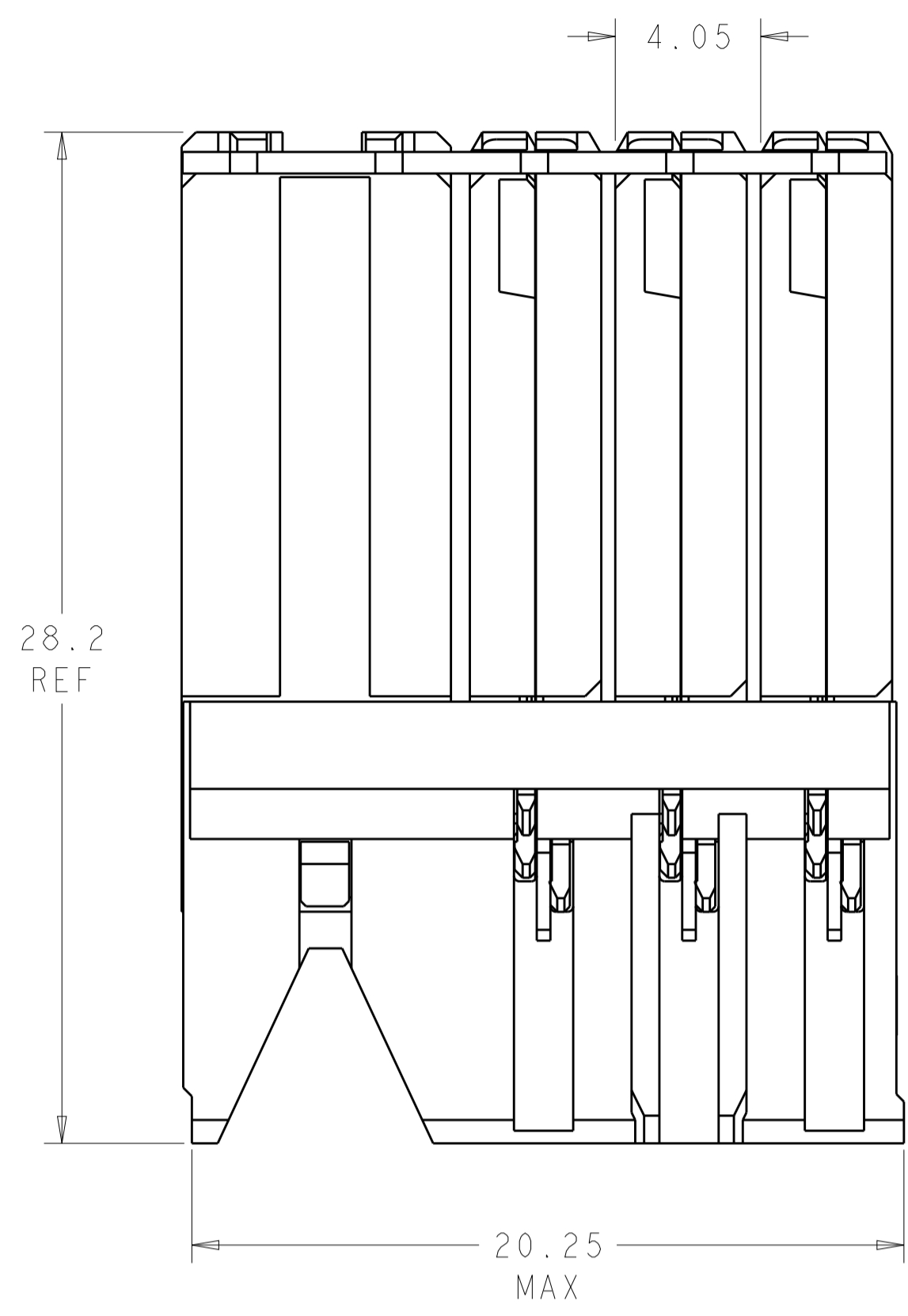
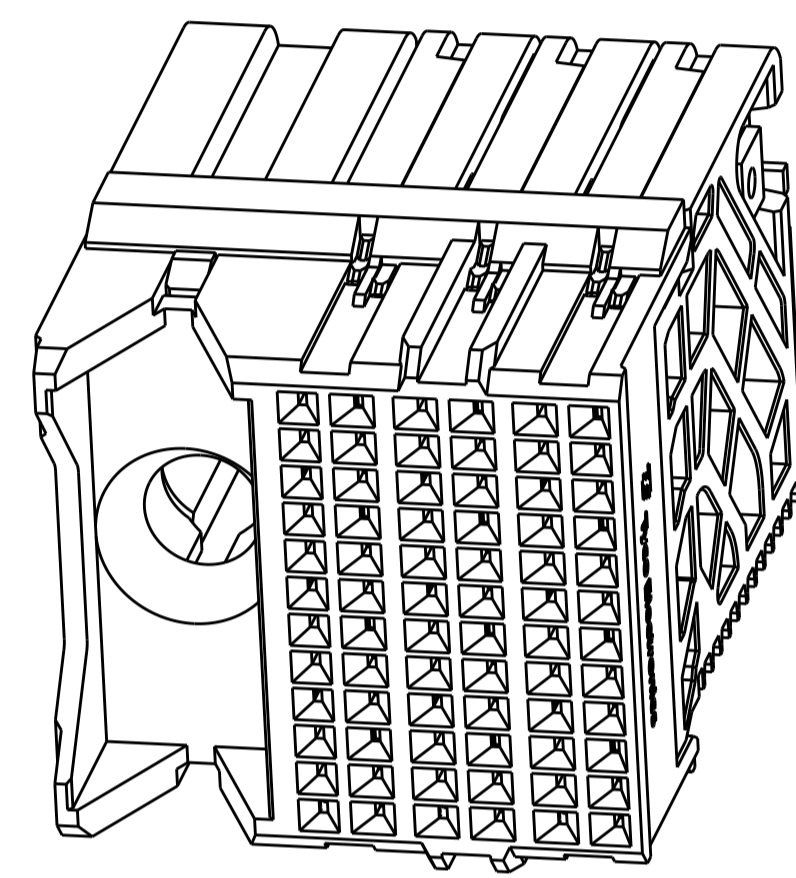


LOC	DIST	REVISIONS			
P	LTN	DESCRIPTION	DATE	DWN	APVD
A		DRAWING CREATED BY AUTOMATION PROGRAM	23MAY2015	AP	DD

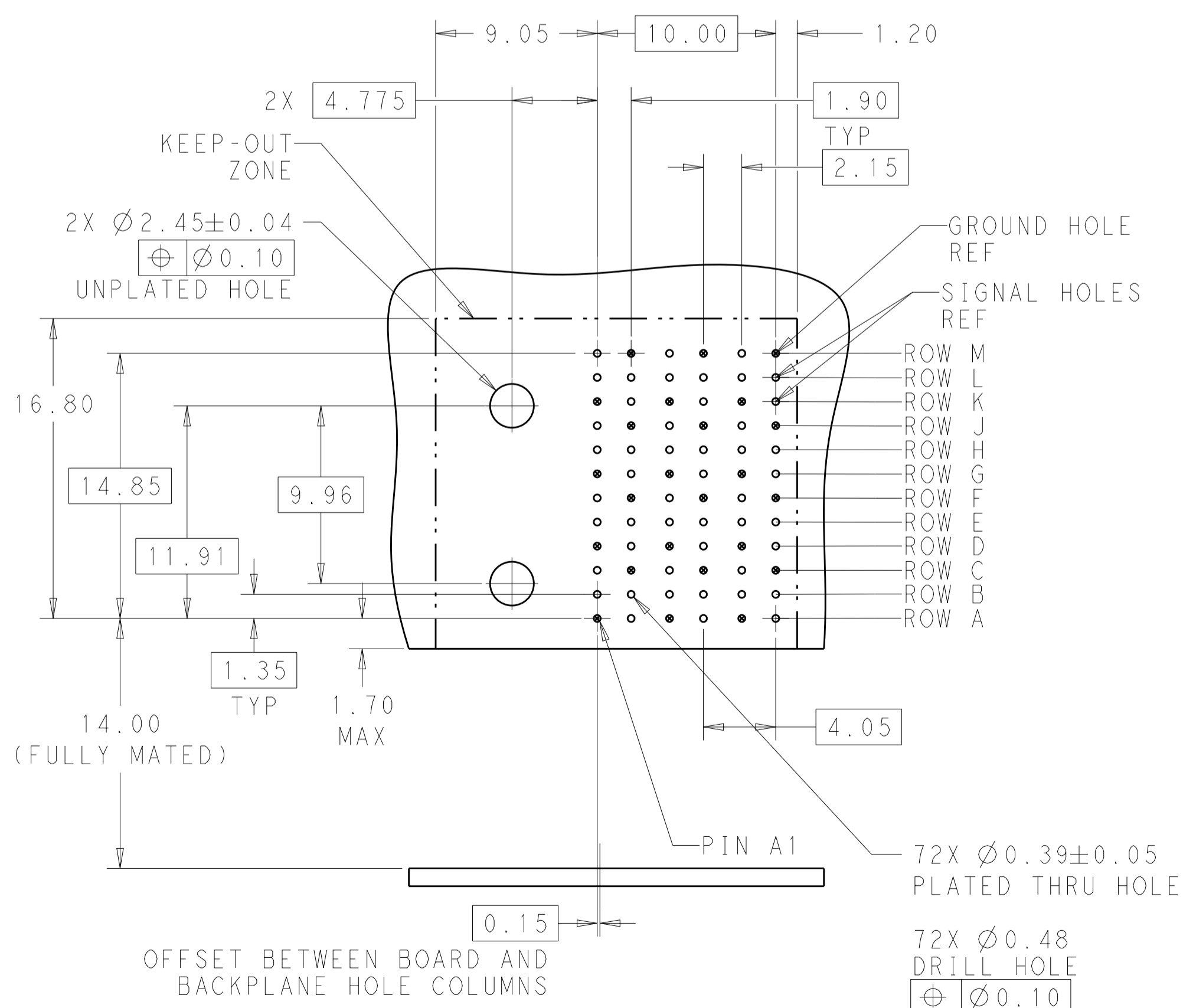
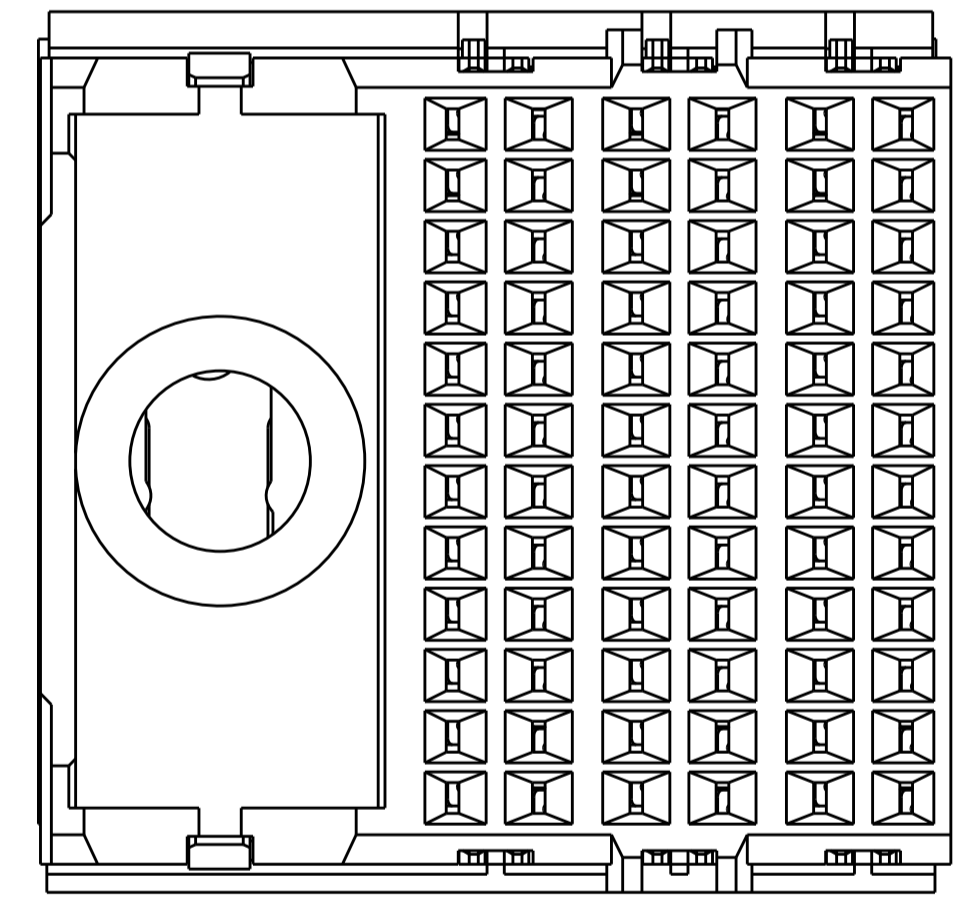


- ⚠ MATERIAL:
HOUSING: LCP, GLASS FILLED, UL94V-0.
TERMINALS: HIGH PERFORMANCE COPPER ALLOY.
- ⚠ FINISH:
30μ" SELECTIVE GOLD IN CONTACT AREA. SELECTIVE TIN ON PCB TAILS, NICKEL OVERALL.
- 3. CONNECTORS SUPPLIED WITH MOUNTING SCREWS.



SCALE 4:1

REFER TO WWW.TE.COM FOR PRODUCT AVAILABILITY



RECOMMENDED PCB LAYOUT
 MIN BOARD THICKNESS 1.0

NONE	⚠	2132461-1
KEY POSITION	FINISH	PART NUMBER
DIMENSIONS: mm 0 PLC ±0.25 1 PLC ±0.13 2 PLC ±0.13 3 PLC ±0.13 4 PLC ±0.13 ANGLES ±0.13		TOLERANCES UNLESS OTHERWISE SPECIFIED: 0 PLC ±0.25 1 PLC ±0.13 2 PLC ±0.13 3 PLC ±0.13 4 PLC ±0.13 ANGLES ±0.13
MATERIAL: SEE TABLE		NAME: IMPACT, ORTHOGONAL, 4 PAIR, DAUGHTERCARD, 6 COLUMN, LEFT GUIDED SIGNAL MODULE, 0.39 EYELET. SIZE: CAGE CODE DRAWING NO: A100779 ©=2132461 WEIGHT: - CUSTOMER DRAWING
SCALE 4:1		SHEET 1 OF 1 REV A