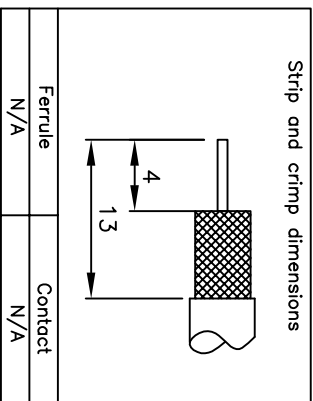
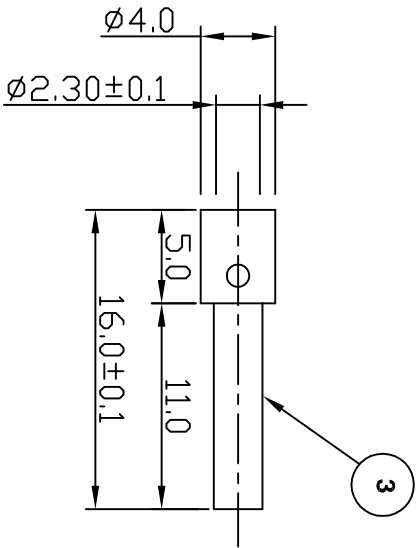
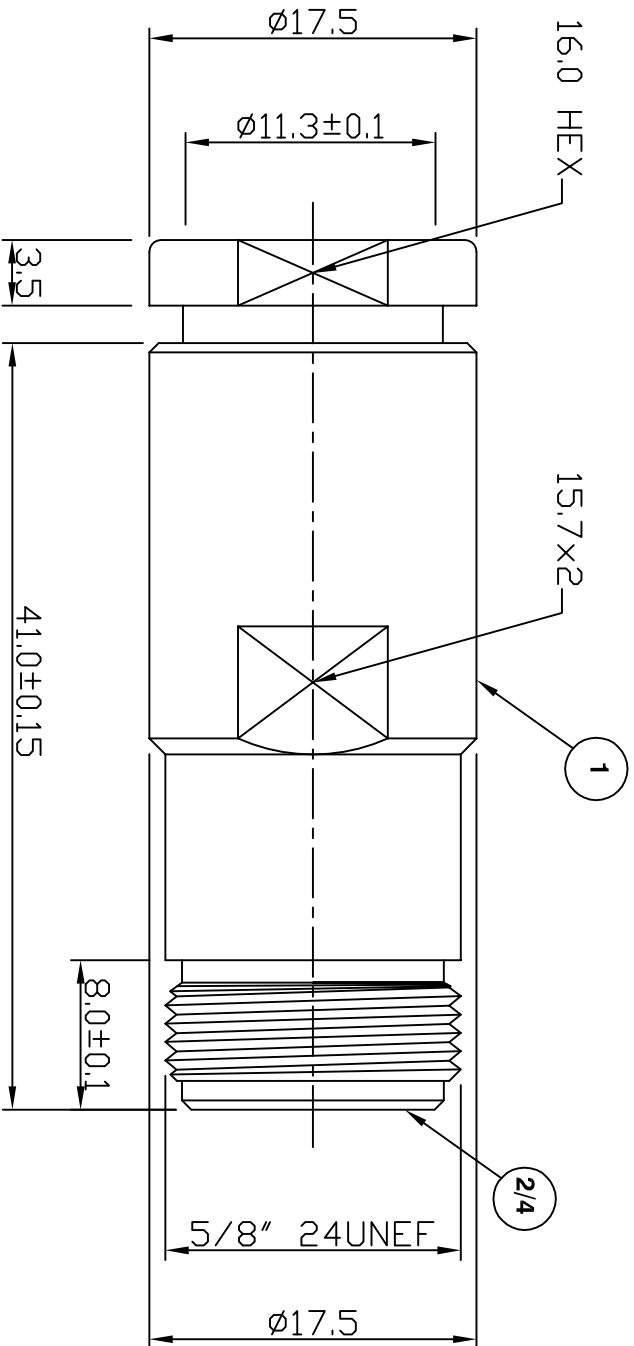


RoHS COMPLIANT



**Electrical Characteristics**

Nominal Impedance: 50 ohms  
 Frequency Range: DC to 11 GHz  
 VSWR: 1.3:1 maximum  
 Insertion Loss: 0.3 dB at 10 GHz  
 Operating Voltage (rms): 1000 V maximum at sea level  
 Dielectric Withstand Voltage (rms): 2500 V maximum at sea level  
 Contact Resistance: 1.0 milliohms maximum  
 Insulation Resistance: 5000 megohms minimum

**Mechanical Characteristics**

Mating Cycles: 500 cycles minimum  
 Interface Dimensions: Conform to MIL-C-39012

**Environmental Characteristics**

Temperature Range: -55 °C to +85 °C

PART	DESCRIPTION
1	Body Brass, nickel plated
2	Gasket Rubber
3	Contact Brass, gold plated
4	Dielectric Teflon

Dimensions Updated	JT	3	04 Mar 10
Strip And Crimp Dims Added	LB	2	26 Aug 09
First Issue	SN	1	24 May 02
DESCRIPTION OF REVISION	APPVD	ISS	DATE

For stripping and assembly instructions see Drawing Number: VAIN3202



**EMERSON**  
Network Power

Connectivity Solutions  
 7-13 Russel Way,  
 Widdford Industrial Estate,  
 Chelmsford, Essex,  
 CM1 3AA, UK.  
 Tel: +44 (0) 1245 359515  
 Fax: +44 (0) 1245 358938

SCALE: Not To Scale  
 DIMENSIONS: mm  
 TOLERANCES:  
 ± 0.2mm unless  
 otherwise stated

DRAWN BY: S Nash  
 CHECKED BY: S Nash  
 APPROVED BY: P Couzens  
 DATE: 24 May 02

TITLE:  
**N Clamp Jack for RG213**

PART NUMBER:

**VNS30-2020**

PAGE: 1 of 1