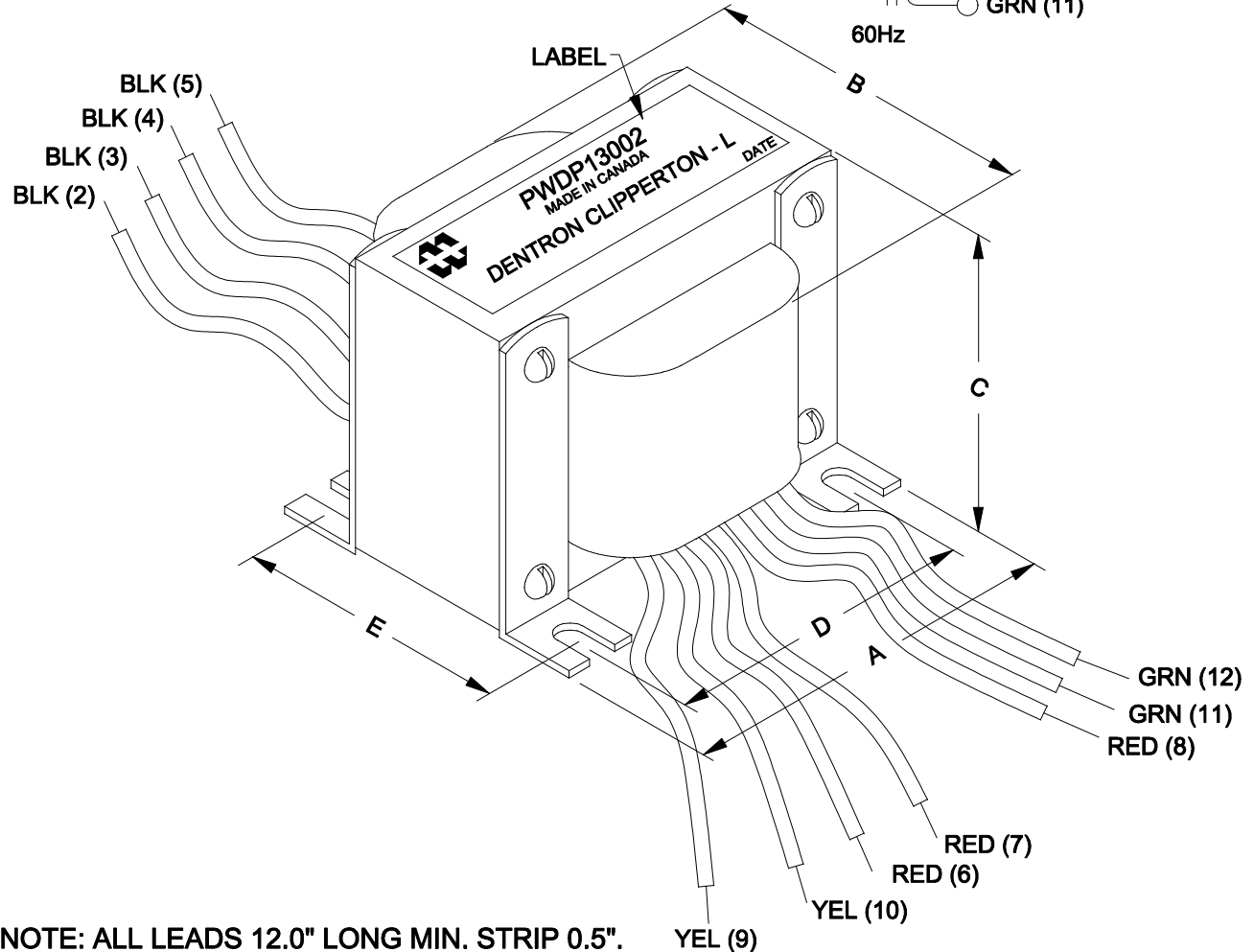
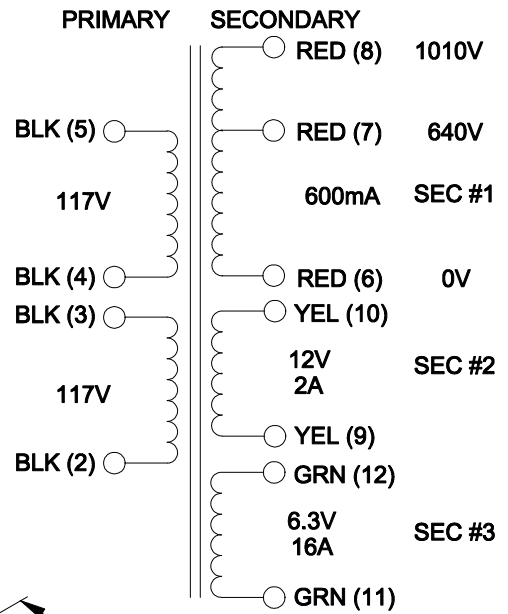


DIMENSIONS:	
A	5.750" ±0.063
B	6.650" MAX.
C	4.250" ±0.063
D	4.938" ±0.063
E	4.625" ±0.063
G	0.203" x 0.400" ±0.015



NOTE: ALL LEADS 12.0" LONG MIN. STRIP 0.5".



**ELECTRONIC DIVISION**  
52 RANKIN PLACE,  
WATERLOO, ONTARIO, N2J 3Z5  
PH # (519) 886-6181  
FAX # (519) 886-9540

TITLE  
**PWDP13002**

NO	DATE	REVISION	DWG. BY
0	06/22/15	RELEASED.	C.I. CORINA ILIE
			DATE
			06/22/15
			DIM IN(∅)MM( )

EDBPWDP13002