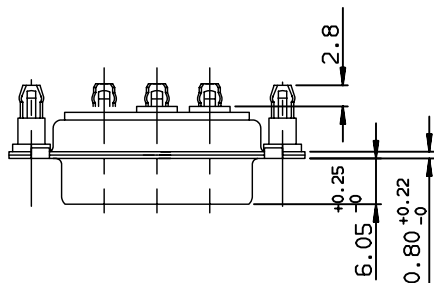
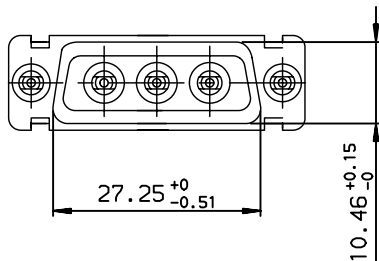
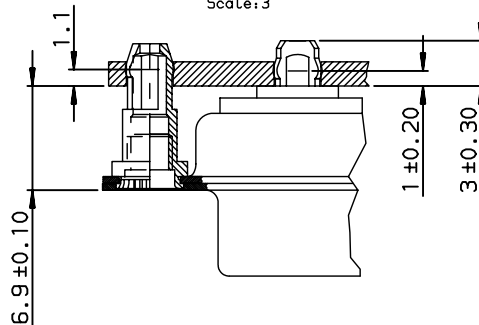


DA03W3S93C8G40	UNC 4.40
DA03W3S93C7G40	UNC 4.40
DA03W3S93C6G40	UNC 4.40
DA03W3S93C5G40	UNC 4.40
DAL3W3S93C8G40	M3
DAL3W3S93C7G40	M3
DAL3W3S93C6G40	M3
DAL3W3S93C5G40	M3
TIN-LEAD P/N	Threaded A



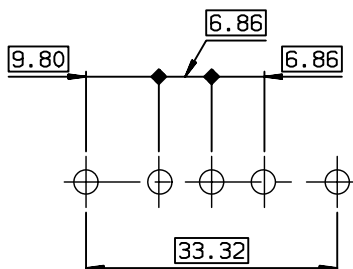
DETAIL OF PRESS FIT
Scale: 3



LAYOUT DIMENSIONS (after plating)
CONNECTOR SIDE VIEW

GENERAL CHARACTERISTICS : SEE DRAWING C01-8639-0002

European Views



www.fciconnect.com		surface ISO 1302 ✓	tolerance std ISO 406 ISO 1101	projection mm
TOLERANCES UNLESS OTHERWISE SPECIFIED				
ANGULAR	LINEAR	0.X	±0.1	size A3
0.XX' ±2'		0.XX	±0.1	Scale 1.5
		0.XXX	±0.1	ECN LS07-0070
Dr	JOUBERT	1998/03/16	Product family D-SUB	
Eng	PESSON	1998/03/16	Spec ref -	
Chr	LEGARE	1998/03/16		
Appr	LEGARE	1998/03/16		
rev	ecn no	dr	date	
B	-	SBA	2003/11/18	
C	LS05-0056	MPE	2005/06/20	
D	LS06-0097	LGO	2006/07/29	
E	LS07-0070	MPE	2007/03/06	
FCj		title SOCKET CONNECTOR 3W3		dwg no C01-8639-1572
		STR4 POWER P-F		Rev. E
catalog no		-		CUSTOMER sheet 1 of 1