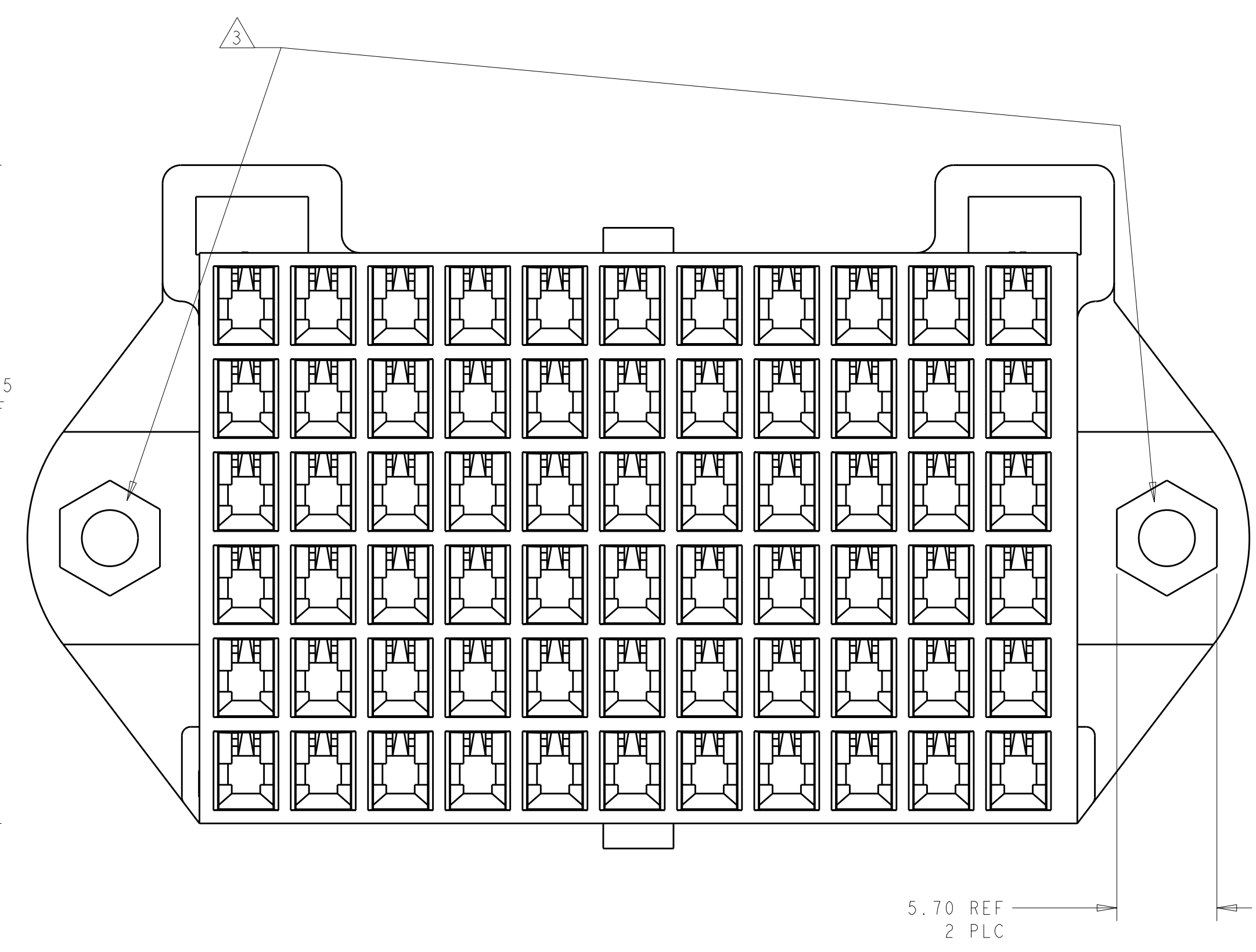
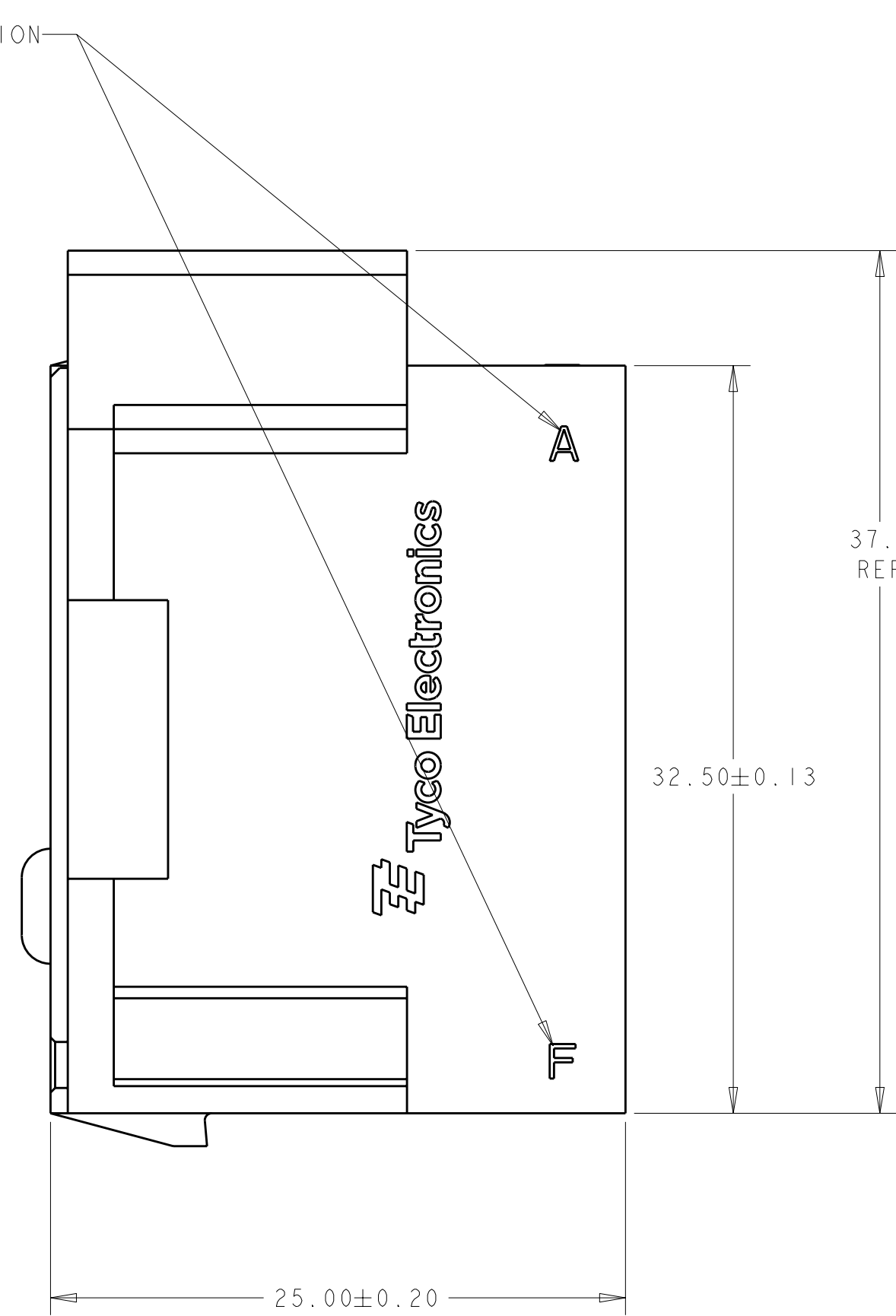
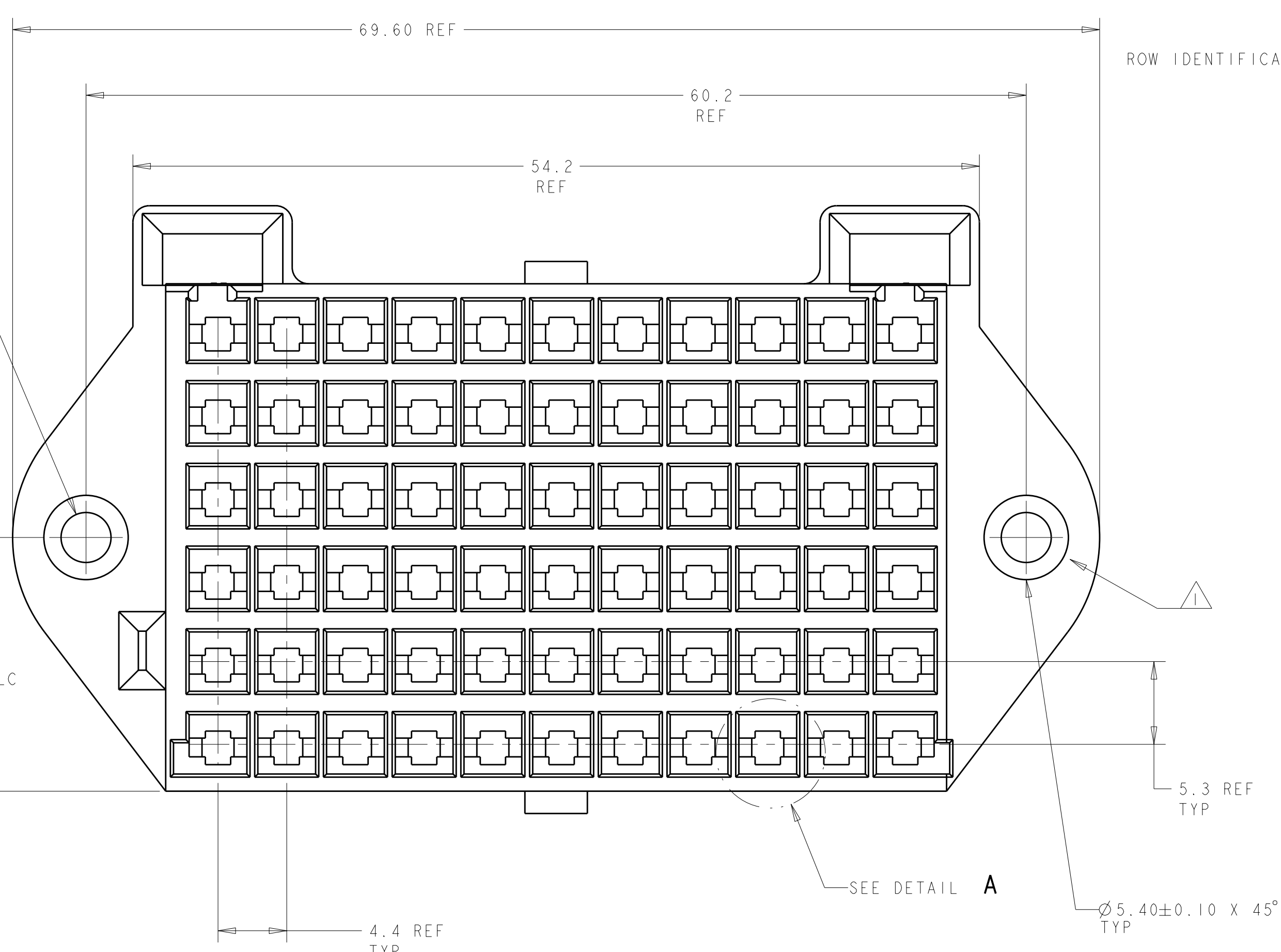
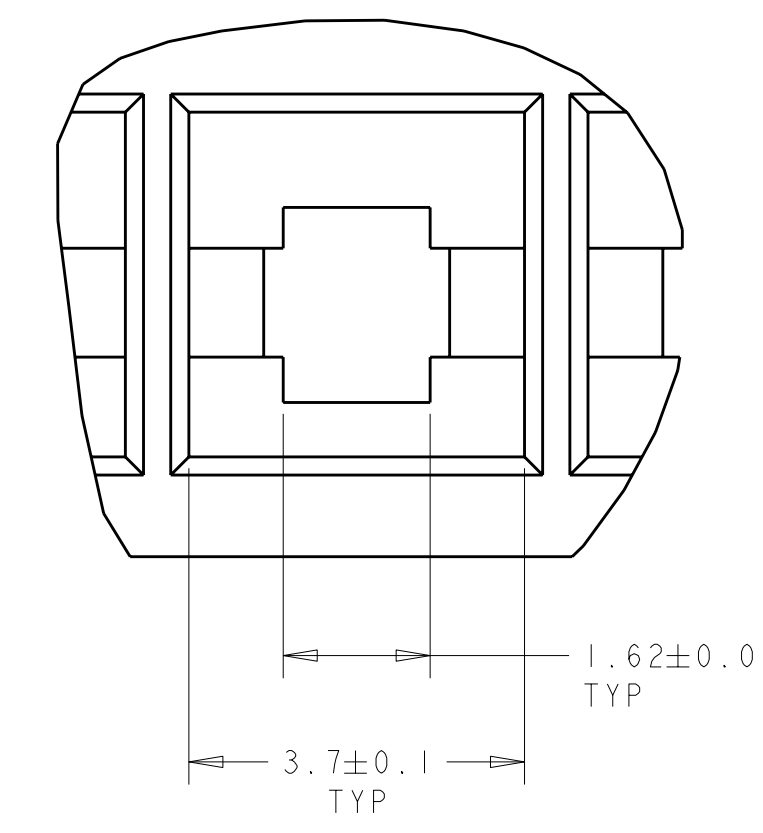
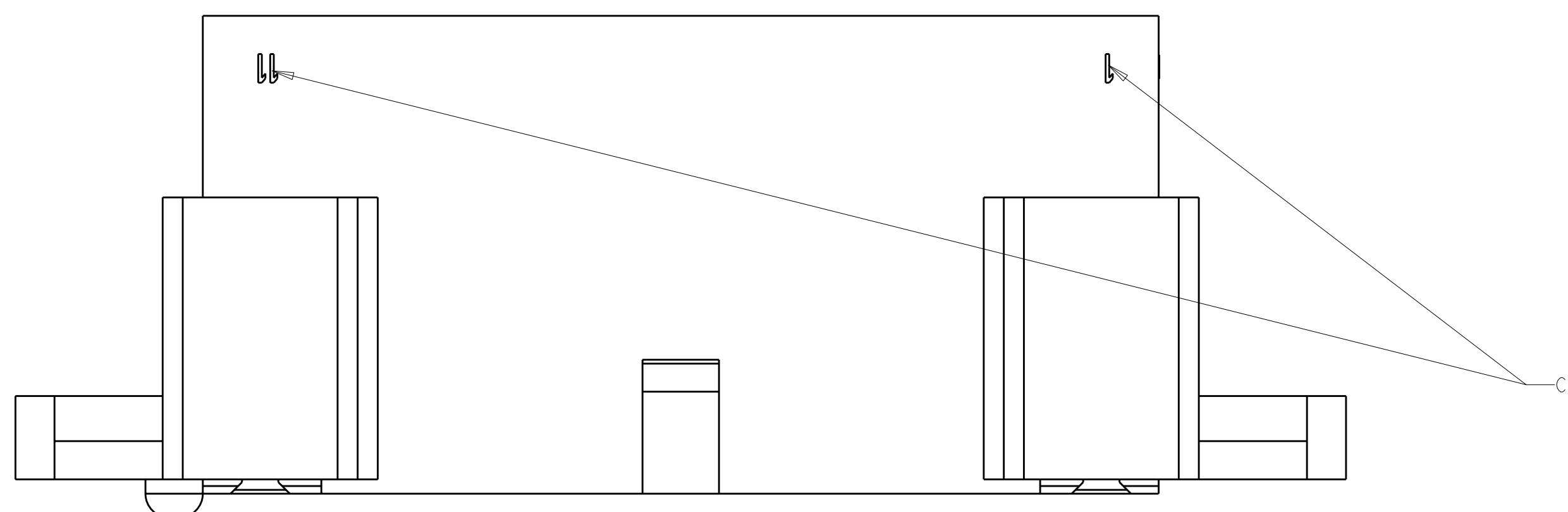


LOC		DIST		REVISIONS			
REV	DATE	BY	CHK	DESCRIPTION	DATE	OWN	APVD
A				RELEASED PER ECO-07-017382	01AUG2007	WS	AF



CONFIDENTIAL

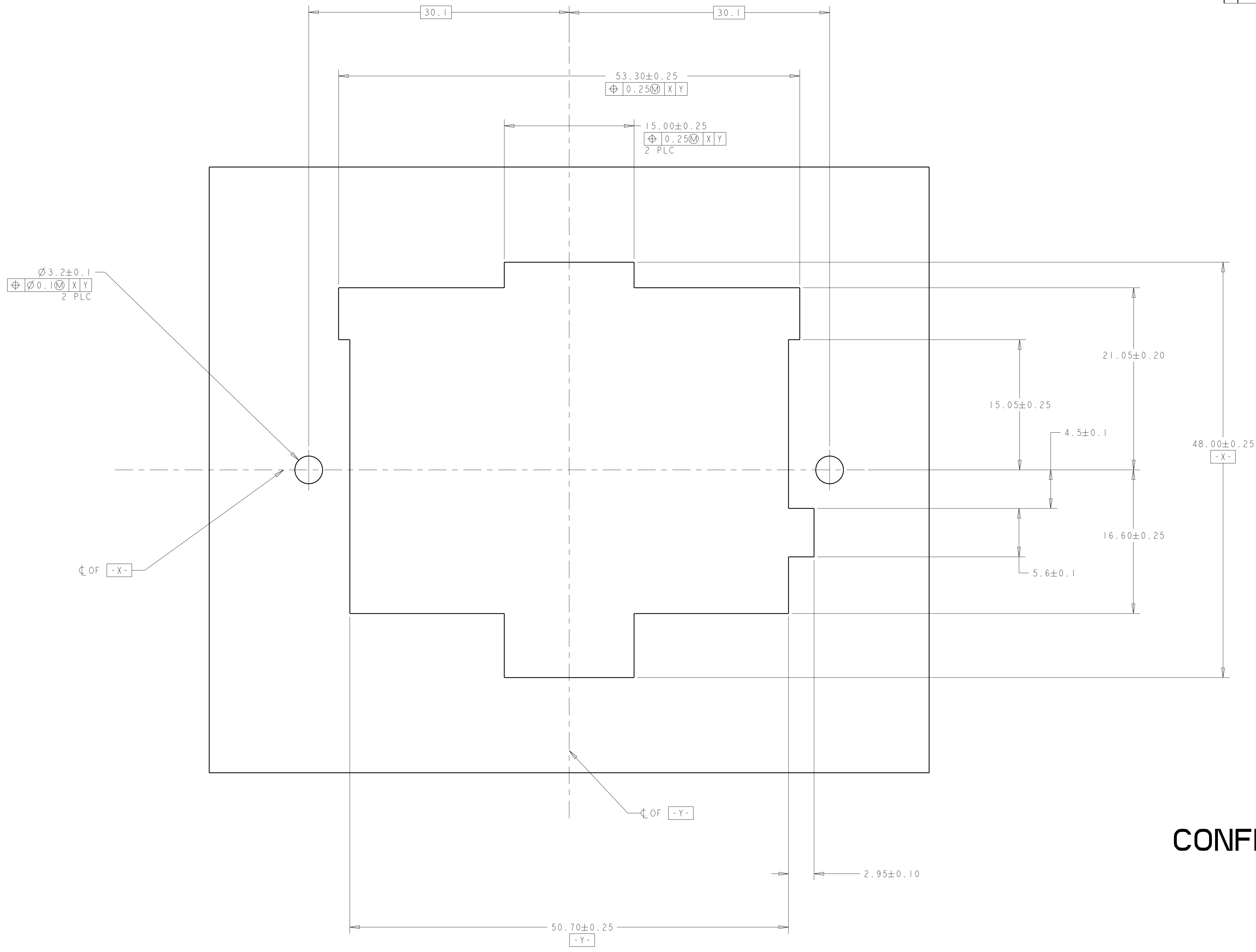
- 1. PBT UL94V-0.
- 2. ALL SHARP CORNERS ON PANEL CUT-OUT MAY HAVE A R0.1 MAX.
- 3. ALLOWS FOR A STYLE 1 M3 HEX NUT.

**THIS PRODUCT HAS NOT COMPLETED
VALIDATION TESTING**

1934143-1
PART NUMBER

DIMENSIONS: mm 		TOLERANCES UNLESS OTHERWISE SPECIFIED: 0 PLC ± 1 PLC ± 2 PLC ± 3 PLC ± 4 PLC ± ANGLES ± FINISH ±		DWN: C. RITTER 01FEB2006 CHK: R. WHITEMAN 01FEB2006 APVD: -	tyco Electronics Tyco Electronics Harrisburg, PA 17105-3608
MATERIAL: - FINISH: -		PRODUCT SPEC: 108-2248 APPLICATION SPEC: 114-13195 WEIGHT: -		NAME: 66 POSITION PLUG HOUSING AMP-DUAC UPC SIZE: CAGE CODE: DRAWING NO: A100779C=1934143 RESTRICTED TO: -	
CUSTOMER DRAWING				SCALE: 1:1 SHEET 1 OF 2 REV A	

LOC	DIST	REVISIONS			
P	LTR	DESCRIPTION	DATE	DWN	APVD
-	-	SEE SHEET 1	-	-	-



CONFIDENTIAL

**THIS PRODUCT HAS NOT COMPLETED
 VALIDATION TESTING**

<small>THIS DRAWING IS UNPUBLISHED. RELEASED FOR PUBLICATION. THIS IS SUBJECT TO CHANGE WITHOUT NOTICE AND WITHOUT OBLIGATION. TOLERANCES UNLESS OTHERWISE SPECIFIED: DIMENSIONS: mm. TOLERANCES UNLESS OTHERWISE SPECIFIED: 0 PLC ±, 1 PLC ±, 2 PLC ±, 3 PLC ±, 4 PLC ±, ANGLES ±, FINISH ±.</small>		DWN: C. RITTER 01FEB2006 CHK: R. WHITEMAN 01FEB2006 APVD: -	tyco Electronics Tyco Electronics Harrisburg, PA 17105-3608
PRODUCT SPEC: 108-2248 APPLICATION SPEC: 114-13195		NAME: 66 POSITION PLUG HOUSING AMP-DUAC UPC	
MATERIAL: - FINISH: -		WEIGHT: - CUSTOMER DRAWING	SIZE: A 00779 C=1934143 SCALE: 4:1 SHEET 2 OF 2 REV A