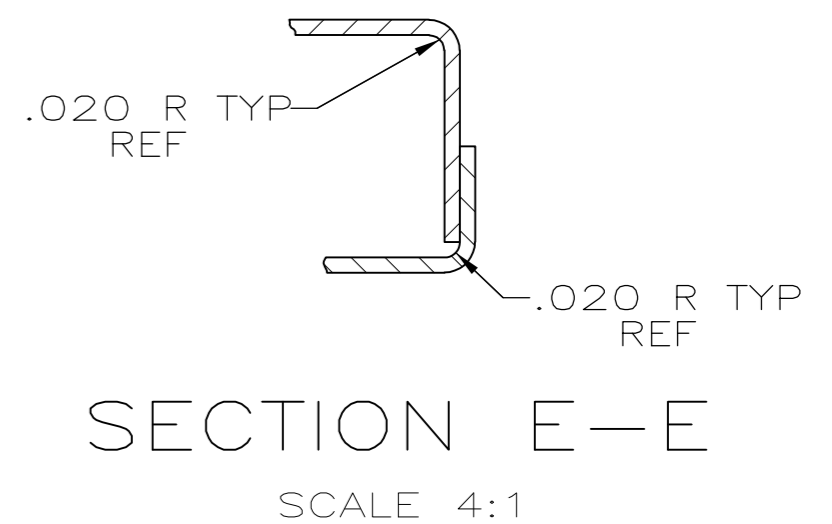
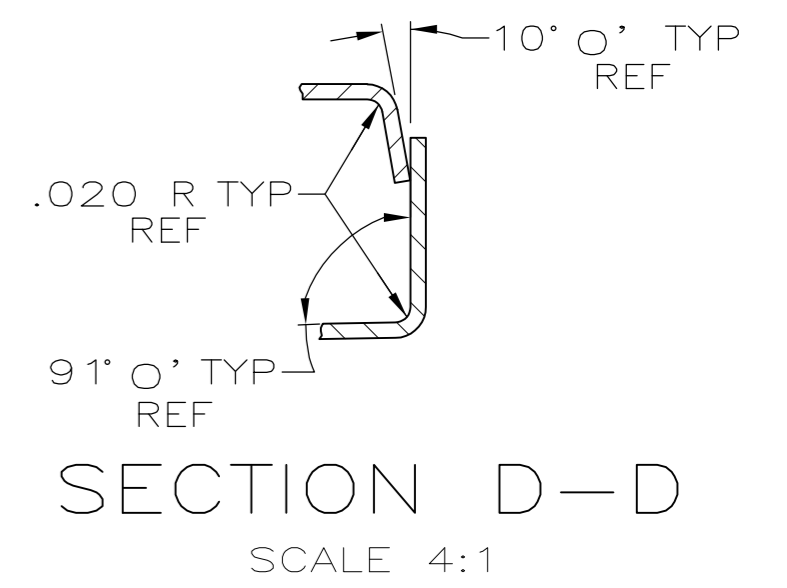
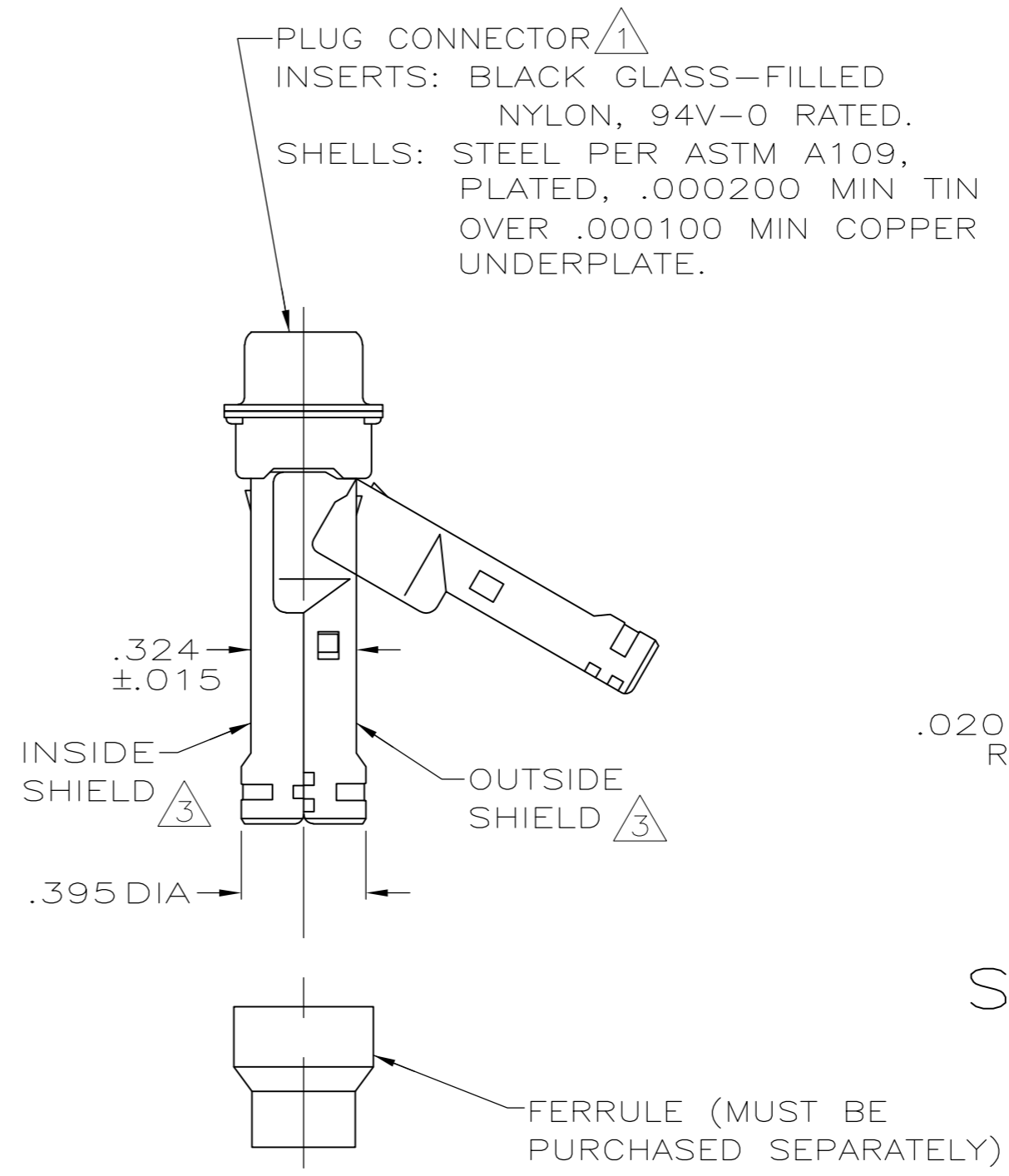
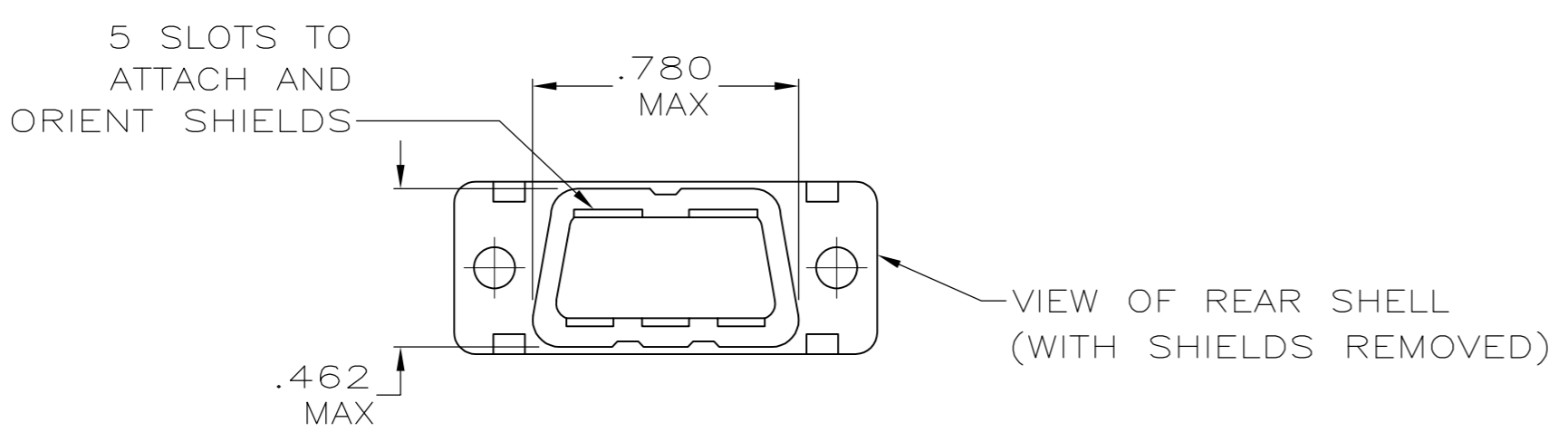
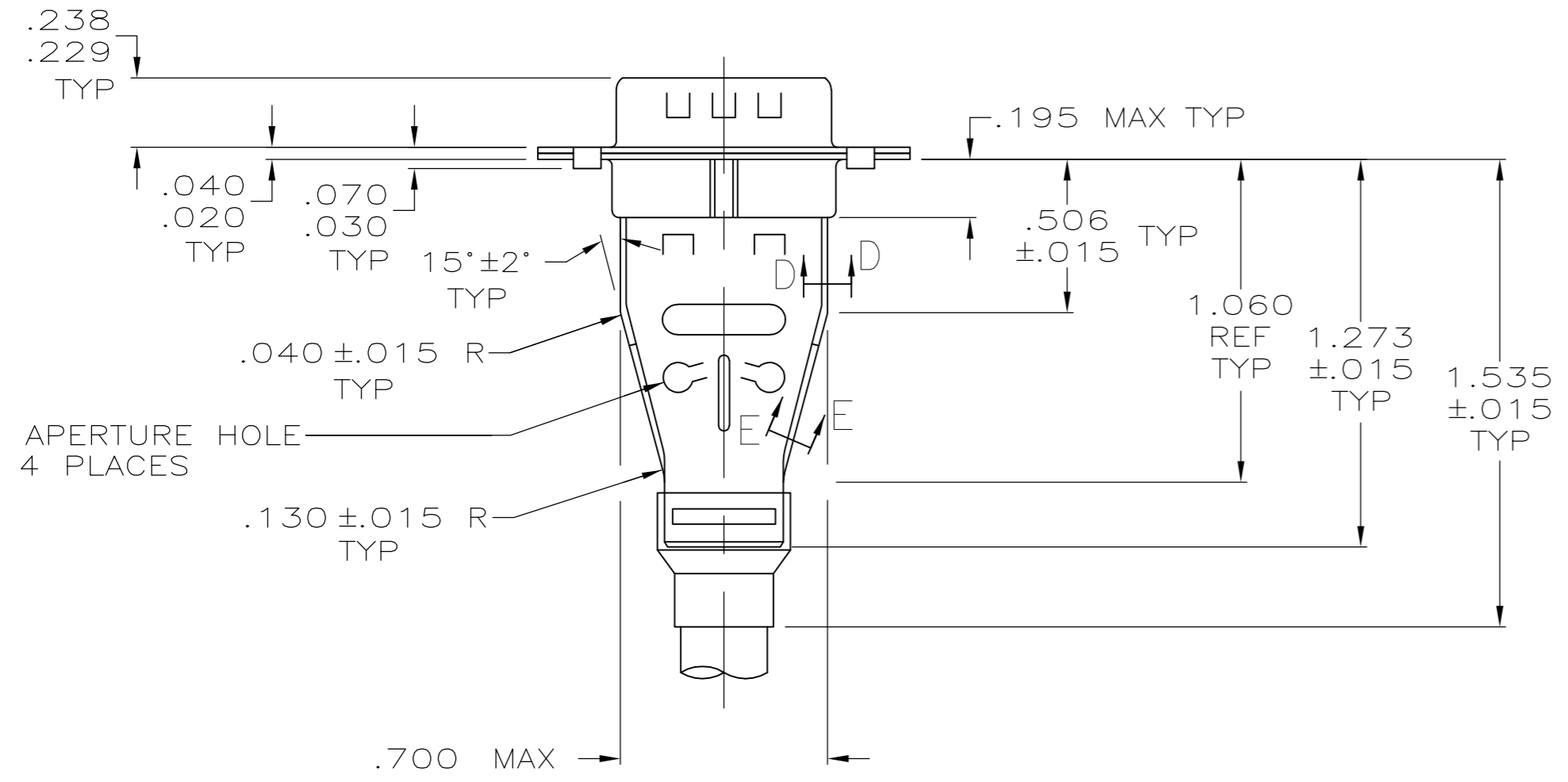
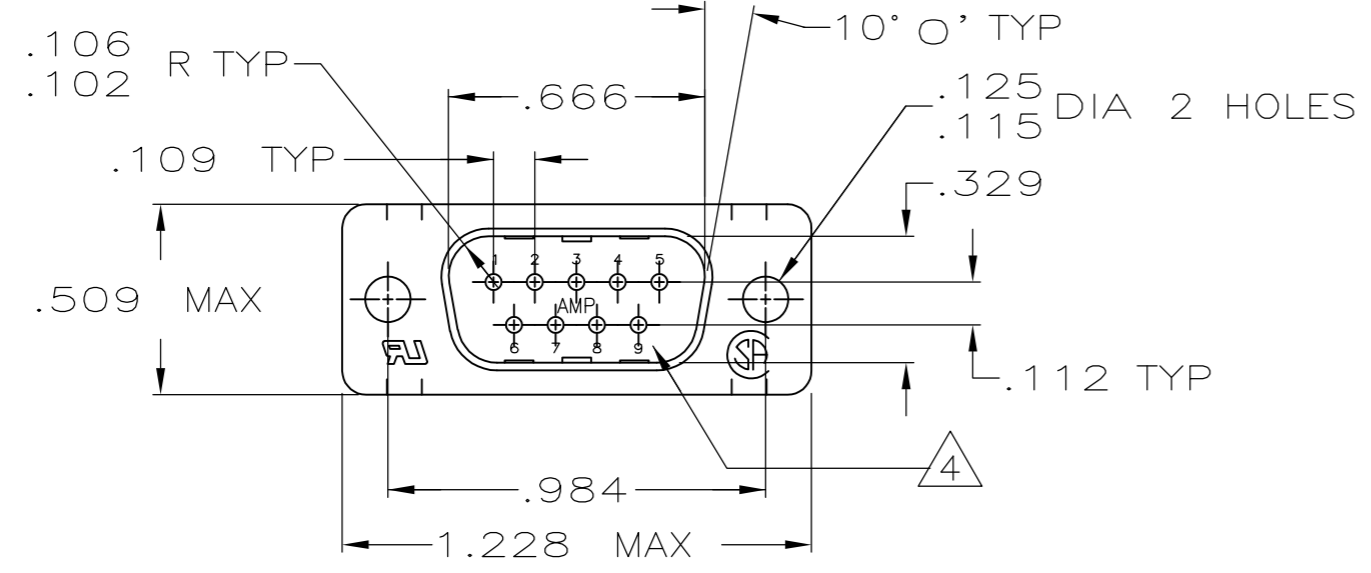


THIS DRAWING IS UNPUBLISHED. RELEASED FOR PUBLICATION
 © COPYRIGHT - By - ALL RIGHTS RESERVED.

LOC		DIST		REVISIONS			
P	LTR	DESCRIPTION	DATE	DWN	APVD		
GP	00						
P		REVISED PER ECO-11-004835	11MAR11	RK	HMR		



- ⚠️ PLUG ACCEPTS SIZE 20 PIN CONTACTS (CONTACTS MUST BE ORDERED SEPARATELY).
- 2. ALL PARTS SHIPPED UNASSEMBLED, EACH PART INDIVIDUALLY BULK PACKED.
- ⚠️ SHIELDS: MATERIAL—.020 THICK STEEL, PER ASTM A109, PLATED .000200 MIN TIN OVER .000100 MIN COPPER UNDERPLATE.
- ⚠️ RAISED CAVITY IDENTIFICATION AND AMP TRADEMARK.

1658645-1
 PART NUMBER

THIS DRAWING IS A CONTROLLED DOCUMENT.		DWN	26AUG03	 TE Connectivity KIT, PLUG, SHIELDING HARDWARE, SIZE 1, 9 POSITION, AMPLIMITE™ HDP-20	
DIMENSIONS: INCHES		CHK	26AUG03		
TOLERANCES UNLESS OTHERWISE SPECIFIED:		APVD	26AUG03		
0 PLC ± - 1 PLC ± - 2 PLC ± - 3 PLC ± .005 4 PLC ± - ANGLES ± 0° 30'		NAME	M.WALMSLEY		
MATERIAL		PRODUCT SPEC	108-40030	SIZE	A2
SEE CALL OUT (3)		APPLICATION SPEC	114-40030	CAGE CODE	00779
FINISH		WEIGHT	-	DRAWING NO	C=1658645
SEE CALL OUT (3)		CUSTOMER DRAWING		RESTRICTED TO	-
		SCALE	2:1	SHEET	1 of 1
		REV	P		