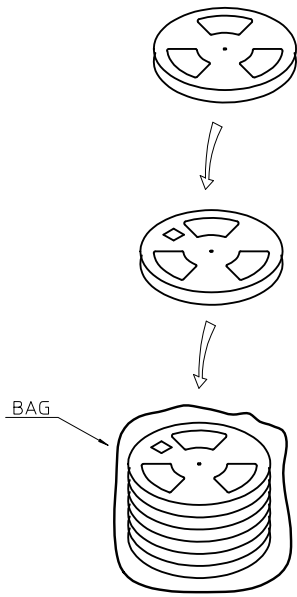


NOTE:

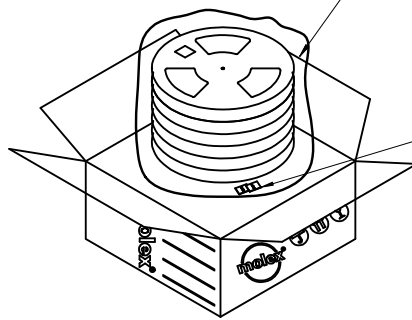
1. TAPE SIZE 29.5mm
2. STAPLES SHOULD ONLY BE USED TO SET UP CARTON
- ALL CARTONS CLOSURES MUST BE DONE WITH TAPE.
3. FILL PACKAGING REEL WITH THE QUANTITIES AS INDICATED IN THE CHART.

PRODUCT P/N	PARTS PER PRIMARY CARTON	PARTS PER REEL	TOTAL REELS PER PRIMARY CARTON
48168-1201 48168-1211	7000(PCS)	1400(PCS)	5
48168-3001 48168-3011	5600(PCS)	1400(PCS)	4

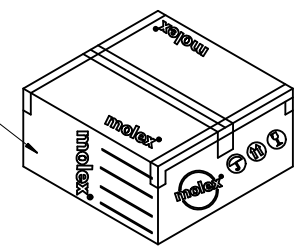


PRIMARY CARTON
096707-0007

2 DESICCATING AGENT



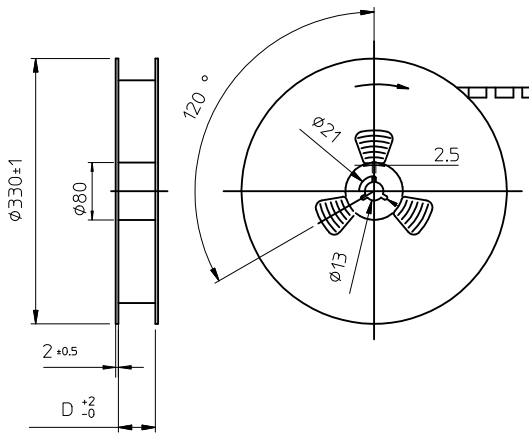
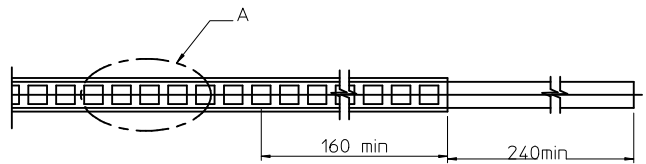
PRIMARY CARTON
096707-0007



REVISE EC NO: SH2010-0365 DRWN: YANG05 2010/03/12 CHK: ERIC KAO 2005/07/05 APPR: RZHANG 2010/04/30	DESCRIPTION REV	QUALITY SYMBOLS	GENERAL TOLERANCES (UNLESS SPECIFIED)		DIMENSION STYLE MM ONLY		SCALE 6:1	DESIGN UNITS METRIC	THIRD ANGLE PROJECTION																	
		$\nabla_F = 0$ $\nabla_F = 0$ $\nabla_F = 0$	<table border="1"> <thead> <tr> <th></th> <th>mm</th> <th>INCH</th> </tr> </thead> <tbody> <tr> <td>4 PLACES</td> <td>± ---</td> <td>± ---</td> </tr> <tr> <td>3 PLACES</td> <td>± ---</td> <td>± ---</td> </tr> <tr> <td>2 PLACES</td> <td>± 0.25</td> <td>± ---</td> </tr> <tr> <td>1 PLACE</td> <td>± 0.25</td> <td>± ---</td> </tr> </tbody> </table>		mm	INCH	4 PLACES	± ---	± ---	3 PLACES	± ---	± ---	2 PLACES	± 0.25	± ---	1 PLACE	± 0.25	± ---	ANGULAR ± 3 °		DRAWN BY BERNIE	DATE 2005/07/05	TITLE MDC 0.8 MM BTB RECEPTACLE CONNECTOR PACKAGING			
			mm	INCH																						
		4 PLACES	± ---	± ---																						
3 PLACES	± ---	± ---																								
2 PLACES	± 0.25	± ---																								
1 PLACE	± 0.25	± ---																								
DRAFT WHERE APPLICABLE MUST REMAIN WITHIN DIMENSIONS			SEE TABLE		CHECKED BY ERIC KAO	DATE 2005/07/05	MOLEX INCORPORATED																			
					APPROVED BY RZHANG	DATE 2010/04/14	DOCUMENT NO. PK-48168-001		SHEET NO. 1 OF 3																	

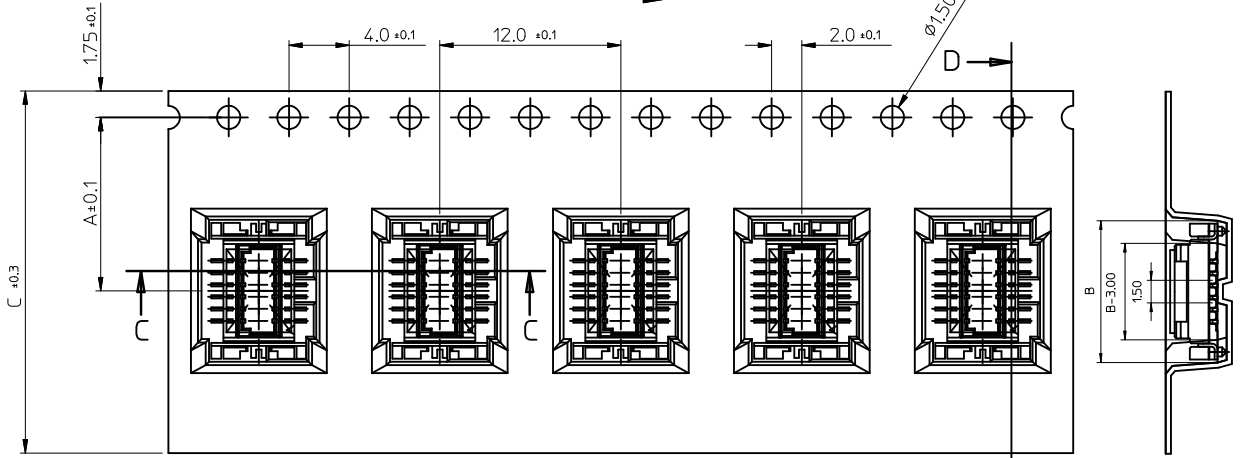
10 9 8 7 6 5 4 3 2 1

CKT	DIMA	DIMB	DIMC	DIMD
10		8.50		
12		9.30		
14	11.50	10.10	24.00	24.40
16		10.90		
20		12.50		
24		14.10		

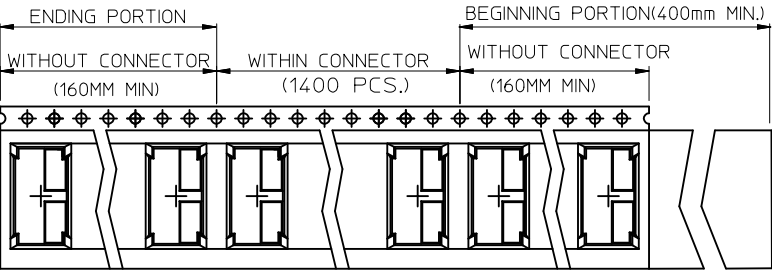


PULL DIRECTION

PULL DIRECTION



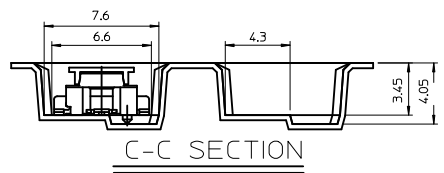
- NOTE:
 1. QUANTITY 1400 PCS / REEL
 2. USER DIRECTION OF FEED



PULL DIRECTION

A VIEW DETAIL

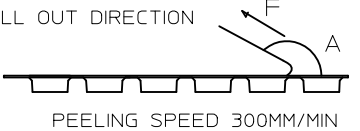
D-D SECTION



C-C SECTION

PULL DIRECTION

3. COVER TAPE PEELING FORCE:
 PULL OUT DIRECTION



A	165°~ 180°
F	0.1N~1.3N

4. PART DIMENSIONS MEET EIA-481-2-A REQUIREMENT
 5. THICKNESS: 0.35±0.05 MM

REVISE	DESCRIPTION
EC NO: SH2010-0365	2010/03/12
DRWN: YANG05	2005/07/05
CHKD: ERIC KAO	2010/04/20
APPR: RZHANG	

QUALITY SYMBOLS	DESCRIPTION
$\nabla_{\text{A}}=0$	
$\nabla_{\text{E}}=0$	
$\nabla_{\text{F}}=0$	

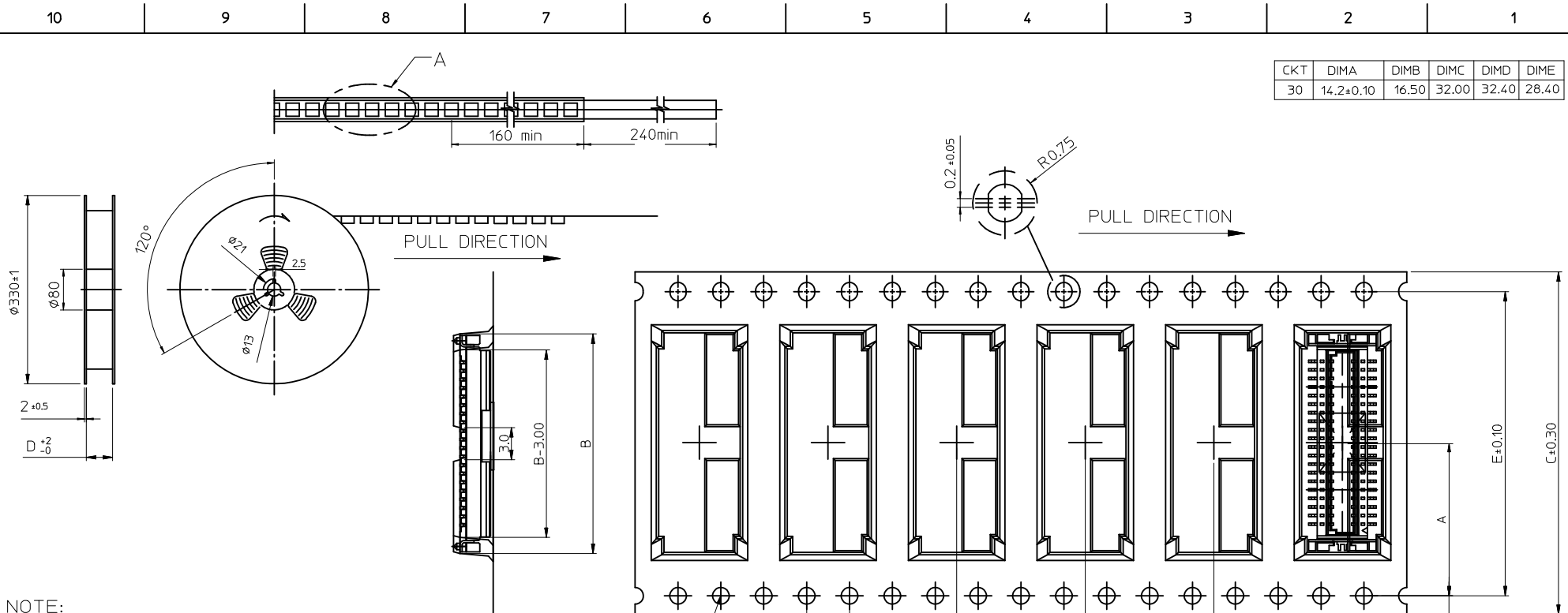
GENERAL TOLERANCES (UNLESS SPECIFIED)	
	mm INCH
4 PLACES	± --- ± ---
3 PLACES	± --- ± ---
2 PLACES	± 0.25 ± ---
1 PLACE	± 0.25 ± ---
ANGULAR ± 3 °	
DRAFT WHERE APPLICABLE MUST REMAIN WITHIN DIMENSIONS	

DIMENSION STYLE	
MM ONLY	
DRAWN BY	DATE
BERNIE	2005/07/05
CHECKED BY	DATE
ERIC KAO	2005/07/05
APPROVED BY	DATE
RZHANG	2010/04/14
MATERIAL NO.	
SEE SHEET 1	

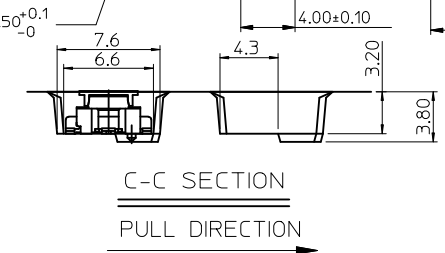
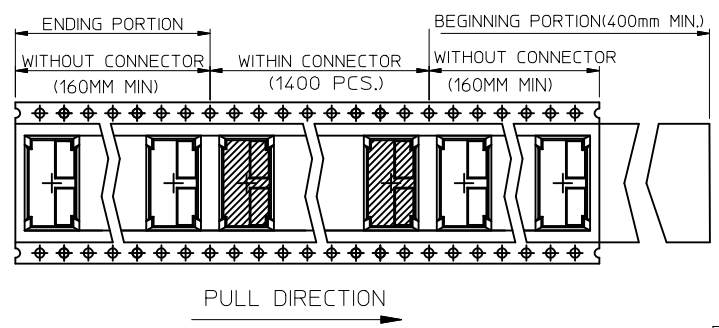
SCALE	DESIGN UNITS	THIRD ANGLE PROJECTION
1:1	METRIC	
TITLE		
MDC 0.8 MM BTB RECEPTACLE CONNECTOR PACKAGING		
MOLEX INCORPORATED		
DOCUMENT NO.	SHEET NO.	
PK-48168-001	2 OF 3	
THIS DRAWING CONTAINS INFORMATION THAT IS PROPRIETARY TO MOLEX INCORPORATED AND SHOULD NOT BE USED WITHOUT WRITTEN PERMISSION		

9 8 7 6 5 4 3 2 1

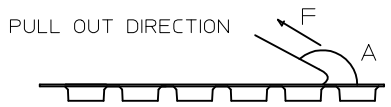
CKT	DIMA	DIMB	DIMC	DIMD	DIME
30	14.2±0.10	16.50	32.00	32.40	28.40



- NOTE:
 1. QUANTITY 1400 PCS / REEL
 2. USER DIRECTION OF FEED



3. COVER TAPE PEELING FORCE: 0.12 kgf.

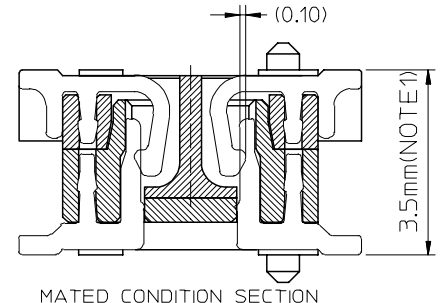
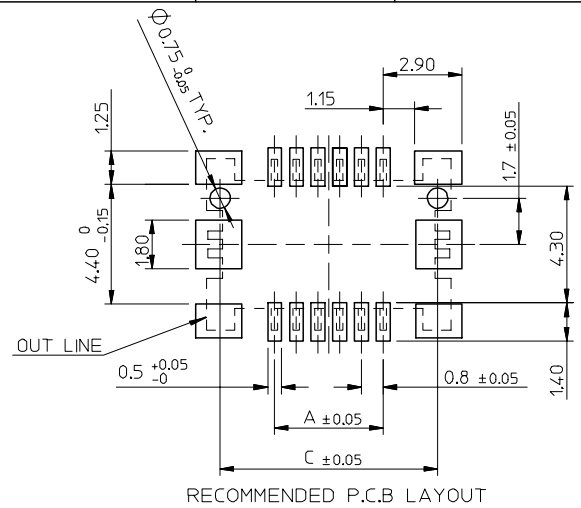
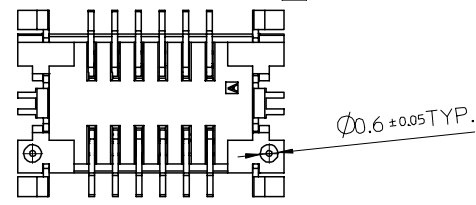
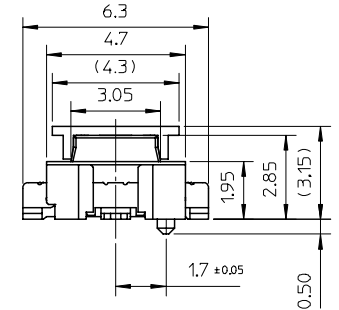
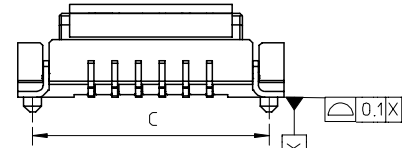
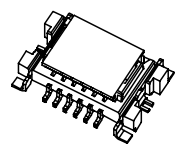
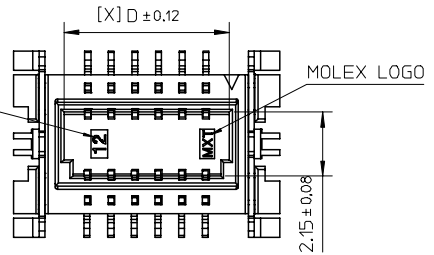
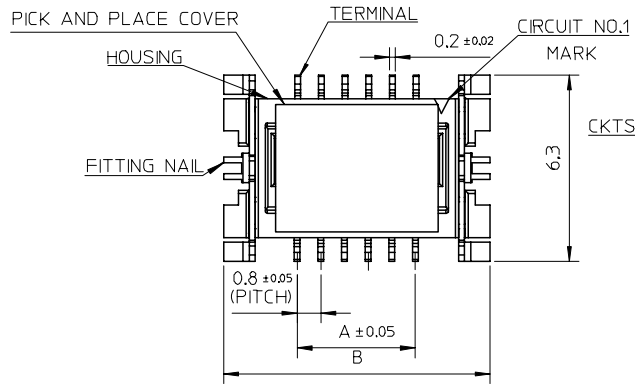


A	165° ~ 180°
F	0.1N ~ 1.3N

4. PART DIMENSIONS MEET EIA-481-2-A REQUIREMENT
 5. THICKNESS: 0.35±0.05 MM

REVISE	REV	DESCRIPTION	QUALITY SYMBOLS	GENERAL TOLERANCES (UNLESS SPECIFIED)		DIMENSION STYLE		SCALE	DESIGN UNITS	THIRD ANGLE PROJECTION
				mm	INCH	MM ONLY	1:1	METRIC		
DRW: F. YANG	2010/03/12	2010/03/12	▽ _A =0	4 PLACES	± ---	± ---	DRAWN BY	DATE	TITLE	MDC 0.8 MM BTB RECEPTACLE CONNECTOR PACKAGING
CHK: D. ERIC	2005/07/05	2005/07/05	▽ _F =0	3 PLACES	± ---	± ---	CHECKED BY	DATE		
APP: R. ZHANG	2010/04/30	2010/04/30	▽ _F =0	2 PLACES	± 0.25	± ---	APPROVED BY	DATE		
				1 PLACE	± 0.25	± ---	RZHANG	2010/04/14		
				ANGULAR ± 3 °			MATERIAL NO.			
				DRAFT WHERE APPLICABLE MUST REMAIN WITHIN DIMENSIONS		SEE SHEET 1		DOCUMENT NO.		SHEET NO.
						SIZE A3		THIS DRAWING CONTAINS INFORMATION THAT IS PROPRIETARY TO MOLEX INCORPORATED AND SHOULD NOT BE USED WITHOUT WRITTEN PERMISSION		3 OF 3

10 9 8 7 6 5 4 3 2 1



NOTES
 1.COPLANARITY IS 0.1mm MAX.
 2.MATERIAL : HOUSING-HIGH TEMPERATURE THERMOPLASTIC, GLASS FILLED, UL 94V-0, COLOR: NATURE(WHITE)
 TERMINAL- COPPER ALLOY
 FITTING NAIL- COPPER ALLOY
 PICK AND PLACE COVER-HIGH TEMPERATURE THERMOPLASTIC, GLASS FILLED,UL 94V-0, COLOR: NATURE(WHITE)
 3.FINISHES : TERMINAL :48168-XX01:
 TIN MATT PLATED OVER ALL
 THICKNESS :0.025 MICROMETER MINIMUM;
 NICKEL UNDERPLATED OVER ALL,
 THICKNESS :1.27 MICROMETER MINIMUM;
 48168-XX11:
 GOLD FLASH OVER ALL
 THICKNESS :0.025 MICROMETER MINIMUM;
 NICKEL UNDERPLATED OVER ALL,
 THICKNESS :1.27 MICROMETER MINIMUM;
 FITTING NAIL :48168-XX01:
 TIN MATT PLATED OVER ALL
 THICKNESS :0.025 MICROMETER MINIMUM;
 NICKEL UNDERPLATED OVER ALL,
 THICKNESS :1.27 MICROMETER MINIMUM;

4.PRODUCT SPECIFICATION REFER TO PS-48126-001
 5.DRAWING PACKAGING REFER TO PK-48168-001
 6.TEST SUMMARY REFER TO TS-48210-001
 7.MATED WITH 48126-SERIES
 8.P/N LEGEND 48168-XXX1
 NO OF CKTS PLATING
 0:MATT TIN
 1:GOLD FLASH OVER ALL
 9.LEAD-FREE AND ROHS COMPLIANCE

DIMA	DIMB	DIMC	DIMD	CKT	AVAILABLE
3.2	8.2	7.2	4.8	10	-
4.0	9.0	8.0	5.6	12	YES
4.8	9.8	8.8	6.4	14	-
5.6	10.6	9.6	7.2	16	-
7.2	12.2	11.2	8.8	20	-
8.8	13.8	12.8	10.4	24	-
11.2	16.2	15.2	12.8	30	YES

RELEASED EC NO: SH2005-0240 DR:WNEKA001 CHKD: APPR:WMSCHANG	2005/11/03 2005/11/03 2005/11/04	DESCRIPTION QUALITY SYMBOLS ▽=0 ▽=0	GENERAL TOLERANCES (UNLESS SPECIFIED)		DIMENSION STYLE IN/MM		SCALE 6:1	DESIGN UNITS INCH	THIRD ANGLE PROJECTION			
					DRAWN BY BERNIE		DATE 2005/01/25		TITLE MDC BOARD TO BOARD RECEPTACLE CONNECTOR (LEAD-FREE VERSION)			
					CHECKED BY ERIC		DATE 2005/01/25		APPROVED BY WILSON			
					APPROVED BY WILSON		DATE 2005/01/25		MATERIAL NO. SEE NOTES			
		DRAFT WHERE APPLICABLE MUST REMAIN WITHIN DIMENSIONS		SIZE A3		DOCUMENT NO. SD-48168-001		SHEET NO. 1 OF 1				

9 8 7 6 5 4 3 2 1