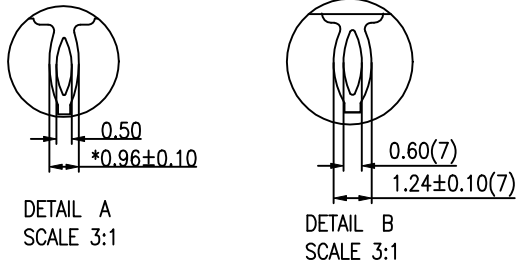
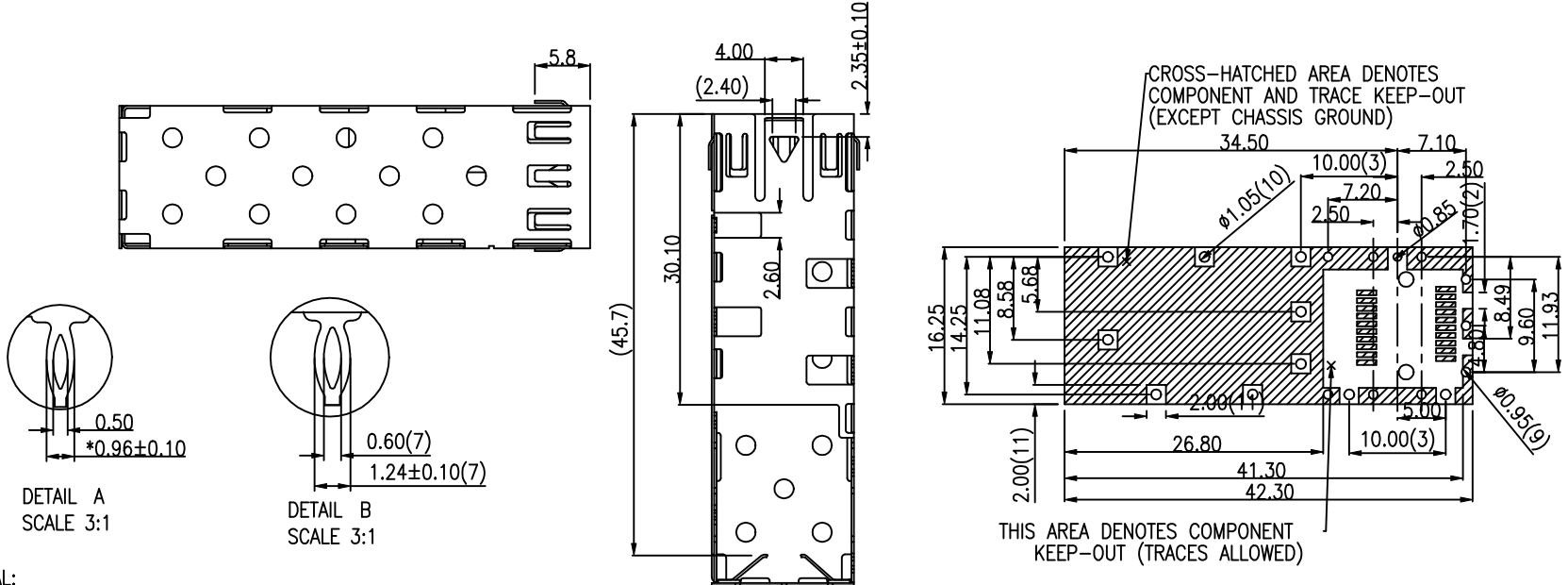
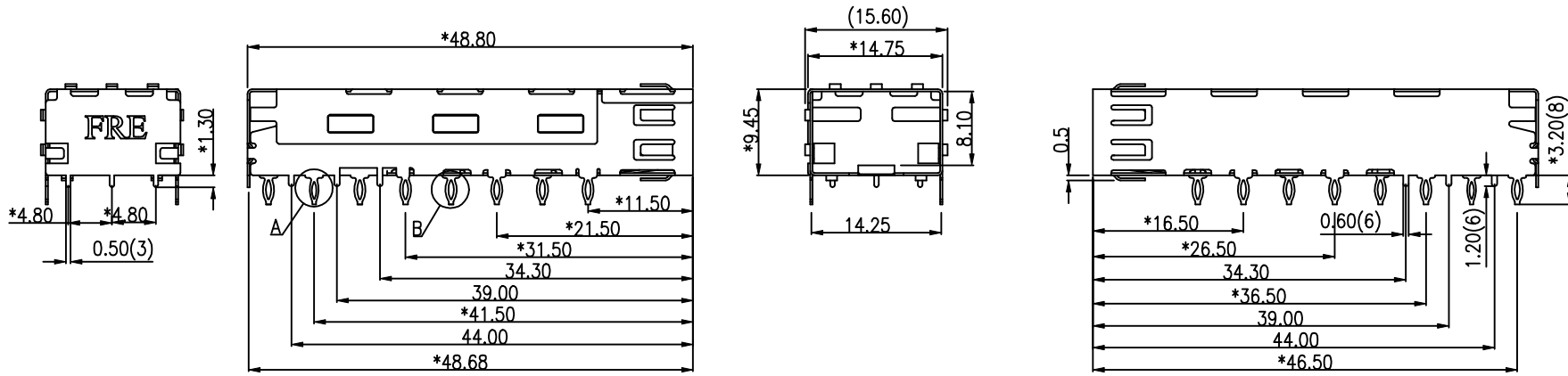


REVISION RECORD				
REV	ECO	DESCRIPTION	DRFT	CHKD
△		Modify Design	yanglan 10/07/05	



NOTE:  
 MECHANICAL:  
 SHIELD(CAGE) MATERIAL:  
 1. THICKNESS=0.25mm, C5191H.  
 2. PLATED: SELECTIVE PLATED OVER NICKEL  
 PLATED NICKEL 50u"~110u" △  
 OR PLATED TIN 100u"~180u".  
 PART NUMBER : E81M0-WXY8X-L  
 1-W/O LOGO C5191H      A-TIN  
 C-W/FRE C5191H      B-NICKEL

DETAILED LISTS	MM (INCH)	DFTO YANGLAN	DATE 06/08/05'	FULL RISE ELECTRONIC CO., LTD		
	TOLERANCES EXCEPT AS NOTED	CHKD JACK	DATE 2005/10/07			
	MM	MFO	DATE	TITLE SFP CAGE		
	.0 ±0.20	APPV LUSHENG	DATE 2005/10/07			
.00 ±0.15	MATERIAL :	DRAWING NO. GE813032		SIZE	REV	
.000 ±0.075	ANGLES ±	QT'Y :	/PART NO. SEE NOTE		A3	1
THIRD ANGLE PROJECTION	FINISH :	SCALE : 2:1	DO NOT SCALE DRAWING		SHEET X	OF Y