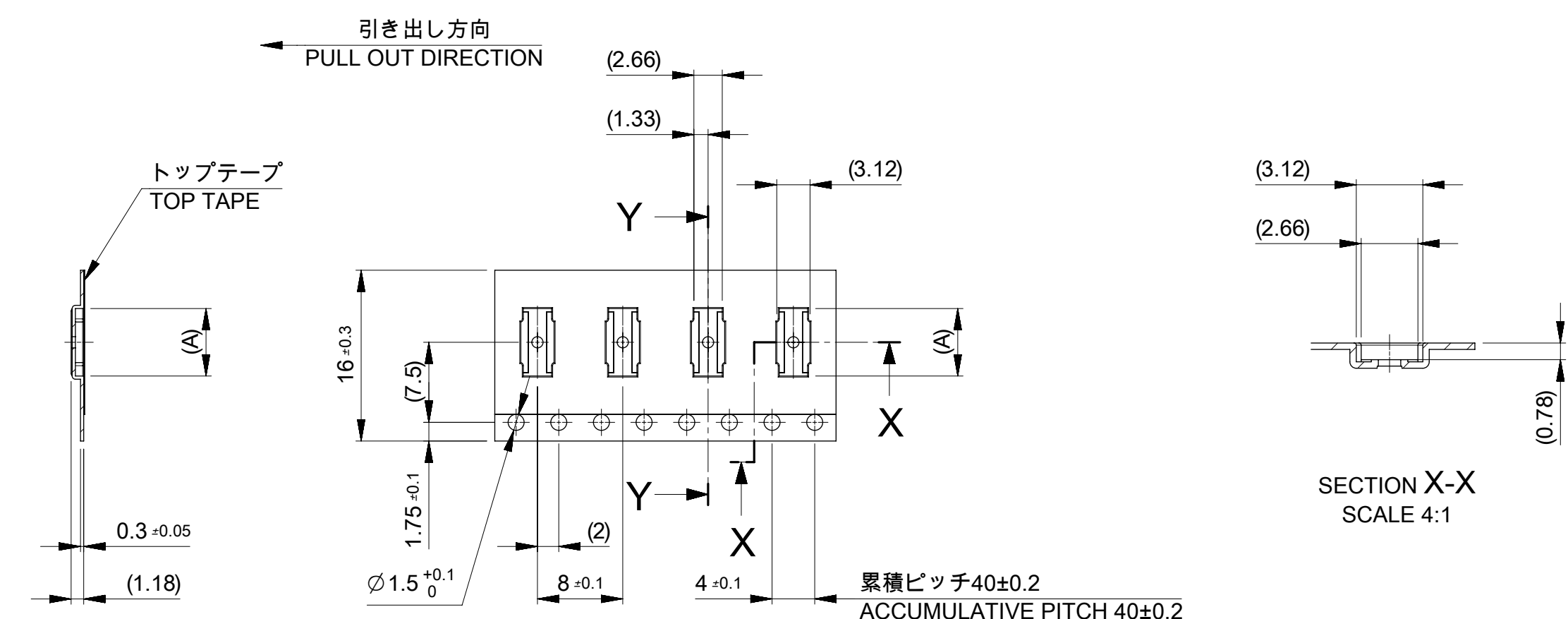


注記 NOTES

- 製品詳細寸法については製品単体図面を参照下さい。
RE DETAILED DIMENSION, SEE PRODUCT DRAWING.
- 梱包数量 : 3000個/リール
NUMBER OF CONNECTORS : 3000PCS/REEL
- リードテープ長さ
LEAD TAPE LENGTH
- カバーテープの剥離強度については、IEC60286-3に準拠
COVER TAPE PEEL FORCE IS DEFINED BY IEC60286-3.
- 材料 MATERIAL
 キャリアテープ (CARRIER TAPE) : ポリスチレン (POLYSTYRENE)
 トップテープ (TOP TAPE) : PET,OTHER
 リール (REEL) : ポリスチレン (PS) <リサイクル材を含む >
 POLYSTYRENE (PS) < RECYCLE MATERIAL CONTAINED >
- 1リール/3000個内において、欠品はなきこと
THERE SHALL BE NO MISSING PRODUCT.
- ELV及びRoHS適合品
ELV AND RoHS COMPLIANT.

MODEL No. 503304-**40

THIS DRAWING CONTAINS INFORMATION THAT IS PROPRIETARY TO MOLEX ELECTRONIC TECHNOLOGIES, LLC AND SHOULD NOT BE USED WITHOUT WRITTEN PERMISSION									
EC NO: 108474 DRWN: JFURUKAWA CHK'D: TASAKAWA APPR: TKUSUHARA01	2016/02/01		GENERAL TOLERANCES (UNLESS SPECIFIED)		DIMENSION UNITS	SCALE			
	2016/10/24		ANGULAR TOL ± 3.0 °		MM	1:1			
	2016/10/25		4 PLACES	± 0.03	DRWN BY	DATE	0.4 BB CONN. H=0.7 REC. ASSY EMBSTP PKG		
			3 PLACES	± 0.03	JFURUKAWA	2016/02/01			
			2 PLACES	± 0.05	CHK'D BY	DATE			
		1 PLACE	± 0.1	TASAKAWA	2016/10/24	PRODUCT CUSTOMER DRAWING			
		0 PLACES	± 0.2	APPR BY	DATE	SERIES	MATERIAL NUMBER	CUSTOMER	
		DRAFT WHERE APPLICABLE MUST REMAIN WITHIN DIMENSIONS		TKUSUHARA01	2016/10/25	503304	SEE CHART	GENERAL	
		DRAWING SIZE	THIRD ANGLE PROJECTION			DOCUMENT NUMBER	DOC TYPE	DOC PART	SHEET NUMBER
		A3				5033040000	PSD	000	1 OF 3



SECTION Y-Y

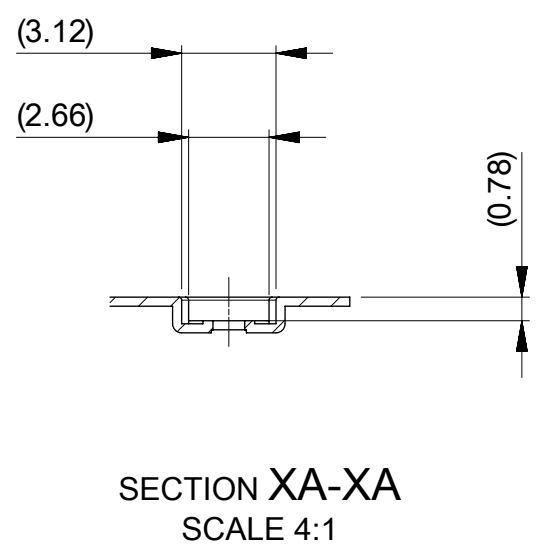
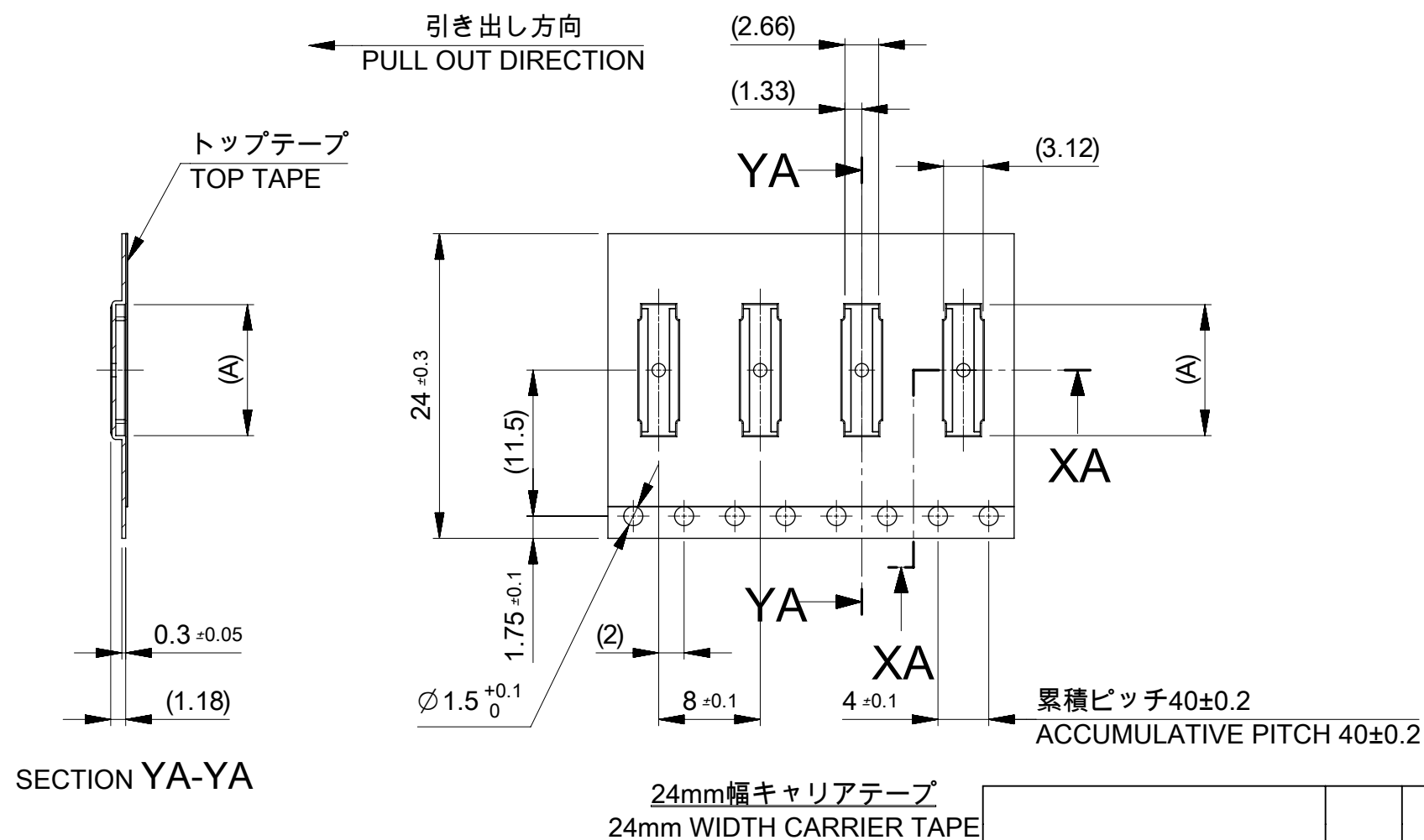
16mm幅キャリアテープ
16mm WIDTH CARRIER TAPE

SECTION X-X
SCALE 4:1

16	21.4	17.4	7.52	503304-2640	○	26
			7.12	503304-2440	○	24
			6.32	503304-2040	○	20
			5.92	503304-1840	○	18
			5.52	503304-1640	○	16
			4.72	503304-1240	○	12
キャリアテープ幅 CARRIER TAPE WIDTH	C	B	(A)	EMBOSSED PACKAGE	HIGH VOL. TOOL	極数 CKT.
				オーダー番号 ORDER No.	SAMPLE PREPARATION	
				MODEL No. 503304-**40		

THIS DRAWING CONTAINS INFORMATION THAT IS PROPRIETARY TO MOLEX ELECTRONIC TECHNOLOGIES, LLC AND SHOULD NOT BE USED WITHOUT WRITTEN PERMISSION

EC NO: 108474 DRWN: JFURUKAWA CHK'D: TASAKAWA APPR: TKUSUHARA01	2016/02/01	GENERAL TOLERANCES (UNLESS SPECIFIED) ANGULAR TOL ± 3.0 ° 4 PLACES ± 0.03 3 PLACES ± 0.03 2 PLACES ± 0.05 1 PLACE ± 0.1 0 PLACES ± 0.2 DRAFT WHERE APPLICABLE MUST REMAIN WITHIN DIMENSIONS	DIMENSION UNITS	SCALE		
	2016/10/24		MM	2:1		
	2016/10/25		DRWN BY	DATE		JFURUKAWA 2016/02/01
			CHK'D BY	DATE		TASAKAWA 2016/10/24
			APPR BY	DATE		TKUSUHARA01 2016/10/25
A	REV	DRAWING SIZE	THIRD ANGLE PROJECTION	PRODUCT CUSTOMER DRAWING		
		A3		SERIES	MATERIAL NUMBER	
				503304	SEE CHART	
				DOCUMENT NUMBER	DOC TYPE	
				5033040000	PSD	
				DOC PART	SHEET NUMBER	
				000	2 OF 3	

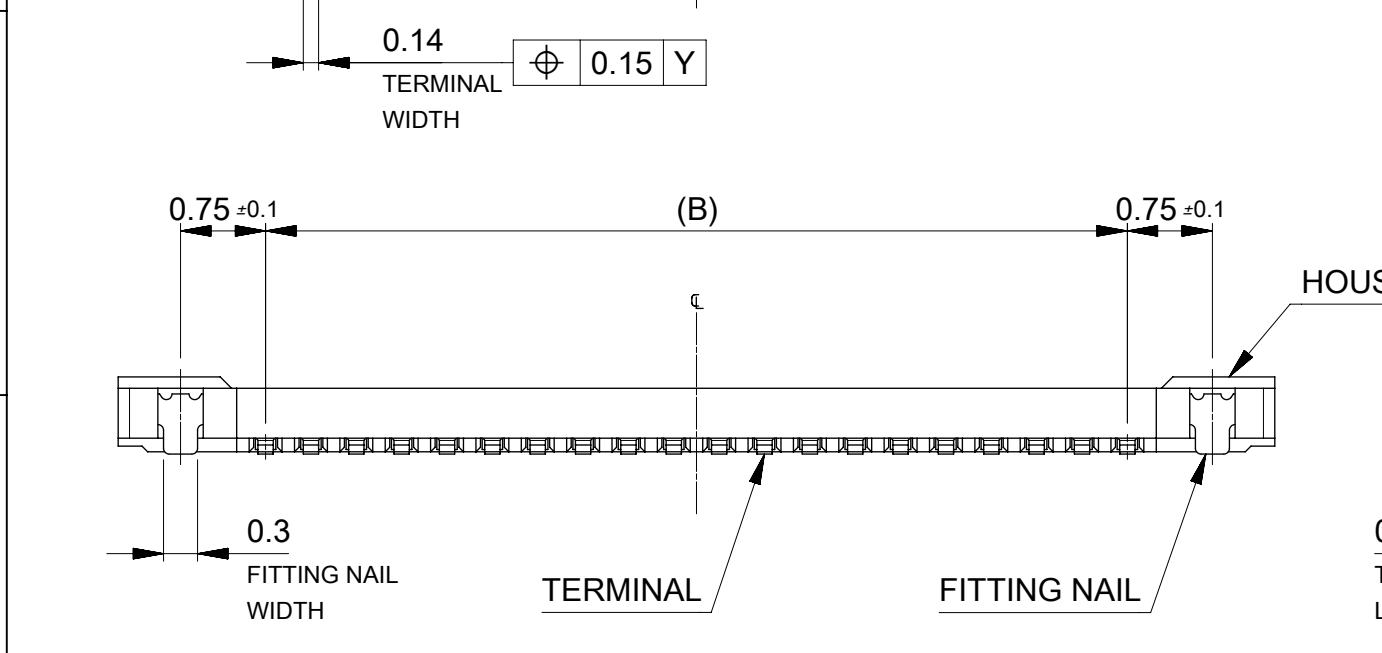
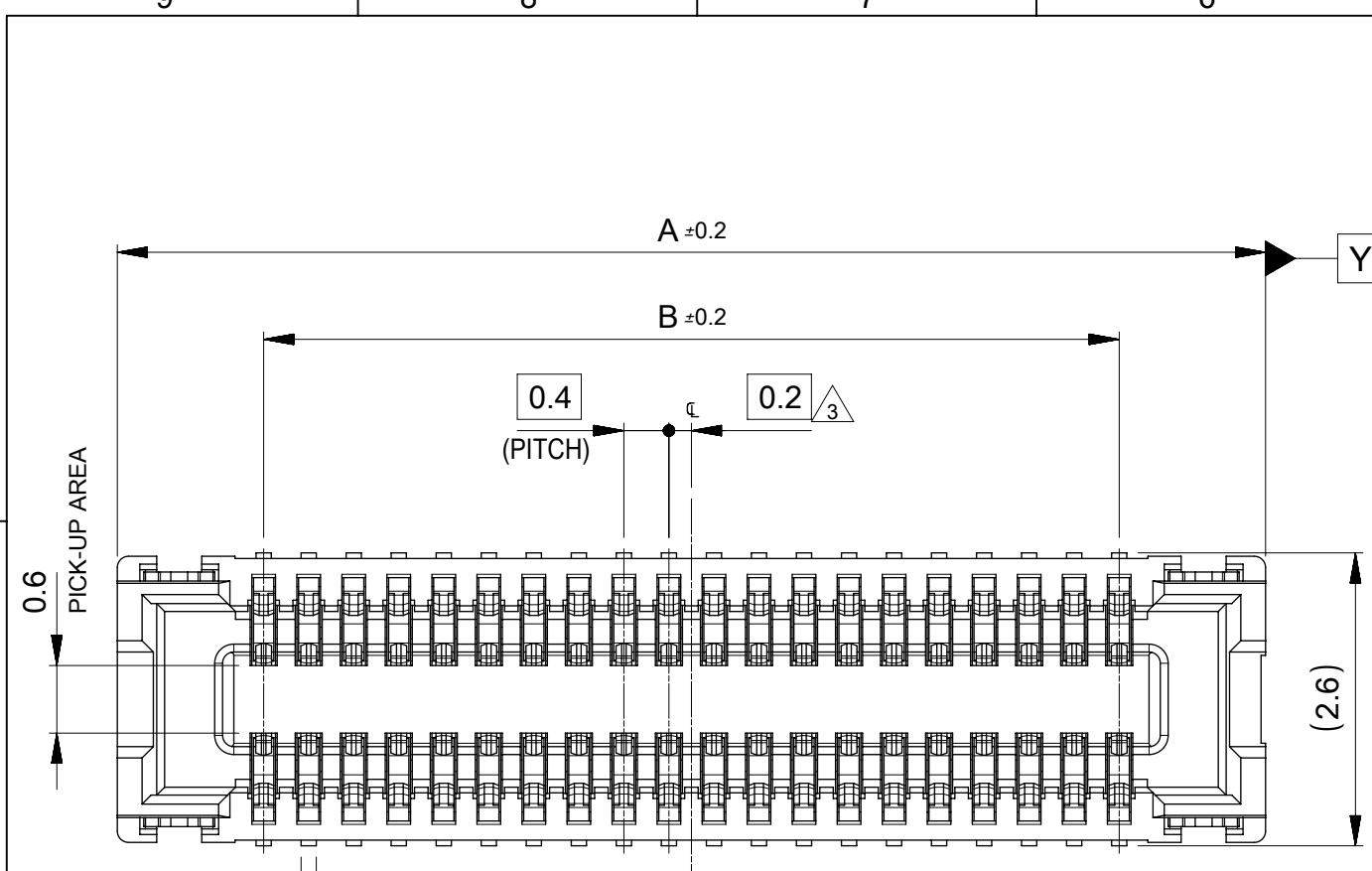


24	29.4	25.4	14.32	503304-6040	○	60
			12.32	503304-5040	○	50
			11.12	503304-4440	○	44
			10.72	503304-4240	○	42
			10.32	503304-4040	○	40
			8.32	503304-3040	○	30
キャリアテープ幅 CARRIER TAPE WIDTH	C	B	(A)	EMBOSSED PACKAGE	HIGH VOL. TOOL	極数 CKT.
				オーダー番号 ORDER No.	SAMPLE PREPARATION	
				MODEL No. 503304-**40		

THIS DRAWING CONTAINS INFORMATION THAT IS PROPRIETARY TO MOLEX ELECTRONIC TECHNOLOGIES, LLC AND SHOULD NOT BE USED WITHOUT WRITTEN PERMISSION

EC NO: 108474 DRWN: JFURUKAWA CHK'D: TASAKAWA APPR: TKUSUHARA01	2016/02/01	GENERAL TOLERANCES (UNLESS SPECIFIED) ANGULAR TOL ± 3.0 ° 4 PLACES ± 0.03 3 PLACES ± 0.03 2 PLACES ± 0.05 1 PLACE ± 0.1 0 PLACES ± 0.2 DRAFT WHERE APPLICABLE MUST REMAIN WITHIN DIMENSIONS	DIMENSION UNITS	SCALE		
	2016/10/24		MM	2:1		
	2016/10/25		DRWN BY	DATE		JFURUKAWA 2016/02/01
			CHK'D BY	DATE		TASAKAWA 2016/10/24
			APPR BY	DATE	TKUSUHARA01 2016/10/25	
			DRAWING SIZE	THIRD ANGLE PROJECTION		
			A3			

PRODUCT CUSTOMER DRAWING		
SERIES	MATERIAL NUMBER	CUSTOMER
503304	SEE CHART	GENERAL
DOCUMENT NUMBER	DOC TYPE	DOC PART
5033040000	PSD	000
SHEET NUMBER		
3 OF 3		



注記 NOTES

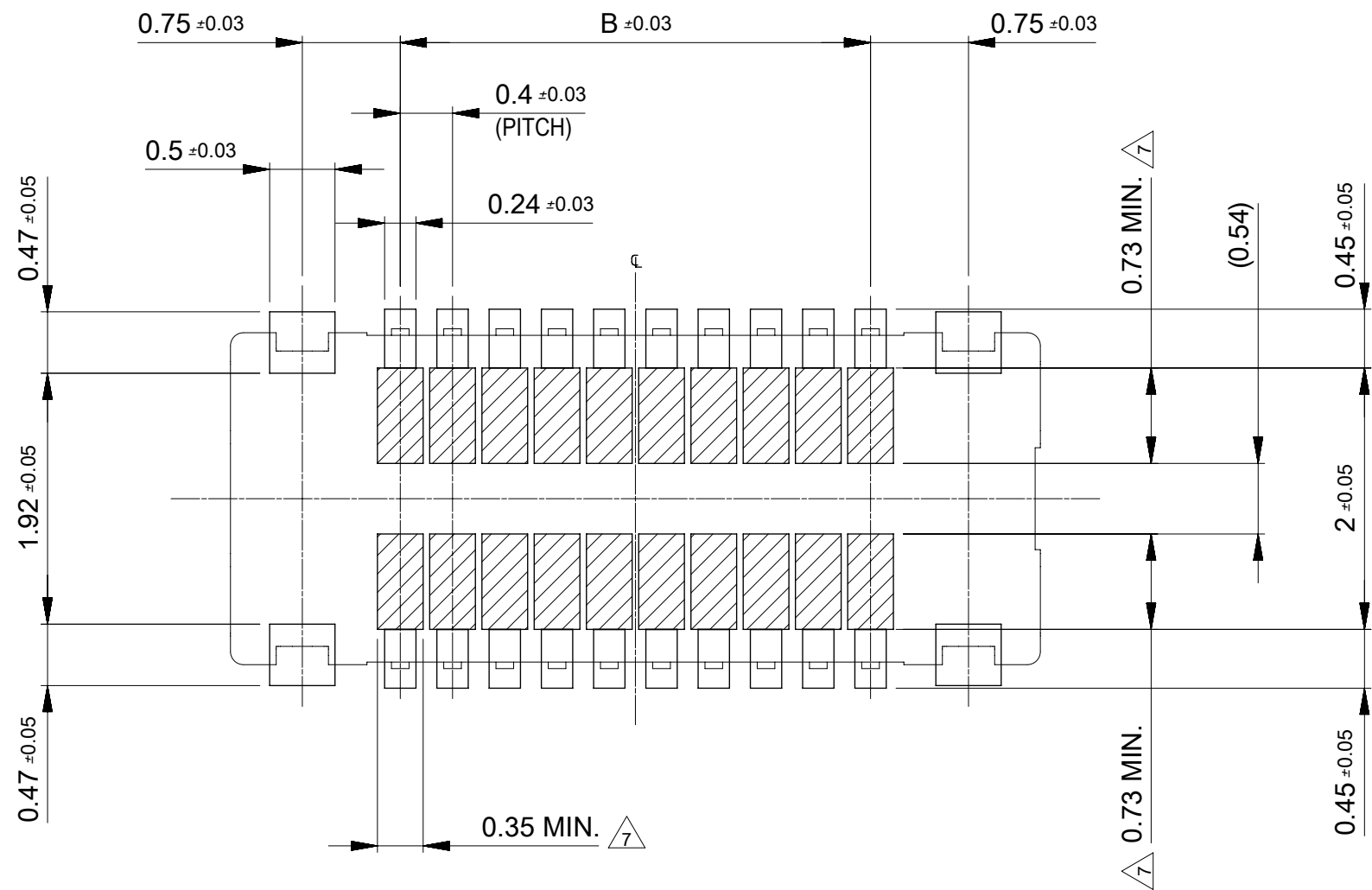
1. 使用材料 MATERIAL
 ハウジング : 液晶ポリマー(LCP) UL94V-0(黒)
 HOUSING : LIQUID CRYSTAL POLYMER, UL94V-0 (COLOR : BLACK)
 ターミナル : 銅合金
 TERMINAL : COPPER ALLOY
 金具 : 銅合金
 FITTING NAIL : COPPER ALLOY
2. めっき仕様 PLATING
 ターミナル TERMINAL
 コンタクト部 : 金めっき 0.1マイクロメートル以上
 CONTACT AREA : GOLD 0.1 MICROMETER MINIMUM.
 テール部 : 金めっき
 SOLDER TAIL AREA : GOLD
 下地めっき : ニッケルめっき 1.0マイクロメートル以上
 UNDER PLATING : NICKEL 1.0 MICROMETER MINIMUM.
 ※コンタクト部とテール部は、ニッケルめっきによって分断されている金めっきです。
 DIVIDE INTO PARTS THE GOLD PLATING OF THE CONTACT AND THE TAIL PART BY THE NICKEL PLATING.
- 金具 FITTING NAIL
 錫めっき : 1.0マイクロメートル以上
 TIN PLATING : 1.0 MICROMETER MINIMUM.
 下地めっき : ニッケルめっき 1.0マイクロメートル以上
 UNDER PLATING : NICKEL 1.0 MICROMETER MINIMUM.

- △₃ (全極数/2)=偶数の場合に適用。
 APPLY FOR (CIRCUIT/2)=EVEN.
4. 嵌合相手 : 503308シリーズ
 MATE WITH : 503308 SERIES.
5. テール平坦度は、0.08以下。
 テール及び金具の平坦度は、0.1以下。
 TAIL COPLANARITY TO BE 0.08 MAXIMUM.
 TAIL AND FITTING NAIL COPLANARITY TO BE 0.1 MAXIMUM.
6. ELV AND RoHS COMPLIANT.
- △₇ パターン及び半田禁止エリア
 (当該箇所においては、これと接する回路以外の配線を禁止する。また、接する回路を配線する場合はレジストを施し、この部分に半田は無きこととする。)
 PROHIBITED AREA OF PATTERN WIRING AND SOLDER.
 (FOR EACH AREA, THE WIRING THAT TOUCHES ON THE SOLDER CAN BE ATTACHED. THEN COVERD WITH A FILM TO KEEP SOLDER OUT.)

11.6	14.2	503304-6040	○	60
9.6	12.2	503304-5040	○	50
8.4	11.0	503304-4440	○	44
8.0	10.6	503304-4240	○	42
7.6	10.2	503304-4040	○	40
5.6	8.2	503304-3040	○	30
4.8	7.4	503304-2640	○	26
4.4	7.0	503304-2440	○	24
3.6	6.2	503304-2040	○	20
3.2	5.8	503304-1840	○	18
2.8	5.4	503304-1640	○	16
2.0	4.6	503304-1240	○	12
B	A	EMBOSSED PACKAGE	HIGH VOL. TOOL	極数
		オーダー番号 ORDER No.	SAMPLE PREPARATION	CIRCUITS
CONNECTOR SERIES No. : 503304-**49				

THIS DRAWING CONTAINS INFORMATION THAT IS PROPRIETARY TO MOLEX ELECTRONIC TECHNOLOGIES, LLC AND SHOULD NOT BE USED WITHOUT WRITTEN PERMISSION

EC NO: 108474 DRWN: JFURUKAWA CHK'D: TASAKAWA APPR: TKUSUHARA01	2016/01/13	GENERAL TOLERANCES (UNLESS SPECIFIED) ANGULAR TOL ± 3.0 ° 4 PLACES ± 0.03 3 PLACES ± 0.03 2 PLACES ± 0.05 1 PLACE ± 0.1 0 PLACES ± 0.2 DRAFT WHERE APPLICABLE MUST REMAIN WITHIN DIMENSIONS	DIMENSION UNITS	SCALE				
	2016/10/24		MM	15:1				
	2016/10/25		DRWN BY	DATE		JFURUKAWA 2016/01/13		
			CHK'D BY	DATE		TASAKAWA 2016/10/24		
			APPR BY	DATE	PRODUCT CUSTOMER DRAWING			
			TKUSUHARA01	2016/10/25	SERIES	MATERIAL NUMBER	CUSTOMER	
					503304	SEE CHART	GENERAL	
			DRAWING SIZE	THIRD ANGLE PROJECTION	DOCUMENT NUMBER	DOC TYPE	DOC PART	SHEET NUMBER
			A3		5033041000	PSD	000	1 OF 2



RECOMMENDED P.W.BOARD PATTERN LAYOUT (REFERENCE)

RECOMMENDED THICKNESS OF METAL MASK : t=0.1 mm

RECOMMENDED OPEN APERTURE RATIO OF METAL MASK : 100%

THIS DRAWING CONTAINS INFORMATION THAT IS PROPRIETARY TO MOLEX ELECTRONIC TECHNOLOGIES, LLC AND SHOULD NOT BE USED WITHOUT WRITTEN PERMISSION

EC NO: 108474 DRWN: JFURUKAWA CHK'D: TASAKAWA APPR: TKUSUHARA01	2016/01/13	GENERAL TOLERANCES (UNLESS SPECIFIED)		DIMENSION UNITS	SCALE	
	2016/10/24	ANGULAR TOL ± 3.0 °		MM	20:1	
	2016/10/25	4 PLACES	± 0.03	DRWN BY	DATE	
		3 PLACES	± 0.03	JFURUKAWA	2016/01/13	
		2 PLACES	± 0.05	CHK'D BY	DATE	
	1 PLACE	± 0.1	TASAKAWA	2016/10/24		
	0 PLACES	± 0.2	APPR BY	DATE		
			TKUSUHARA01	2016/10/25		
			DRAFT WHERE APPLICABLE MUST REMAIN WITHIN DIMENSIONS		DRAWING SIZE	THIRD ANGLE PROJECTION
				A3		

molex

0.4 BB CONN. H=0.7 REC. ASSY

PRODUCT CUSTOMER DRAWING

SERIES	MATERIAL NUMBER	CUSTOMER
503304	SEE CHART	GENERAL

DOCUMENT NUMBER	DOC TYPE	DOC PART	SHEET NUMBER
5033041000	PSD	000	2 OF 2