

- NOTES:
1. MATERIAL:
SHIELD: DEEP DRAW STEEL;
HOUSING: LCP, UL94V-0, NATURAL (WHITE);
TAIL ALIGNER: LCP, UL94V-0, NATURAL (WHITE);
CONTACT: COPPER ALLOY;
JACKPOST: STEEL.
 2. PLATING: SEE SHEET 2.
 3. PRODUCT CONFORMS TO MOLEX PRODUCT SPECIFICATION NUMBER PS-74320-001. REFER TO THIS SPECIFICATION FOR SPACING ON A P.C.B. OF TWO OR MORE CONNECTORS WHEN USING A CABLE OR AN ADAPTER ASSEMBLY.
 4. SEE SHEET 2 FOR RECOMMENDED PANEL CUT-OUT AND P.C.B. LAYOUT.
 5. PARTS WILL BE PACKAGED IN TRAYS PER PK-74320-009.
 6. PRODUCT CONFORMS TO DDWG DVI SPECIFICATION. REFER TO THIS SPECIFICATION FOR CONNECTOR MATING DIMENSIONS.
 7. RECOMMENDED MOUNTING HARDWARE IS MOLEX P/N 71781-0001 OR 82007-0300 OR 88780-6066. REFER TO PRODUCT SPECIFICATION NUMBER PS-74320-001 FOR THIS APPLICATION TORQUE REQUIREMENT FOR ASSMBLING MOUNTING HARDWARE.
- △ CAVITY ID AND MANUFACTURING PLANT CODE.

74320-4006	74320-4026	47570-0002
PART NUMBER	CONNECTOR	JACKPOST

REVISED EC NO: SH2015-0200 DRWN:XQZHANG 2014/12/11 CHKD:XQZHANG 2014/12/11 APPR:AYIN 2015/02/09	QUALITY SYMBOLS	GENERAL TOLERANCES (UNLESS SPECIFIED)		DIMENSION STYLE IN/MM		SCALE 1:1	DESIGN UNITS INCH	THIRD ANGLE PROJECTION
	▽ _A =0	mm	INCH	DRAWN BY	DATE	TITLE		
	▽ _B =0	4 PLACES ± --- ± ---	XQZHANG	2014/12/11	DVI-DIGITAL RIGHT ANGLE RECEPTACLE CONNECTOR WITH JACKPOST			
	▽ _C =0	3 PLACES ± --- ± 0.010	CHECKED BY	DATE	molex			
▽ _D =0	2 PLACES ± 0.25 ± 0.010	XQZHANG	2014/12/11					
		1 PLACE ± 0.25 ± 0.010	APPROVED BY	DATE	MATERIAL NO.	DOCUMENT NO.	SHEET NO.	
		0 PLACE ± --- ± ---	AYIN	2015/02/09	74320-4006	SD-74320-103	1 OF 2	
		ANGULAR ± 0.5°	DRAFT WHERE APPLICABLE MUST REMAIN WITHIN DIMENSIONS			THIS DRAWING CONTAINS INFORMATION THAT IS PROPRIETARY TO MOLEX INCORPORATED AND SHOULD NOT BE USED WITHOUT WRITTEN PERMISSION		

10 9 8 7 6 5 4 3 2 1

F

E

D

C

B

A

F

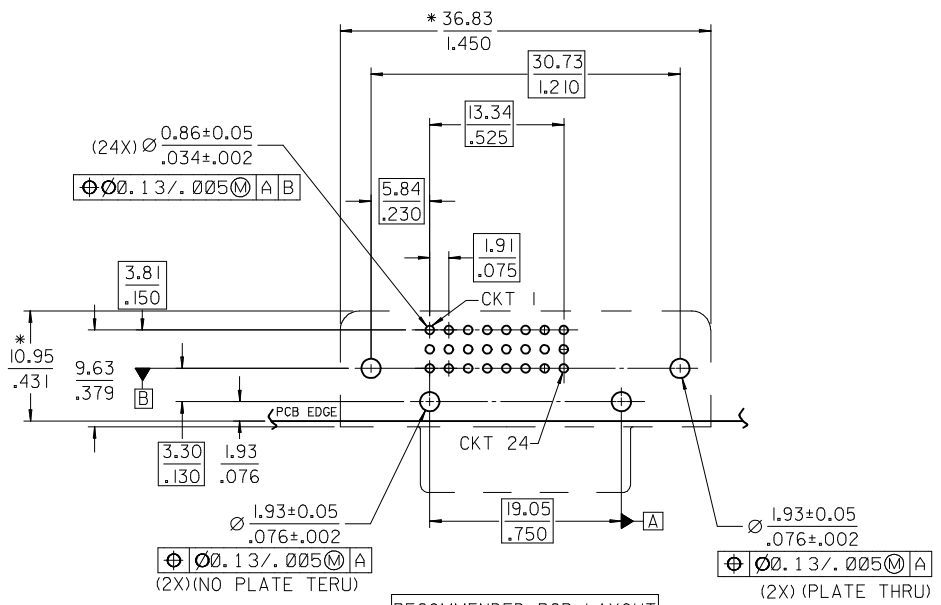
E

D

C

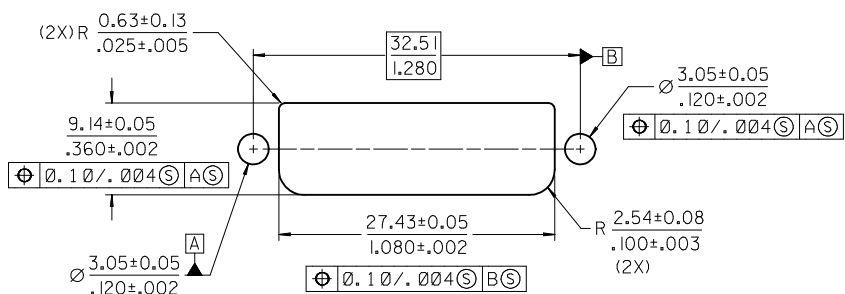
B

A



* THESE DIMENSIONS REPRESENT CONNECTOR OVERLAY ON PCB

PLATING OPTION :
 OUTER SHIELD -- 150µ/3.75µm MIN. BRIGHT TIN OVER
 50µ/(1.27µm) MIN. NICKEL OVER COPPER FLASH.
 .075"/1.91mm CONTACTS -- SELECT GOLD FLASH AND
 100µ/2.50µm MIN. SELECT PURE TIN
 OVER 50µ/1.27µm MIN. NICKEL OVERALL.



RECOMMEND PANEL CUT-OUT
 PANEL THICKNESS: 0.76/.030 - 1.02/.040

SEE SHEET 1
 IEC NO: SH2015-0200 2014/12/11
 DRAWN: XQZHANG 2014/12/11
 CHKD: XQZHANG 2014/12/11
 APPR: AYIN 2015/02/09

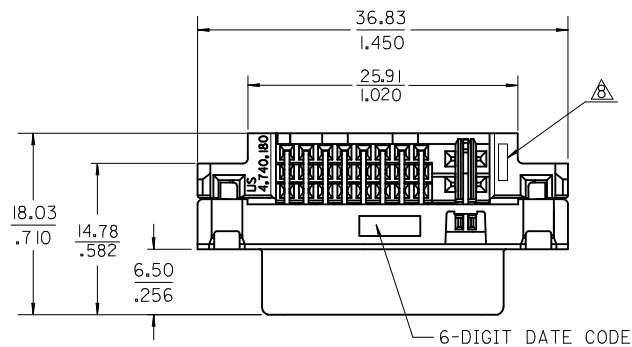
REV	DESCRIPTION
1	QUALITY SYMBOLS
2	QUALITY SYMBOLS
3	QUALITY SYMBOLS

GENERAL TOLERANCES (UNLESS SPECIFIED)	
	mm INCH
4 PLACES	± --- ± ---
3 PLACES	± --- ± 0.010
2 PLACES	± 0.25 ± 0.010
1 PLACE	± 0.25 ± 0.010
0 PLACE	± --- ± ---
ANGULAR ± 0.5°	
DRAFT WHERE APPLICABLE MUST REMAIN WITHIN DIMENSIONS	

DIMENSION STYLE IN/MM	
DRAWN BY	DATE
XQZHANG	2014/12/11
CHECKED BY	DATE
XQZHANG	2014/12/11
APPROVED BY	DATE
AYIN	2015/02/09
MATERIAL NO.	
SEE SHEET 1	

SCALE 1:1	DESIGN UNITS INCH	THIRD ANGLE PROJECTION
TITLE		
DVI-DIGITAL RIGHT ANGLE RECEPTACLE CONNECTOR WITH JACKPOST		
molex		
DOCUMENT NO. SD-74320-103		SHEET NO. 2 OF 2
THIS DRAWING CONTAINS INFORMATION THAT IS PROPRIETARY TO MOLEX INCORPORATED AND SHOULD NOT BE USED WITHOUT WRITTEN PERMISSION		

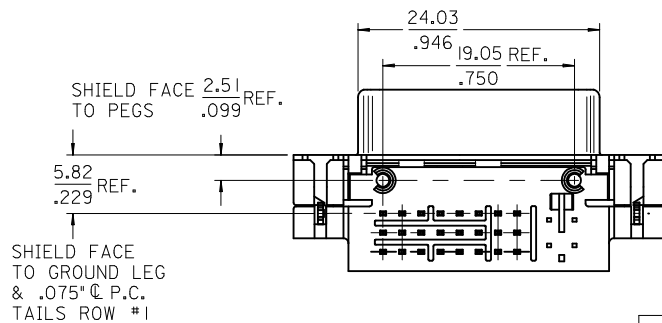
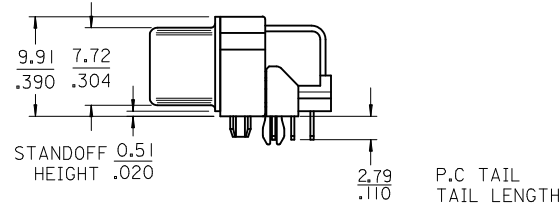
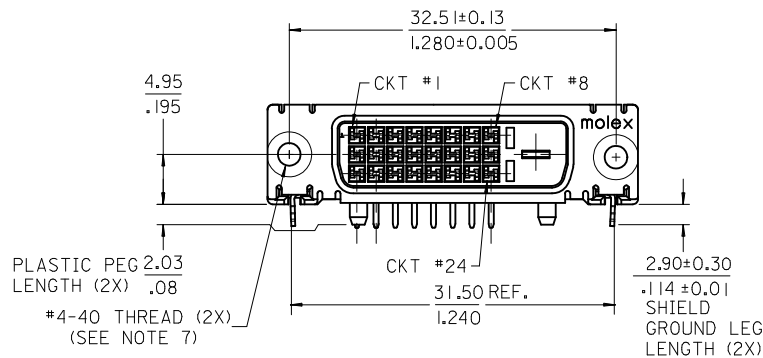
9 8 7 6 5 4 3 2 1



NOTES:

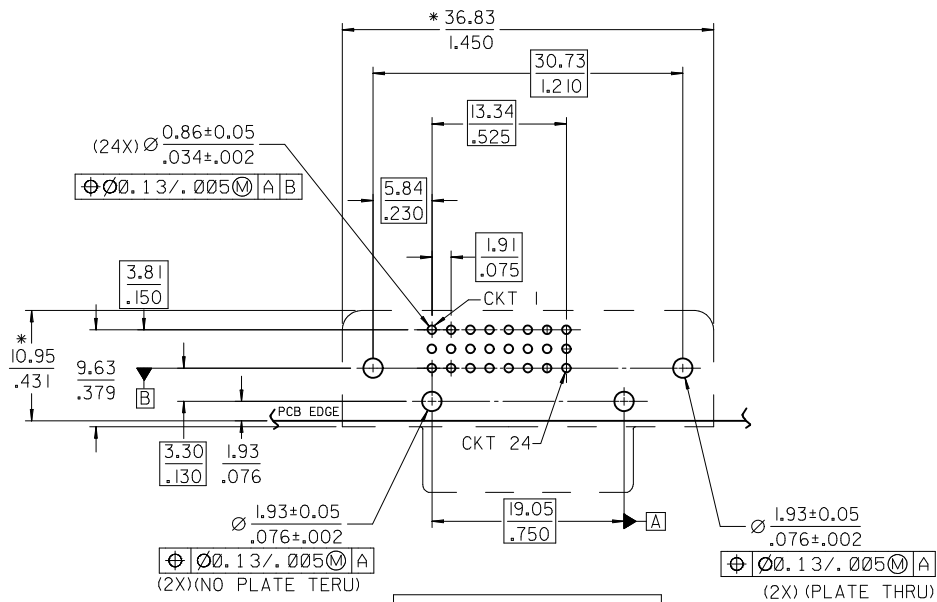
- MATERIALS:
 SHIELD -- DEEP DRAW STEEL.
 HOUSING -- GLASS FILLED POLYMER, NATURAL (WHITE), UL 94v-0.
 TAIL ALIGNER -- GLASS FILLED POLYMER, NATURAL (WHITE), UL 94v-0.
 CONTACTS -- COPPER ALLOY.
 MICROCROSS GROUND -- COPPER ALLOY.
 JACKPOSTS -- STEEL
- PLATING: SEE SHEET 2
- PRODUCT CONFORMS TO MOLEX PRODUCT SPECIFICATION NUMBER PS-74320-001. REFER TO THIS SPECIFICATION FOR SPACING ON A P.C.B. OF TWO OR MORE CONNECTORS WHEN USING A CABLE OR AN ADAPTER ASSEMBLY.
- SEE SHEET 2 FOR RECOMMENDED PANEL CUT-OUT AND P.C.B. LAYOUT.
- PARTS WILL BE PACKAGED IN TRAYS PER PK-74320-009.
- PRODUCT CONFORMS TO DDWG DVI SPECIFICATION. REFER TO THIS SPECIFICATION FOR CONNECTOR MATING DIMENSIONS.
- RECOMMENDED MOUNTING HARDWARE IS MOLEX P/N : 88780-6066 OR 82007-0300. OR 71781-0001. REFER TO PRODUCT SPECIFICATION NUMBER PS-74320-001 FOR THE APPLICATION TORQUE REQUIREMENT FOR ASSEMBLING MOUNTING HARDWARE.

△ CAVITY NO. AND MANUFACTURING PLANT CODE.



PART NUMBER	CONNECTOR	JACKPOST
74320-4006	74320-4026	47570-0002

REVISE EC NO: SH2012-0047 TDRWN:XJSONG CHKD: APPR:RZHANG 2011/08/19 2011/08/22	QUALITY SYMBOLS	GENERAL TOLERANCES (UNLESS SPECIFIED)	DIMENSION STYLE	SCALE	DESIGN UNITS	THIRD ANGLE PROJECTION
	▽=0 ◻=0	mm INCH 4 PLACES ± --- ± --- 3 PLACES ± --- ± .010 2 PLACES ± 0.25 ± .010 1 PLACE ± 0.25 ± .010 ANGULAR ± 3°	MM/IN	2:1	INCH	
	DRAFT WHERE APPLICABLE MUST REMAIN WITHIN DIMENSIONS	DRAWN BY DATE XJSONG 2007/04/02 CHECKED BY DATE JTIAN 2007/04/02 APPROVED BY DATE JNCHEN 2007/04/02 MATERIAL NO. 74320-4006	TITLE DVI-DITITAL RIGHT ANGLE RECEPTACLE CONNECTOR WITH JACKPOSTS MOLEX INCORPORATED DOCUMENT NO. SD-74320-103			
			SIZE A3 THIS DRAWING CONTAINS INFORMATION THAT IS PROPRIETARY TO MOLEX INCORPORATED AND SHOULD NOT BE USED WITHOUT WRITTEN PERMISSION			SHEET NO. 1 OF 2

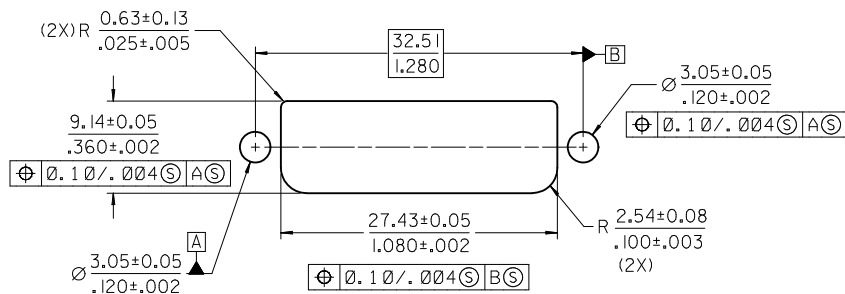


RECOMMENDED PCB LAYOUT

* THESE DIMENSIONS REPRESENT CONNECTOR OVERLAY ON PCB

PLATING OPTION :

OUTER SHIELD -- 150u"/3.75um MIN. BRIGHT TIN OVER
 50u"/(1.27um) MIN. NICKEL OVER COPPER FLASH.
 .075"/1.91mm CONTACTS -- SELECT GOLD FLASH AND
 100u"/2.50um MIN. SELECT PURE TIN
 OVER 50u"/1.27um MIN. NICKEL OVERALL.



RECOMMEND PANEL CUT-OUT
 PANEL THICKNESS: 0.76/.030 - 1.02/.040

SEE SHEET 1
 EC NO: SH2012-0047 2011/08/19
 TDRW: XJSONG 2011/08/19
 CHKD:
 APPR: RZHANG 2011/08/22

QUALITY SYMBOLS
 ▽=0
 ◻=0

GENERAL TOLERANCES (UNLESS SPECIFIED)

	mm	INCH
4 PLACES	± ---	± ---
3 PLACES	± ---	± .010
2 PLACES	± 0.25	± .010
1 PLACE	± 0.25	± .010

ANGULAR ± 3 °

DRAFT WHERE APPLICABLE
 MUST REMAIN
 WITHIN DIMENSIONS

DIMENSION STYLE
 MM/IN

DRAWN BY XJSONG DATE 2007/04/02
 CHECKED BY JTIAN DATE 2007/04/02
 APPROVED BY JNCHEN DATE 2007/04/02

MATERIAL NO. 67351-4006

SCALE 1:1
 DESIGN UNITS INCH
 THIRD ANGLE PROJECTION

TITLE
 DVI-DITITAL RIGHT ANGLE
 RECEPTACLE CONNECTOR
 WITH JACKPOSTS

MOLEX INCORPORATED
 DOCUMENT NO. SD-74320-103 SHEET NO. 2 OF 2

THIS DRAWING CONTAINS INFORMATION THAT IS PROPRIETARY TO MOLEX INCORPORATED AND SHOULD NOT BE USED WITHOUT WRITTEN PERMISSION