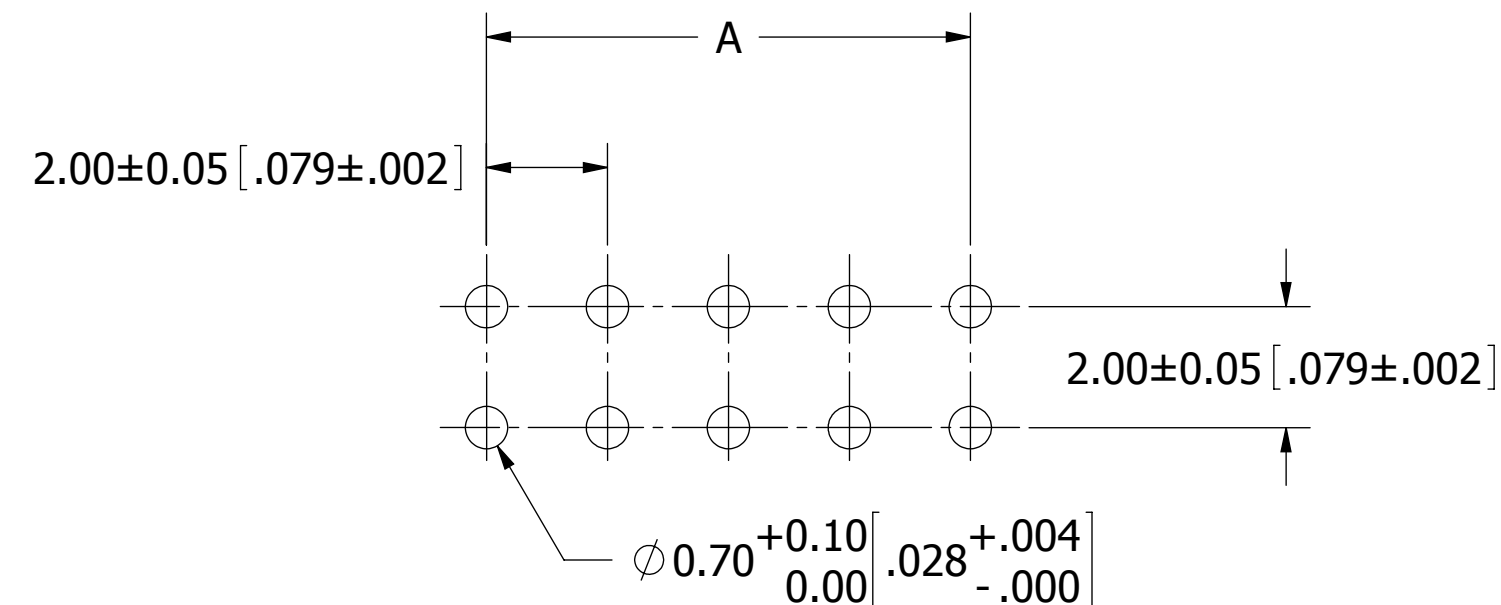
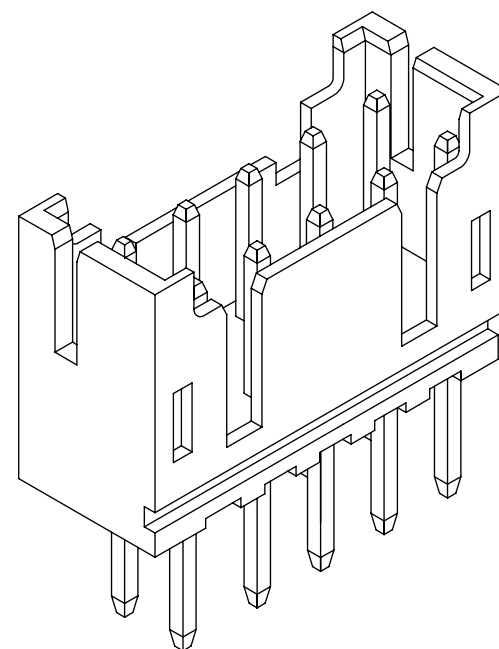
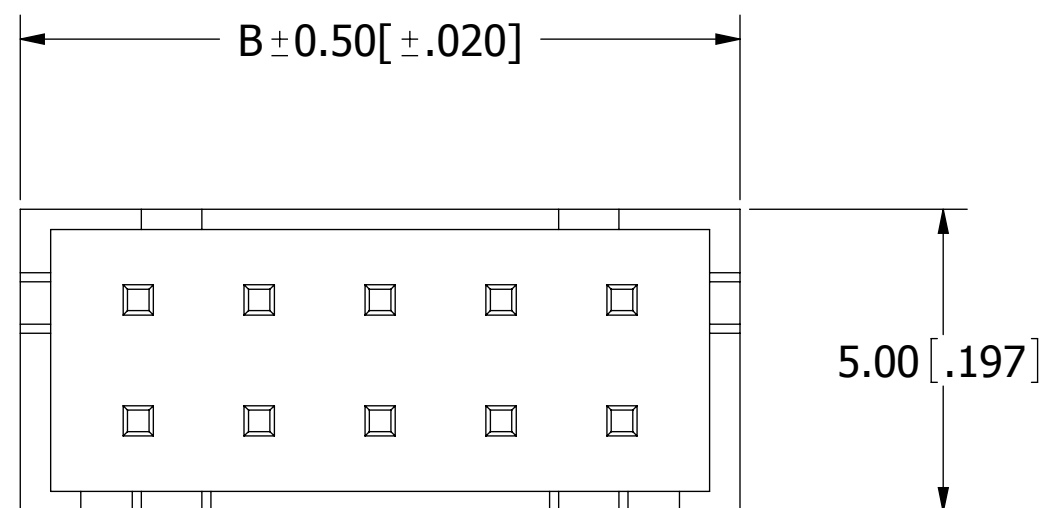


# PART NUMBER CODING

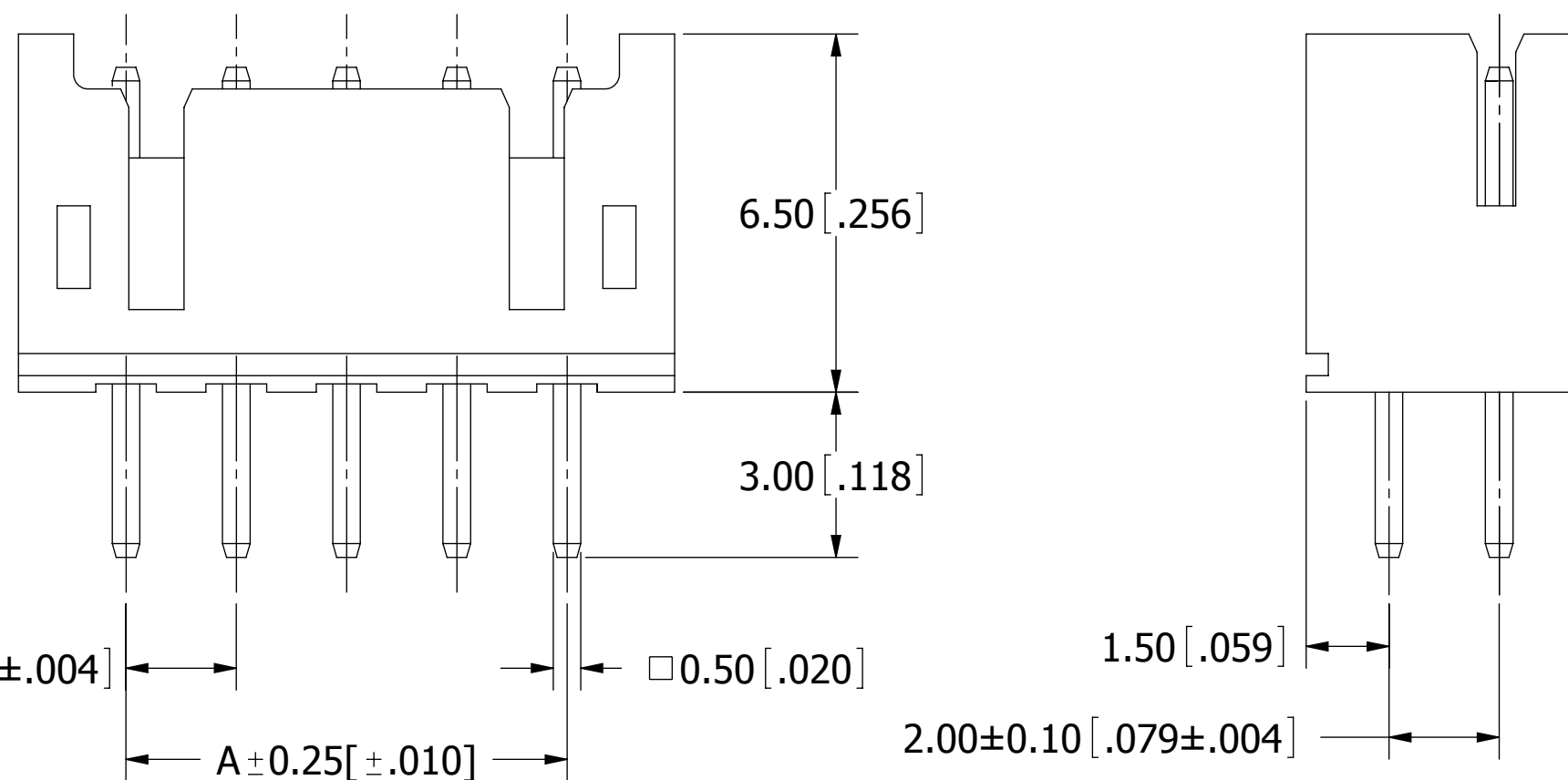
## SWR204-NRTN-D\_\_-ST-GA

**NUMBER OF POSITIONS**

(CONTACTS PER ROW)



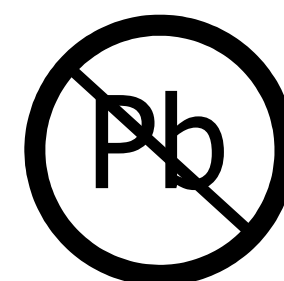
**RECOMMENDED PCB LAYOUT**  
P.C. BOARD THICKNESS: 1.6mm [.063"]



Part Number	Positions/ Contacts	A		B	
		MM	INCH	MM	INCH
SWR204-NRTN-D02-ST-GA	02/04	2.00	0.079	5.90	0.232
SWR204-NRTN-D03-ST-GA	03/06	4.00	0.157	7.90	0.311
SWR204-NRTN-D04-ST-GA	04/08	6.00	0.236	9.90	0.390
SWR204-NRTN-D05-ST-GA	05/10	8.00	0.315	11.90	0.469
SWR204-NRTN-D06-ST-GA	06/12	10.00	0.394	13.90	0.547
SWR204-NRTN-D07-ST-GA	07/14	12.00	0.472	15.90	0.626
SWR204-NRTN-D08-ST-GA	08/16	14.00	0.551	17.90	0.705
SWR204-NRTN-D09-ST-GA	09/18	16.00	0.630	19.90	0.783
SWR204-NRTN-D10-ST-GA	10/20	18.00	0.709	21.90	0.862
SWR204-NRTN-D11-ST-GA	11/22	20.00	0.787	23.90	0.941
SWR204-NRTN-D12-ST-GA	12/24	22.00	0.866	25.90	1.020
SWR204-NRTN-D13-ST-GA	13/26	24.00	0.945	27.90	1.098
SWR204-NRTN-D14-ST-GA	14/28	26.00	1.024	29.90	1.177
SWR204-NRTN-D15-ST-GA	15/30	28.00	1.102	31.90	1.256
SWR204-NRTN-D16-ST-GA	16/32	30.00	1.181	33.90	1.335
SWR204-NRTN-D17-ST-GA	17/34	32.00	1.260	35.90	1.413
SWR204-NRTN-D20-ST-GA	20/40	38.00	1.496	41.90	1.650

**NOTES:**

1. INSULATOR MATERIAL: NYLON 66, UL94V-0, COLOR: GREY.
2. CONTACT MATERIAL: BRASS.
3. CONTACT PLATING: .000020" MIN. NICKEL UNDERPLATE, PURE TIN, BRIGHT OVERALL.
4. CURRENT RATING: 3 AMPS PER CONTACT.
5. VOLTAGE RATING: 50V AC/DC.
6. INSULATOR RESISTANCE: 1000 MEGOHMS MIN.
7. CONTACT RESISTANCE: 10 MILLIOHMS MAX.
8. DIELECTRIC WITHSTANDING VOLTAGE: 800V AC.
9. OPERATING TEMPERATURE: -25° C TO +85° C.
10. MATES WITH SWH204 SERIES DUAL ROW HOUSING.



**RoHS COMPLIANT**

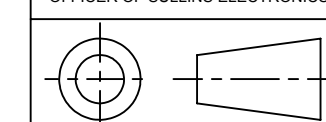
UNLESS OTHERWISE SPECIFIED:  
DIMENSIONS ARE IN MM[INCHES]

TOLERANCES: ANGULAR:  
.X = ± 0.3 [.01]  
.XX = ± 0.30 [.012]

INTERPRET DIMENSIONS AND  
TOLERANCING  
PER: ASME Y14.5M-2009

DRAWN DATE NAME  
05/25/2011 LH

THE INFORMATION HEREIN CONTAINS  
PROPRIETARY INFORMATION OF  
SULLINS ELECTRONICS AND IS NOT  
TO BE REPRODUCED, USED OR  
DISCLOSED TO OTHERS FOR ANY  
PURPOSE EXCEPT AS SPECIFICALLY  
AUTHORIZED IN WRITING BY AN  
OFFICER OF SULLINS ELECTRONICS.



TITLE  
WAFER 2.0mm [.079"] CC, DUAL ROW, ST

PART NUMBER  
SWR204-NRTN-D\_\_-ST-GA

SIZE CAGE CODE DWG. NO. REV  
C 54453 11629 A

SCALE: 8:1 SHEET 1 OF 1