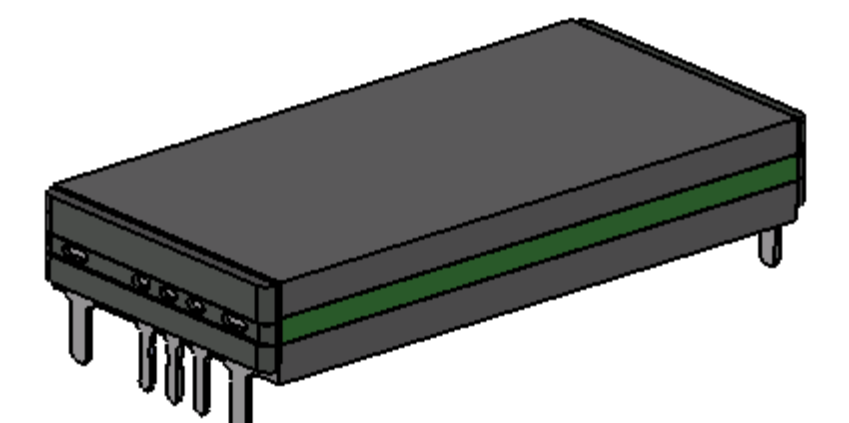
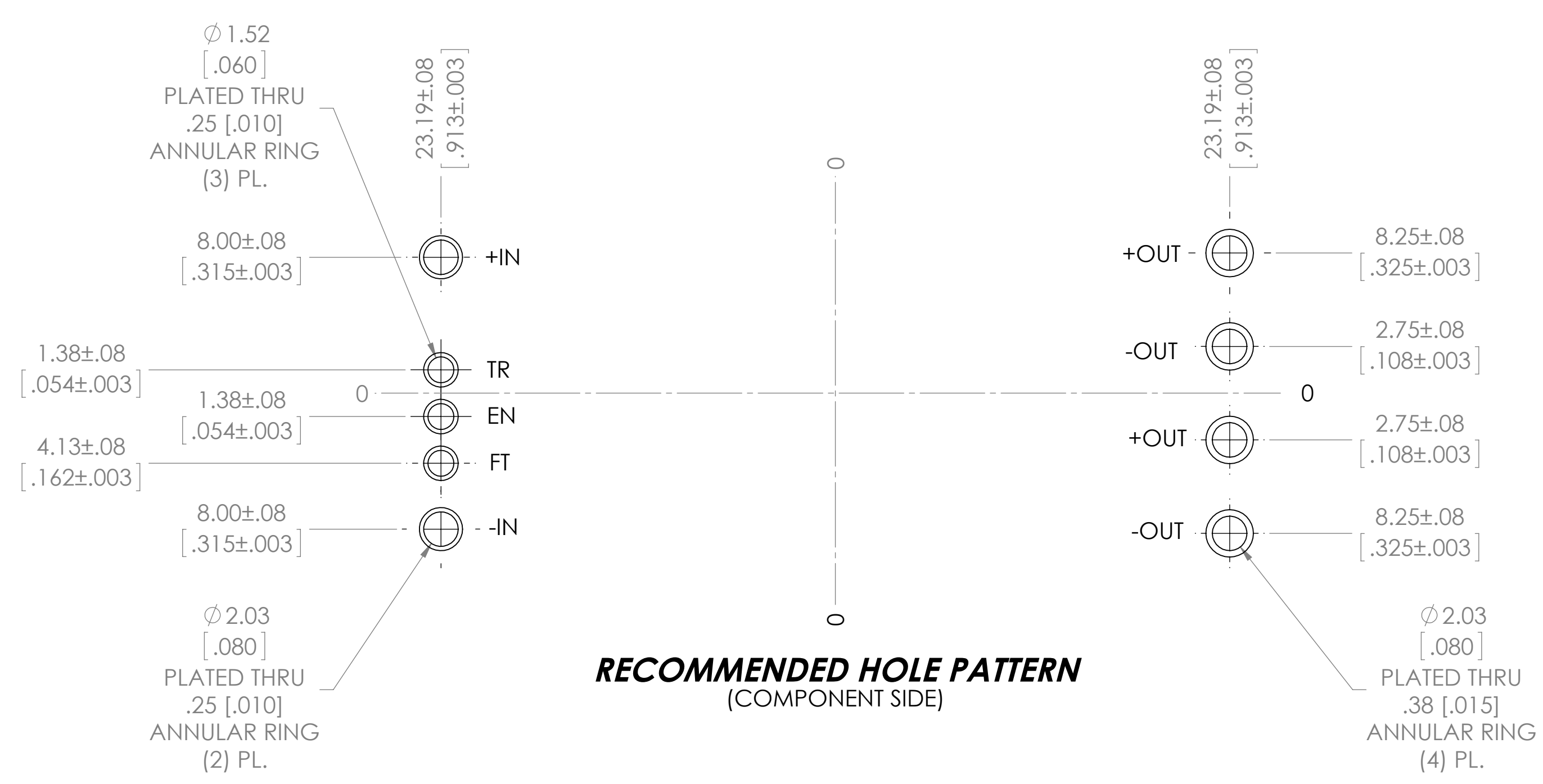
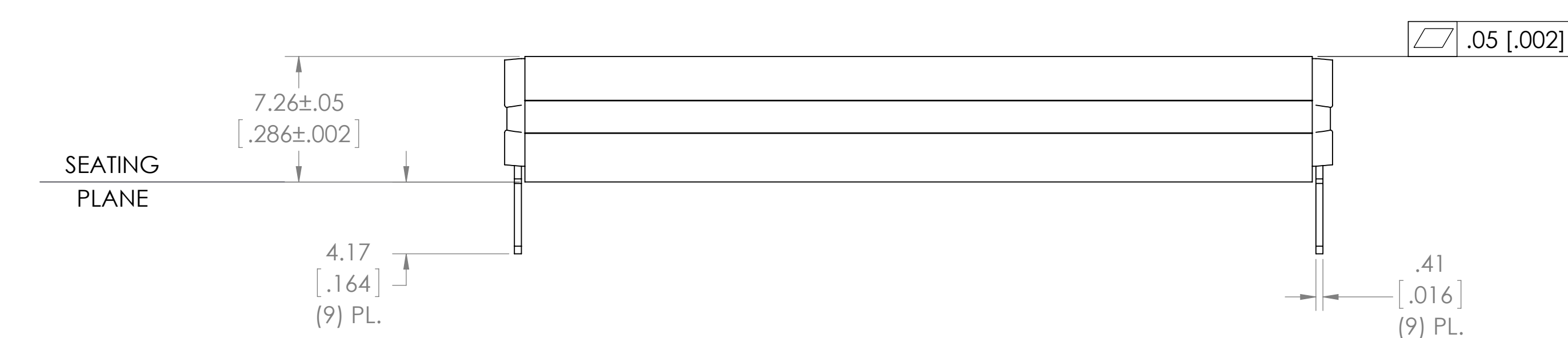
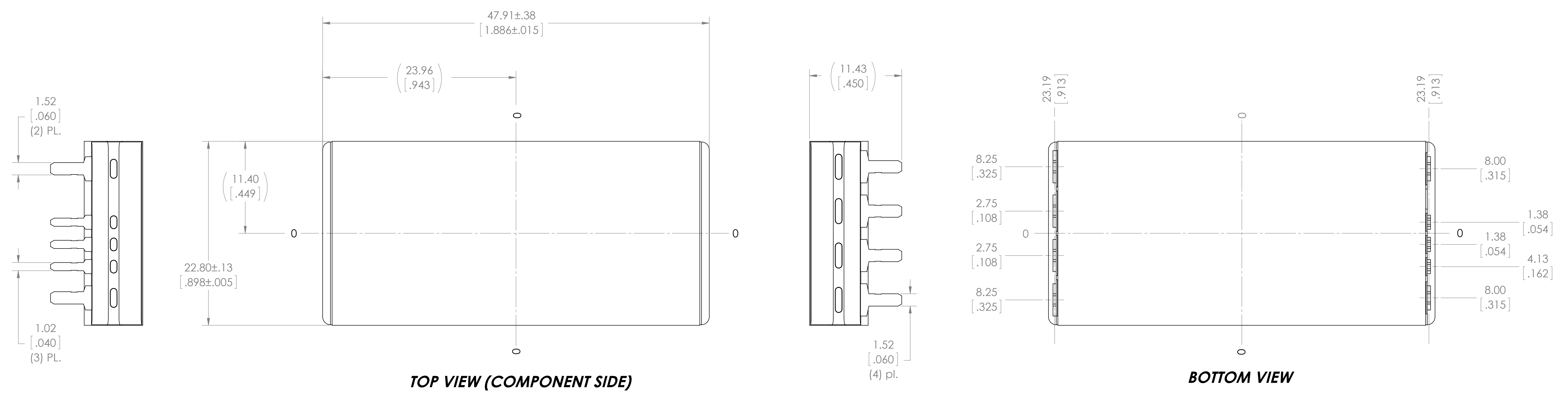


REV.	DESCRIPTION	INTL	DATE	APVD
1	RELEASED PER E140206	GCK	02/18/14	SE
2	REVISED PER E141414	SJW	12/19/14	REJH



NOTES:
1- RoHS COMPLIANT PER CST-0001 LATEST REVISION.

DRAWN BY R.E.J. Hickey	DATE 9/9/2013	VICOR <small>SWD</small>	
UNLESS OTHERWISE SPECIFIED DIMENSIONS ARE : INCH / [MM]		PRODUCT OUTLINE 4623 THRU HOLE	
TOLERANCES ARE: DECIMALS XXX [X.X] = +0.01 [0.25] X.XXX [X.XXX] = ±0.005 [0.127]	ANGLES ±1°	SIZE D	CAGE CODE 67131
THIRD ANGLE PROJECTION 	SCALE 4:1	DWG NO 40257	REV 2
DO NOT SCALE DRAWING		SHEET 1 OF 1	