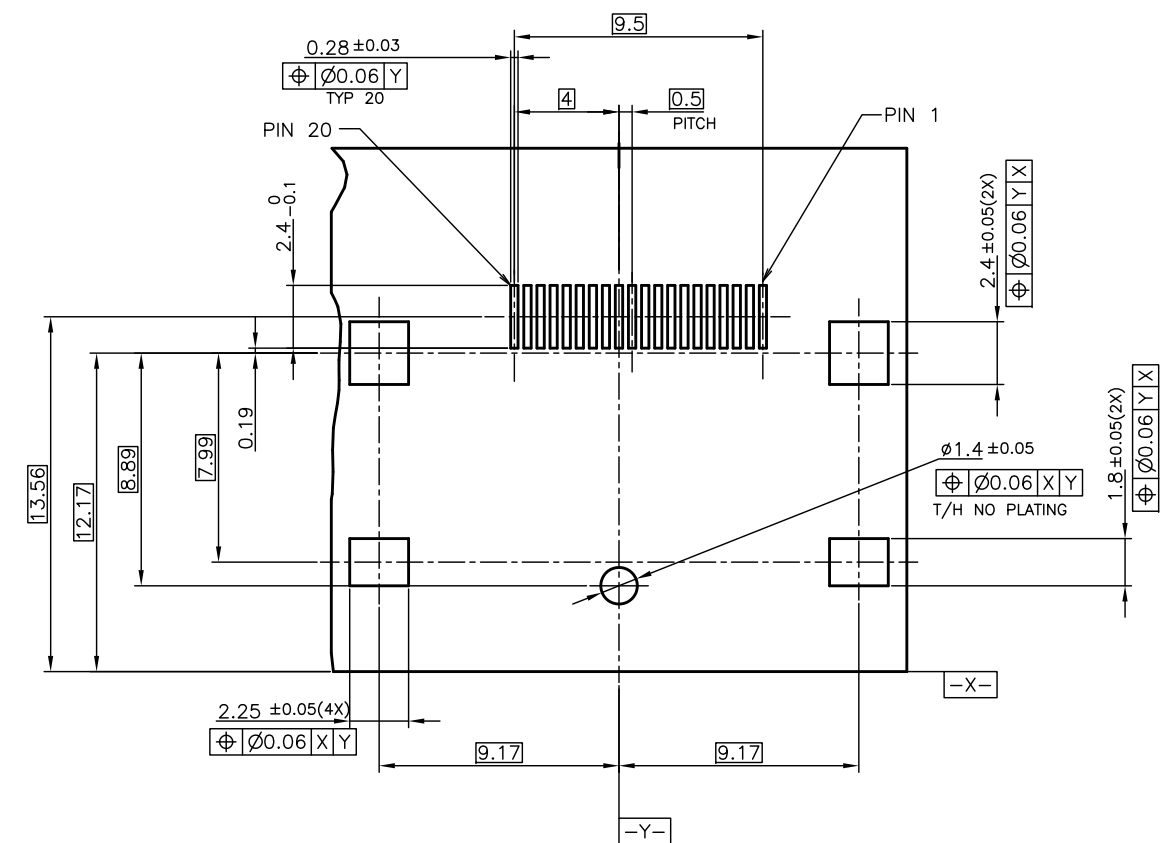
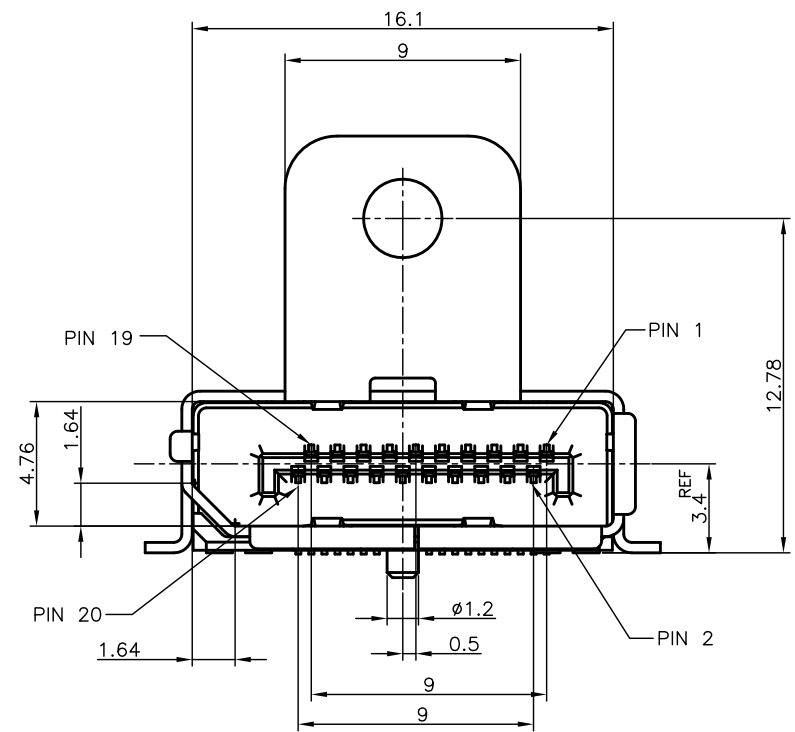
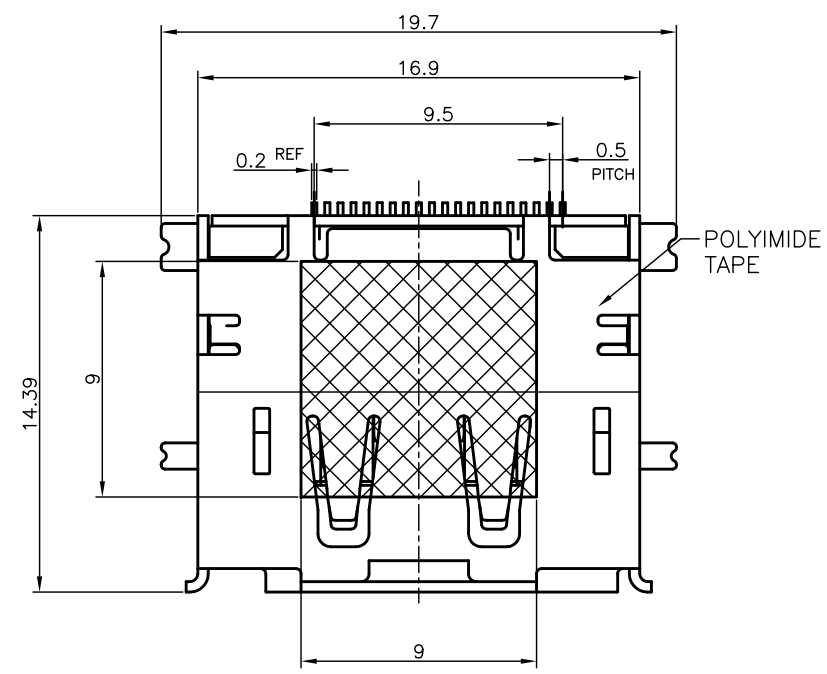


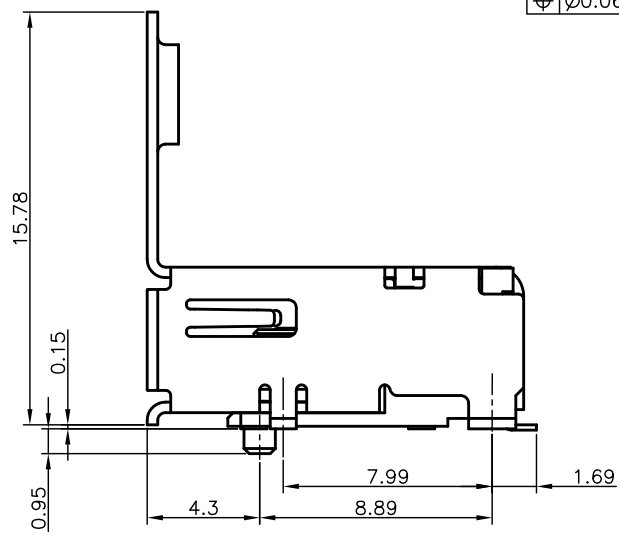
THIS DRAWING IS UNPUBLISHED. RELEASED FOR PUBLICATION JUL. 2008.  
 © COPYRIGHT 2008 BY TYCO ELECTRONICS CORPORATION. ALL RIGHTS RESERVED.

LOC	DIST	REVISONS		
DW		P	LTR	DESCRIPTION
		D		REVISED (ECR-09-027891)
			DATE	DWN
			14JAN2010	V.P.
				H.K

P/N:5-2040247-5; AS SHOWN



RECOMMENDED PCB LAYOUT MOUNTING SIDE



- △ MATERIAL:  
 HOUSING: HIGH TEMPERATURE THERMAL PLASTIC, BLACK, UL94V-0  
 CONTACT: COPPER ALLOY  
 SHELL: COPPER ALLOY
- △ FINISH:  
 CONTACT: CONTACT AREA: 0.76 MINIMUM MICRON GOLD PLATING OVER  
 1.27 MINIMUM MICRON NICKEL PLATING ALL  
 SOLDER TAIL AREA: 2.54 MINIMUM MICRON MATTE TIN PLATING.  
 SHELL: MATTE TIN PLATING.
- 3 THIS PRODUCT IS PACKED IN REEL.
- 4 HALOGEN FREE.

WITH	5-2040247-5
WITHOUT	2040247-5
POLYIMIDE TAPE	PART NUMBER

THIS DRAWING IS A CONTROLLED DOCUMENT.		DWN	Y.HIRATA	15FEB2008	Tyco Electronics Corporation Kawasaki, Japan
DIMENSIONS: 単位: 珪 mm		CHK	T.KUSUHARA	15FEB2008	
TOLERANCES UNLESS OTHERWISE SPECIFIED: 一般公差		APVD	T.KUSUHARA	15FEB2008	NAME 名称
0 PLC ± 0.3		PRODUCT SPEC 製品規格		RECEPTACLE ASSEMBLY	
1 PLC ± 0.3		108-78515		DISPLAYPORT RA SMT STD	
2 PLC ± 0.3		APPLICATION SPEC 取付適用規格		SMT-LEG WITH FLANGE	
3 PLC ± 0.3		SIZE	A2	CAGE CODE	00779
4 PLC ± 0.3		WEIGHT	2.82g	DRAWING NO	2040247
ANGLES ± 2°		CUSTOMER DRAWING		RESTRICTED TO	
MATERIAL 材料	FINISH 仕上	SCALE 尺度 5:1		SHEET 1 of 3	REV D

4

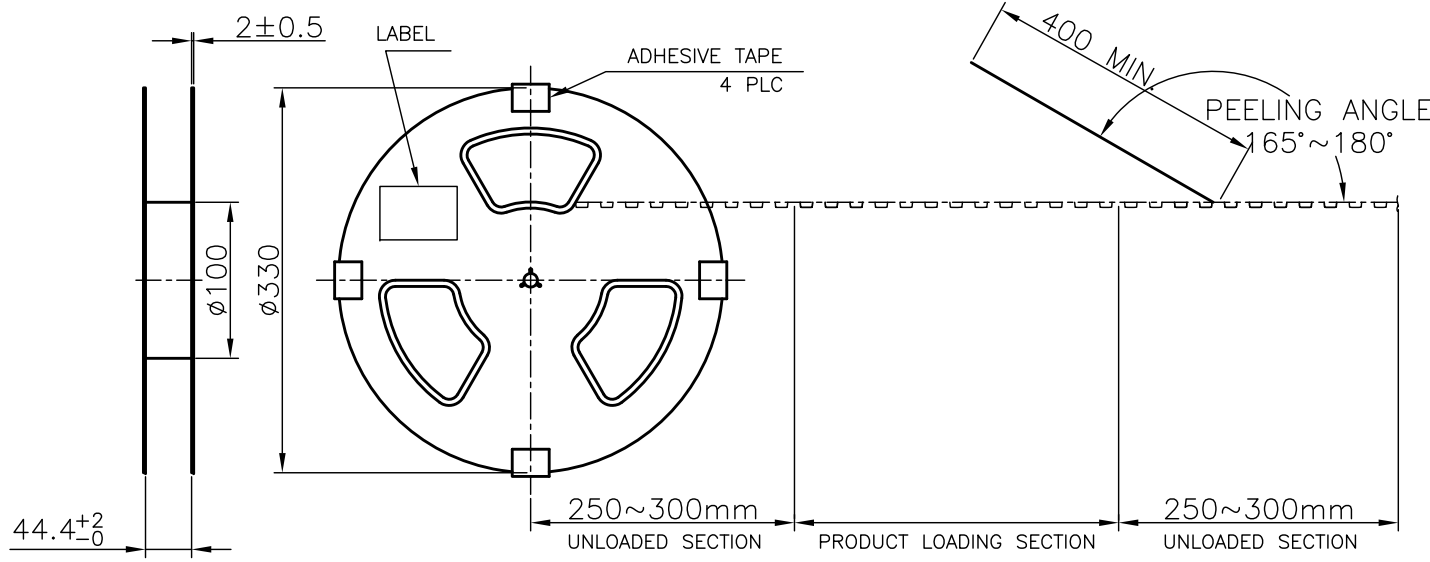
3

2

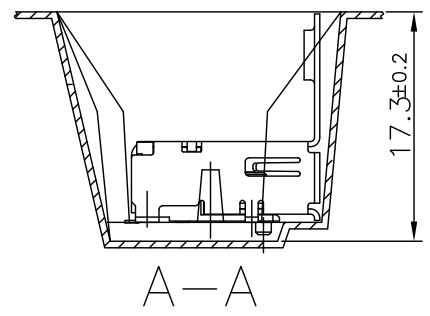
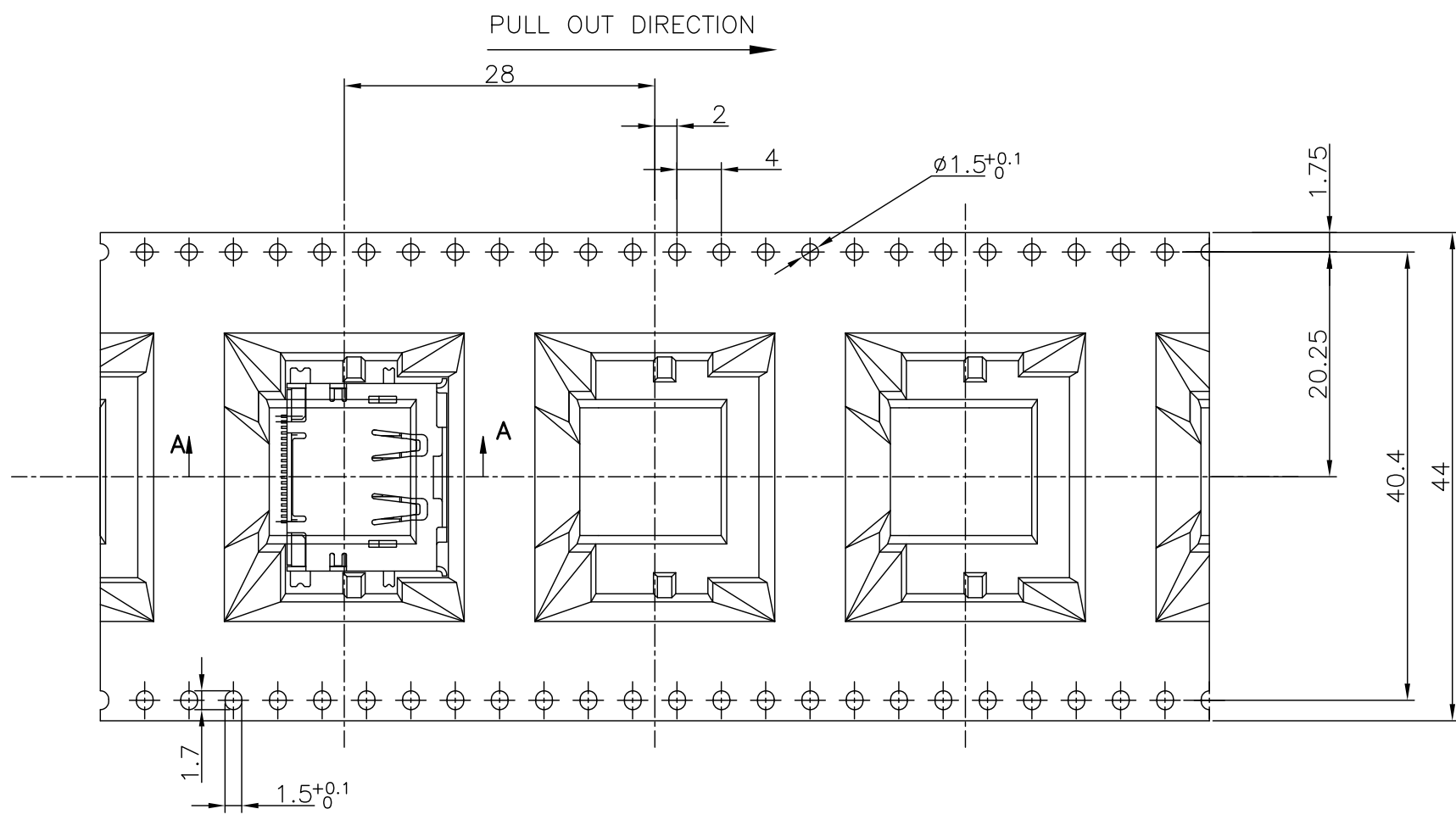
1

THIS DRAWING IS UNPUBLISHED. RELEASED FOR PUBLICATION JUL., 2008.  
 © COPYRIGHT 2008 BY TYCO ELECTRONICS CORPORATION. ALL RIGHTS RESERVED.

LOC		DIST		REVISIONS			DATE	DWN	APVD
DW		P	LTR	DESCRIPTION					
				SEE SHEET 1					



PCAKING FOR 2040247-5



THIS DRAWING IS A CONTROLLED DOCUMENT.		DWN	Tyco Electronics Corporation Kawasaki, Japan	
DIMENSIONS: 単位: 珪 mm		CHK	NAME 名稱	
TOLERANCES UNLESS OTHERWISE SPECIFIED: 一般公差		APVD	RECEPTACLE ASSEMBLY DISPLAYPORT RA SMT STD SMT-LEG WITH FLANGE	
0 PLC $\pm 0.3$		PRODUCT SPEC	SIZE	CAGE CODE
1 PLC $\pm 0.3$		製品規格	A2	00779
2 PLC $\pm 0.3$		APPLICATION SPEC	DRAWING NO. 2040247	
3 PLC $\pm 0.3$		取付通用規格	RESTRICTED TO	
4 PLC $\pm 0.3$		WEIGHT		
ANGLES $\pm 2'$		CUSTOMER DRAWING	SCALE	SHEET
FINISH 位上			NTS	2 of 3
				REV D

2040247

4

3

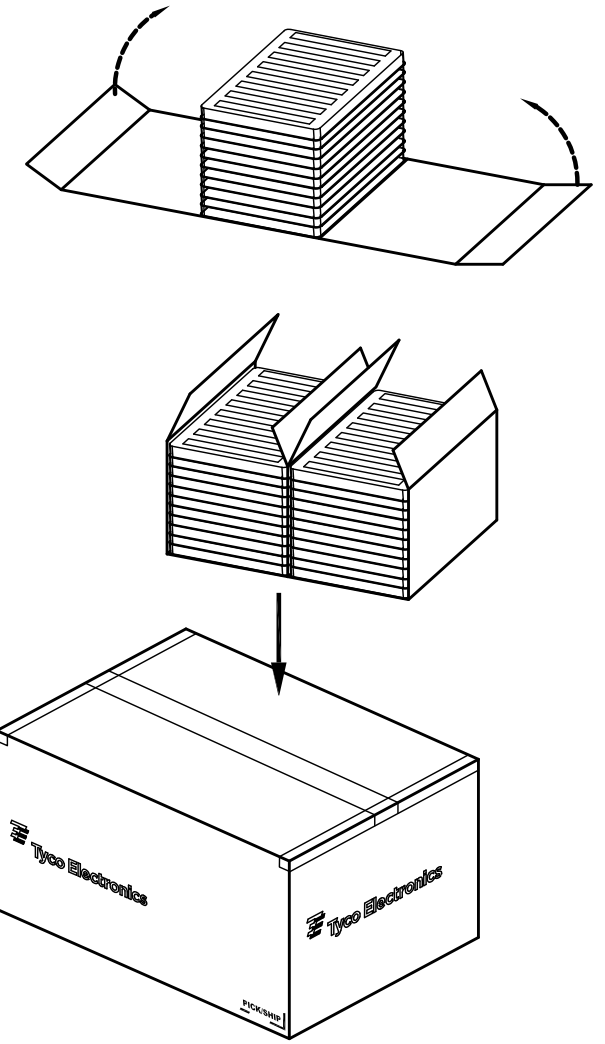
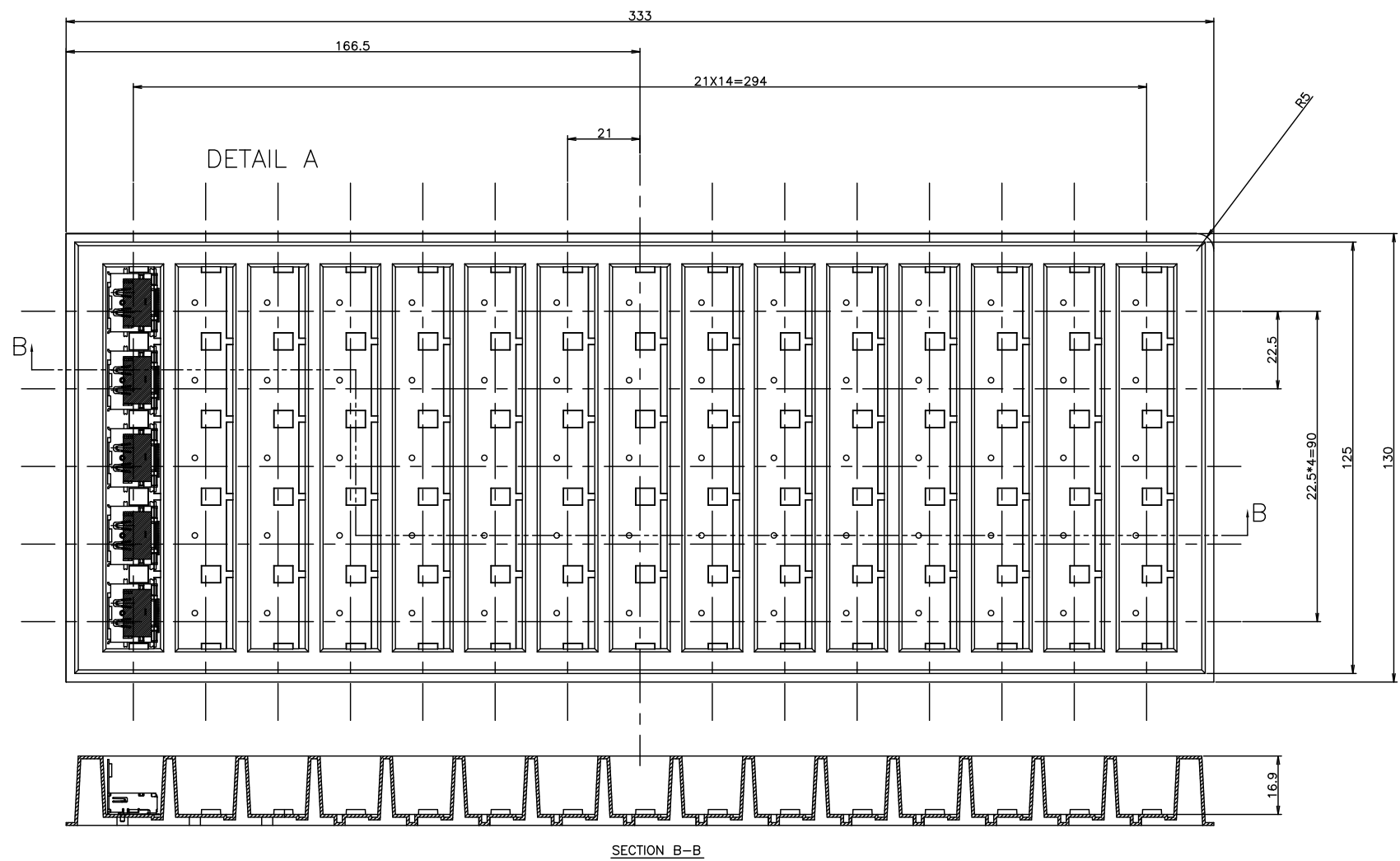
2

1

THIS DRAWING IS UNPUBLISHED. RELEASED FOR PUBLICATION JUL., 2008.  
 © COPYRIGHT 2008 BY TYCO ELECTRONICS CORPORATION. ALL RIGHTS RESERVED.

LOC DW	DIST	REVISIONS 変更			DATE	DWN	APVD
		P	LTR	DESCRIPTION			
		-	-	SEE SHEET 1	-	-	-

PACKING FOR 5-2040247-5



- 1. PACKING MATERIAL :
  - 1.1 TRAY: PS
  - 1.2 SHIPPING CARTON: CORRUGATED FIBER
- 2. QUANTITY :
  - 2.1 PRIMARY PACKING: 75 PCS/TRAY
  - 2.2 SECONDARY PACKING: 20 TRAY (1500 PCS)/BOX

THIS DRAWING IS A CONTROLLED DOCUMENT.		DWN 16FEB2008	Tyco Electronics Corporation Kawasaki, Japan	
DIMENSIONS: 単位: 珪 mm		CHK	NAME 名称	
TOLERANCES UNLESS OTHERWISE SPECIFIED: 一般公差		APVD	RECEPTACLE ASSEMBLY DISPLAYPORT RA SMT STD SMT-LEG WITH FLANGE	
0 PLC ± 0.3		PRODUCT SPEC 製品規格	SIZE A2	CAGE CODE 00779
1 PLC ± 0.3		APPLICATION SPEC 取付適用規格	DRAWING NO 2040247	RESTRICTED TO
2 PLC ± 0.3		WEIGHT	SCALE 尺度 NTS	
3 PLC ± 0.3		CUSTOMER DRAWING	SHEET 3 of 3	REV D
4 PLC ± 0.3				
ANGLES ± 2°				
FINISH 位上				

2040247