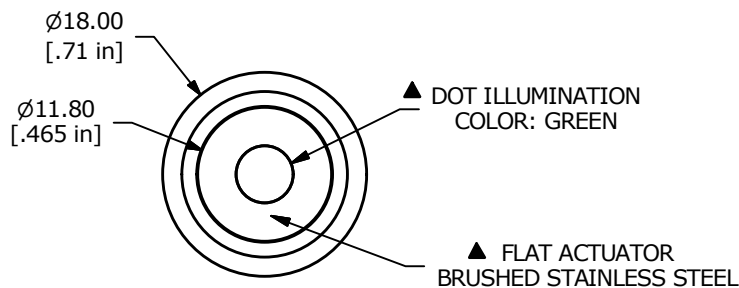
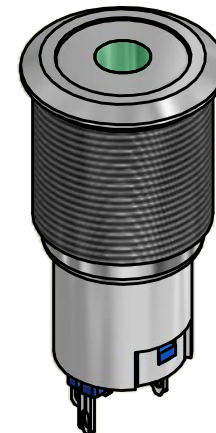


PANEL CUTOUT  
MAX. PANEL THICKNESS  
14.0mm [.55]



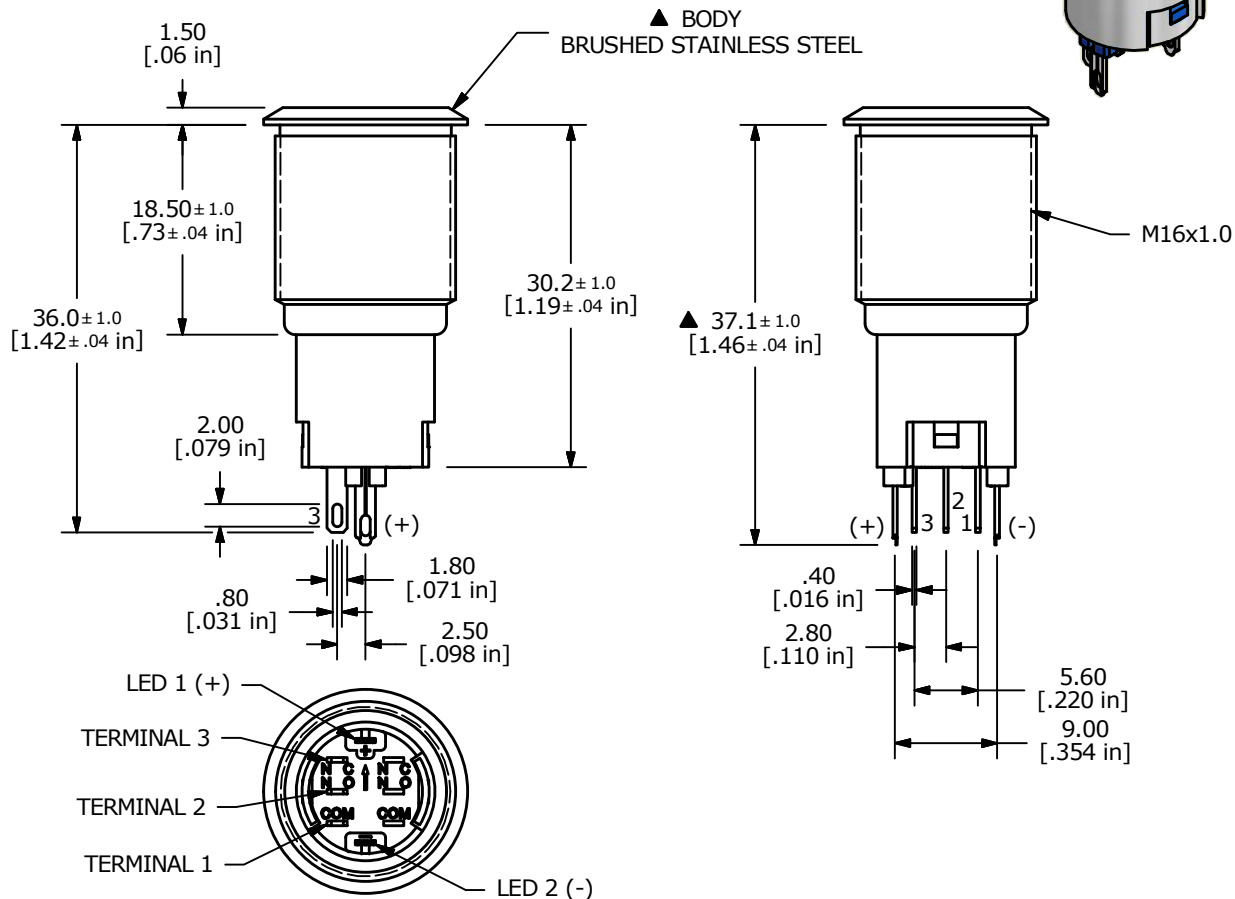
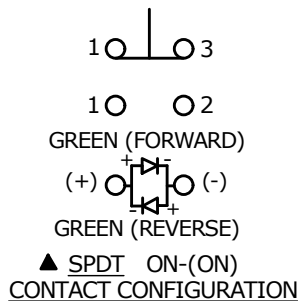
▲ DOT ILLUMINATION  
COLOR: GREEN

▲ FLAT ACTUATOR  
BRUSHED STAINLESS STEEL



SWITCH FUNCTION	
POS. 1	POS. 2
ON	(ON)
1-3	1-2

(ON) = MOMENTARY



- NOTE:
- ALL DIMENSIONS IN MM [INCH]
  - GENERAL TOLERANCE: X.X = ±0.4  
X.XX = ±0.25
  - TERMINAL NUMBERS FOR REF ONLY
  - CONTACT MATERIAL: SILVER
  - RATING: 2A 48VDC
  - ELECTRIC LIFE: 50,000 MAKE-AND-BREAK CYCLES AT FULL LOAD.
  - INSULATION RESISTANCE: 1,000 MΩ MIN.
  - DIELECTRIC STRENGTH: 2,000 VAC MIN. FOR 1 MINUTE
  - CONTACT RESISTANCE: 50mΩ MAX. @ 1A 12VDC
  - OPERATING TEMP.: -20°C to 55°C
  - ▲ DENOTES CRITICAL PARAMETER.
  - HARDWARE SUPPLIED: O-RING AND HEXNUT
  - INGRESS RATING: IP40
  - 2002/95/EC (ROHS) COMPLIANT
  - LAMP VOLTAGE: 24V



B	22023	UPDATE TO NEW TERMINAL HOUSING	12/18/15	MW
A	20726	NEW RELEASE	8/28/12	rc
REV	PCR NO	DESCRIPTION	DATE	BY

TITLE PV3F2B0BB-235				
SCALE 1.5:1	DATE 8/28/2012	DR MW	DWG 52-PV3F2B0BB235	REV B

THE INFORMATION CONTAINED IN THIS DOCUMENT IS PROPRIETARY TO E-SWITCH AND IS NOT TO BE COPIED OR TRANSFERRED