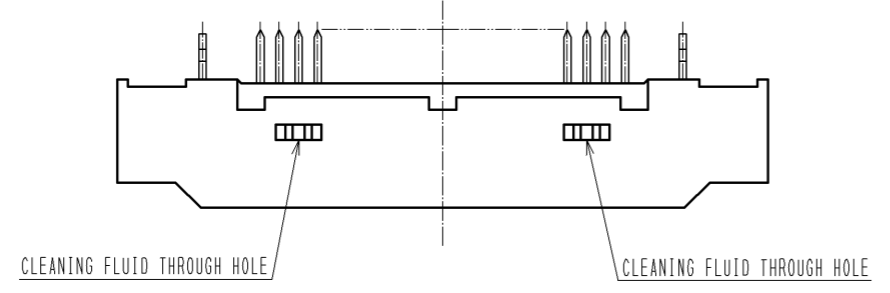
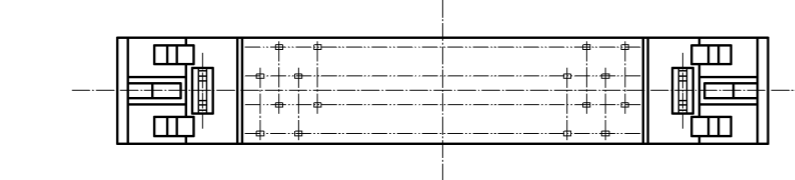
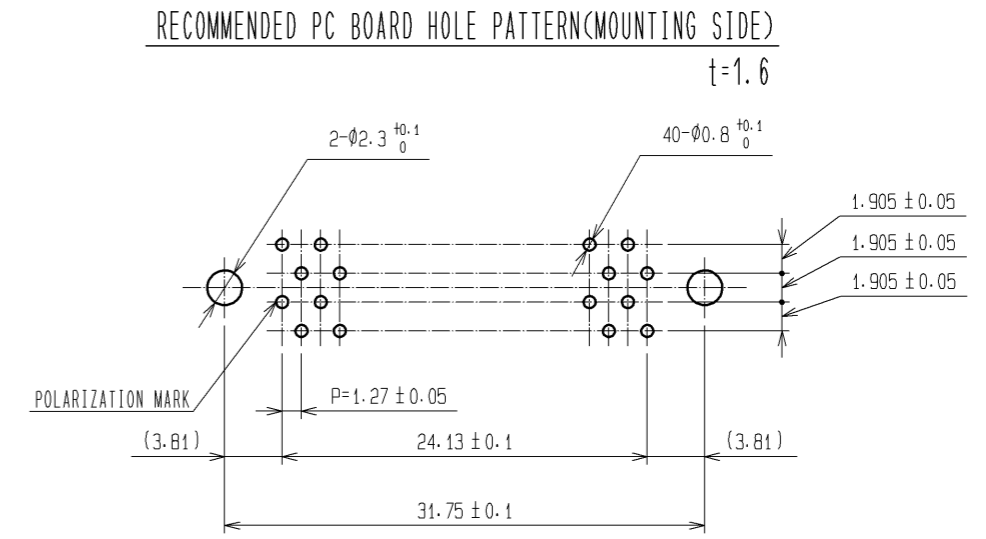
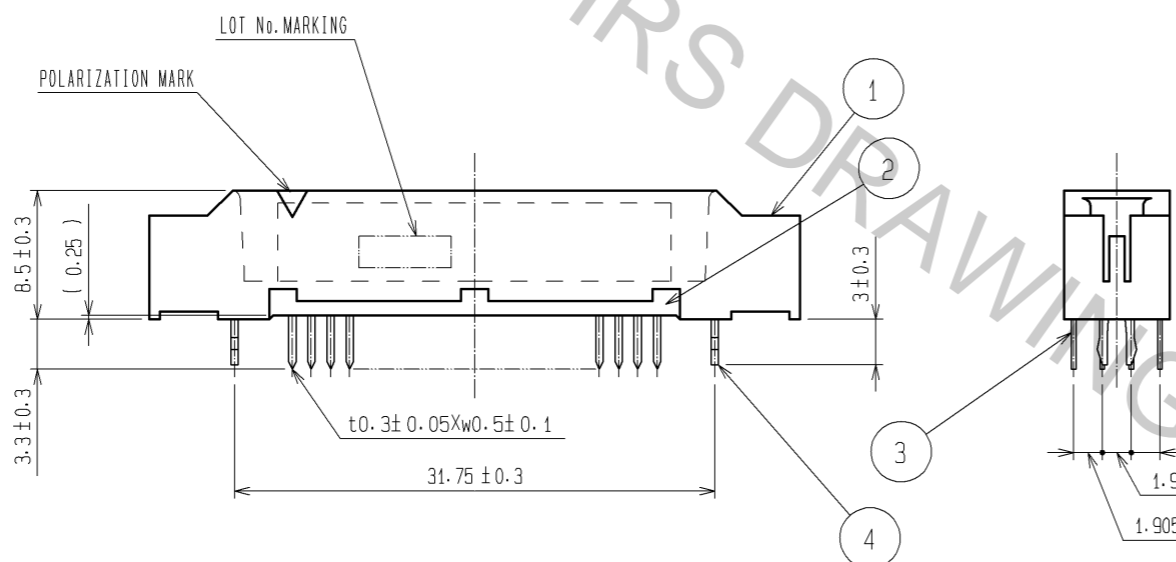
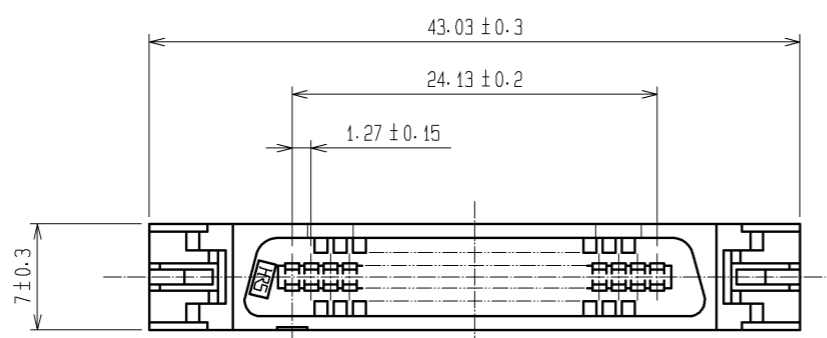


Apr.1.2017 Copyright 2017 HIROSE ELECTRIC CO., LTD. All Rights Reserved.



NOTE 1 THE DIMENSIONS IN PARENTHESES ARE FOR REFERENCE.

4	PHOSPHOR BRONZE	TIN-PLATING		3	PHOSPHOR BRONZE	CONTACT AREA:GOLD 0.2 μm min. DIP AREA:TIN-PLATING 2μm min. UNDER PLATING:NICKEL 2μm min.		
1, 2	POLYAMIDE	BLACK UL94V-0						
NO.	MATERIAL	FINISH .	REMARKS	NO.	MATERIAL	FINISH .	REMARKS	
UNITS	mm	SCALE	2 : 1	COUNT	DESCRIPTION OF REVISIONS	DESIGNED	CHECKED	DATE
HRS HIROSE ELECTRIC CO., LTD.		APPROVED :	HS. OKAWA	11.05.31	DRAWING NO.	EDC3-082274-21		
		CHECED :	HT. YAMAGUCHI	11.05.31	PART NO.	FX2BA-40P-1.27DSAL(71)		
		DESIGNED :	SY. KAMIGA	11.05.31	CODE NO.	CL572-0953-2-71		
		DRAWN :	HK. SUNADORI	11.05.30		1/1		