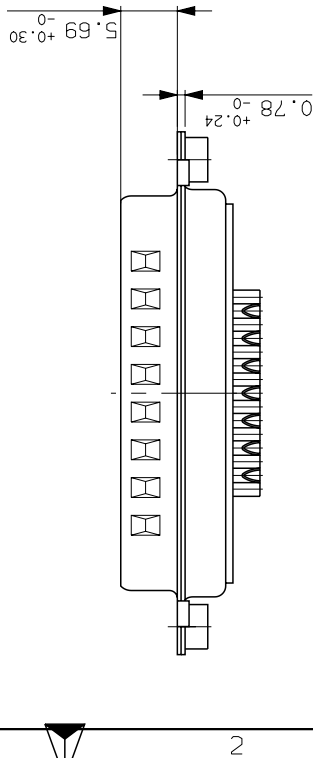
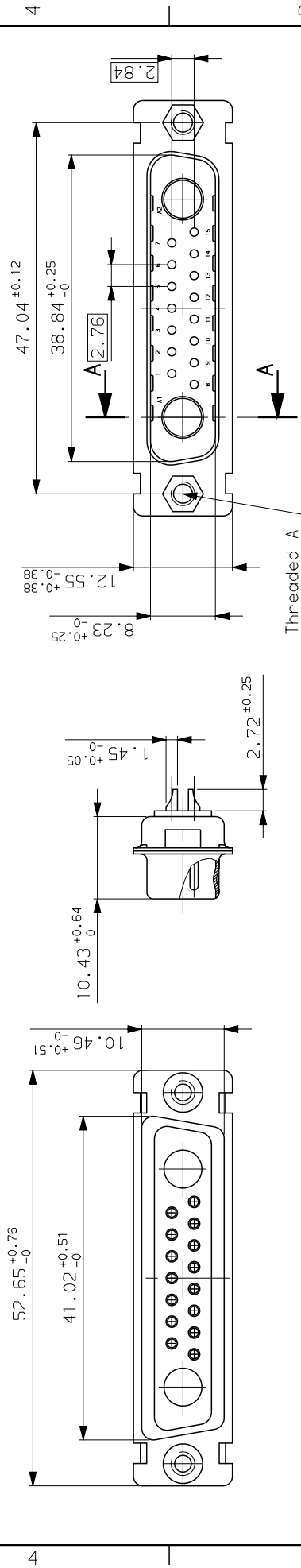


GENERAL CHARACTERISTICS : SEE DRAWING C01-8639-0000



DBL17W2PA00	M3
DB017W2PA00	UNC 4.40
PART NUMBER	Threaded A

b	01/10/03	update	--
ISS DATE	Latest modification by : DEBRAY.T		MOD N°
Designed by: JARRY date:24/01/01 Type of drawing: CLIENT			
TITLE : PIN CONNECTOR FOR POWERS CONTACTS			
SCALE: 2	SHEET 1/1		
 FRAMATOME TRIP	FRAMATOME CONNECTORS FRANCE Rue Louis Breguet - Bp 05 72024 LE MANS Cedex Tel. 33 (16) 43.84.08.43		This document is the property of FRAMATOME CONNECTORS FRANCE It must not be reproduced or communicated without permission in writing from the owners
	SOURIAU DRG N°		
FORMAT A3	C01-8639-1833		PROJECT M94D001

