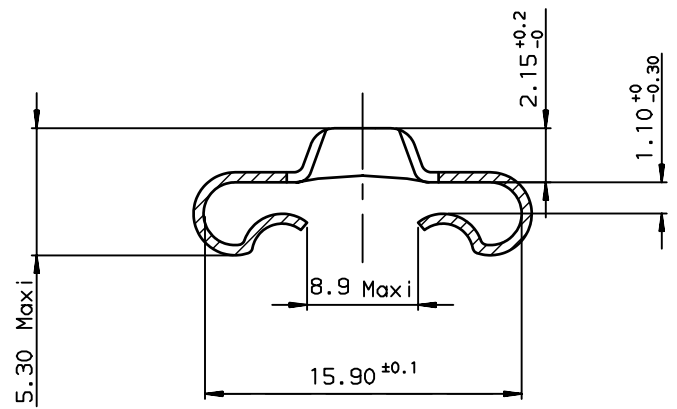
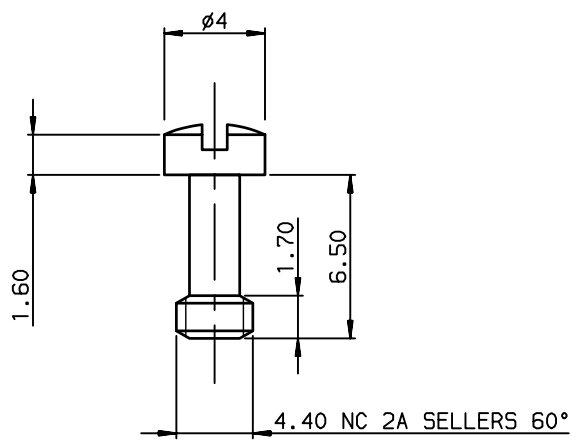


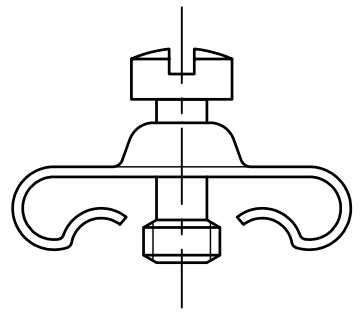
1 2 3 4

A  
B  
C  
D



**NOTES**  
 Pieces assembly  
 Packaging : per 100 piece  
 Material : steel  
 Thread : UNC 4.40

VUE ASSEMBLY



Part number **863003ALF**

**NOTE1:RoHS INFORMATIONS**

- The "LF" product meets European union Directives and other country regulations as described in GS-22-008.
- The product is not intended to be exposed to a manufacturing solder process.
- Plating: Zinc Cr3+, white color.
- Packaging spec: see GS-14-920.

European Views

www.fciconnect.com				surface ISO 1302 ✓	tolerance std ISO 406 ISO 1101	projection ⊕	mm
TOLERANCES UNLESS OTHERWISE SPECIFIED							
Dr	GOISNARD	2006/01/12	ANGULAR	0.X	±0.1	size A3	Scale 5
Eng	PESSON	2006/01/12	LINEAR	0.XX	±0.1	ECN	LS06-0095
Chr	LEGARE	2006/01/12	0.XX' ±2'	0.XXX	±0.1	Product family	D-SUB Spec ref -
Appr	LEGARE	2006/01/12	Product family		D-SUB	Spec ref -	
rev	ecn no	dr	date	Title		dwg no	Rev.
A	LS05-0123	L60	2006/01/12	ETRIER DE FIXATION POUR BOITIER		C01-8655-1646	B
B	LS06-0095	L60	2006/06/24	50 pts femelle (S)		CUSTOMER	sheet 1 of 1
-	-	-	-	catalog no	-		

1 2 3 4