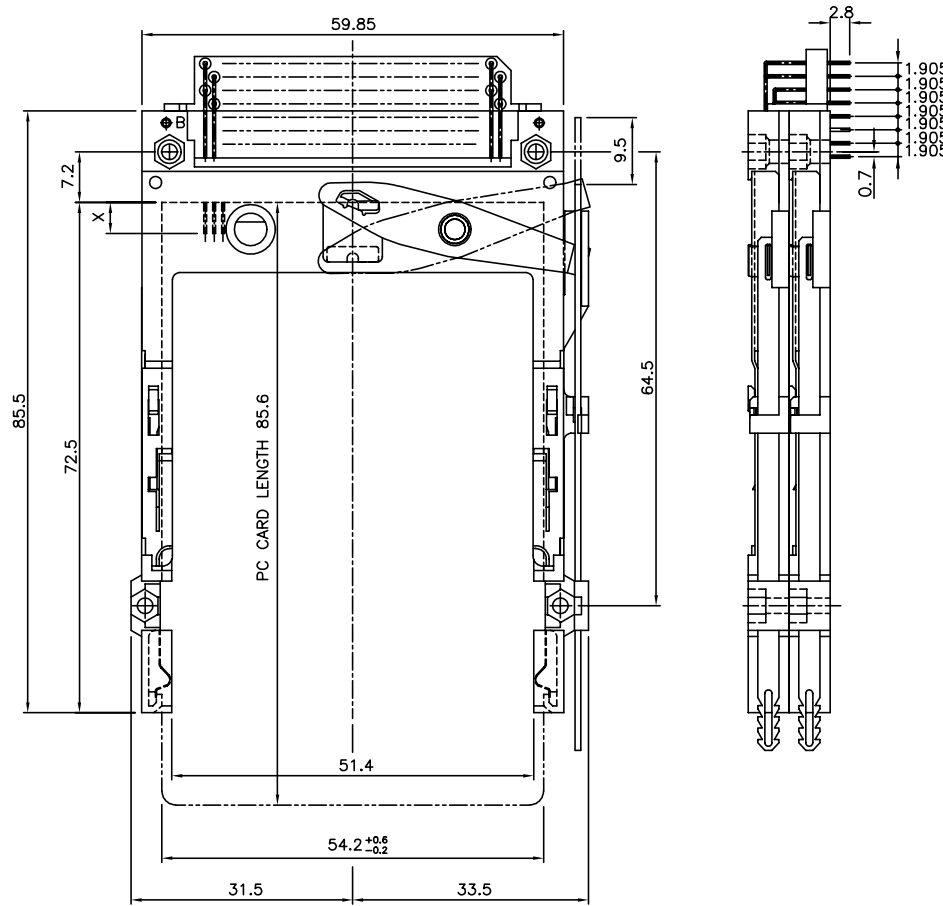


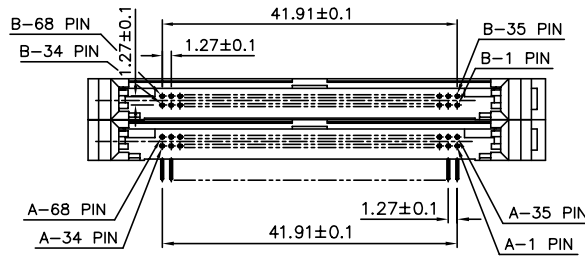
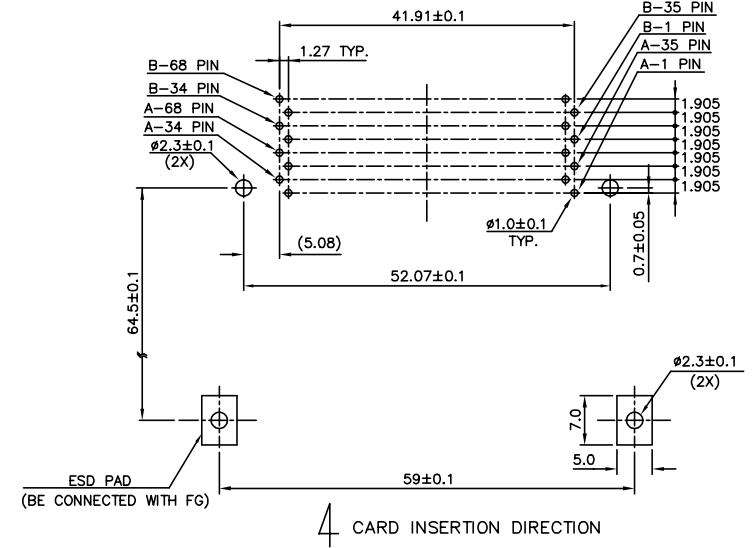
PRODUCT NO.	57455-800CA
	57455-800CALF



- NOTES:
- EJECT FORCE : 3.5 Kg MAX.
 - EJECT TRAVEL: 8.0mm
 - MATERIAL
 - 3.1 HEADER ASS'Y :
 PLASTIC : HOUSING ...HIGH TEMPERATURE THERMOPLASTIC UL94V-0 BLACK
 : LOCATOR ...HIGH TEMPERATURE THERMOPLASTIC UL94V-0 BLACK
 PIN : COPPER ALLOY
 - 3.2 EJECT MECHANISM ASS'Y :
 PLASTIC : GUIDE: HIGH TEMPERATURE THERMOPLASTIC UL94V-0 BLACK
 : PUSH ROD: HIGH TEMPERATURE THERMOPLASTIC UL94V-0 BLACK
 PLATE : STAINLESS
 EMI CONTACT: PHOSPHOR BRONZE
 4. FINISH (PIN)
 UNDER PLATING : 1.25 μ m MIN. Ni
 CONTACT AREA : 0.076 μ m MIN. GOLD
 SOLDER TAIL : 2.5 μ m MIN. Sn-Pb
 : 2.5 μ m MIN. PURE Sn (FOR -*****LF)

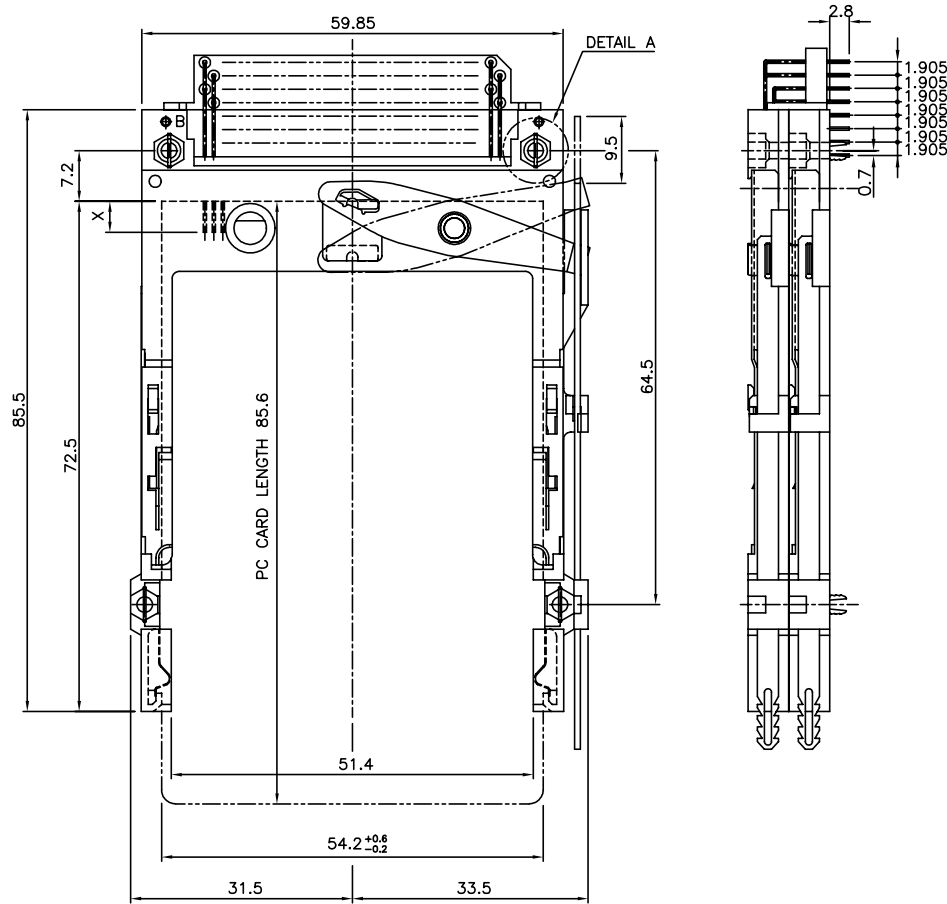
DIM "X"	4.25 \pm 0.1	3.5 \pm 0.1	5.0 \pm 0.1
	OTHERS	36,67	1,17,34,35,51,68

- IF LEAD FREE P/N THE HOUSING WILL WITHSTAND EXPOSURE TO 260°C PEAK TEMPERATURE FOR 10 SECONDS IN A WAVE SOLDER APPLICATION WITH A 1.00MM MINIMUM THICK CIRCUIT BOARD.
- IF LEAD FREE P/N THE PRODUCT MEETS EUROPEAN UNION DIRECTIVES AND OTHER COUNTRY REGULATIONS AS DESCRIBED IN GS-22-008
- LEAD FREE P/N PACKAGING MEETS GS-14-920 SPECIFICATION
- PRODUCT SPEC: 110-263



mat'l. code	surface ISO1302	tolerance ISO1101 ISO406	projection	product family PCMCIA
l'tecn nodr	date	tolerances unless otherwise specified	MM	R/A EJECTOR HDR ASS'Y TYPE 1/2/3
A T10220 WL 08/15/01	angle	±0.30	scale	dwg no 57455 sheet 1 of 2 size A4
B T20214 WL 07/01/02	0°±2'			type Product Customer Drawing
C N05-0155 WB 06/10/05				
D BX-N-011383 ZK 04/02/12	dr WENDY CHEN 05/30/01	eng MINERVA WANG 05/30/01		
	chr MINERVA WANG 05/30/01	appd JENN TSAO 05/30/01		
sheet index	revision sheet 1	D 2		

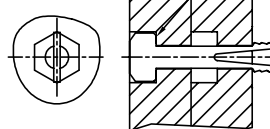
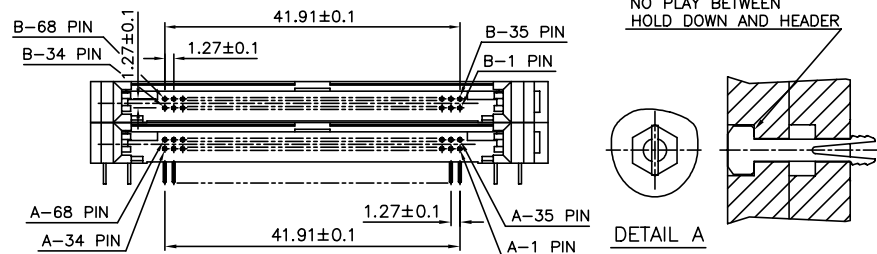
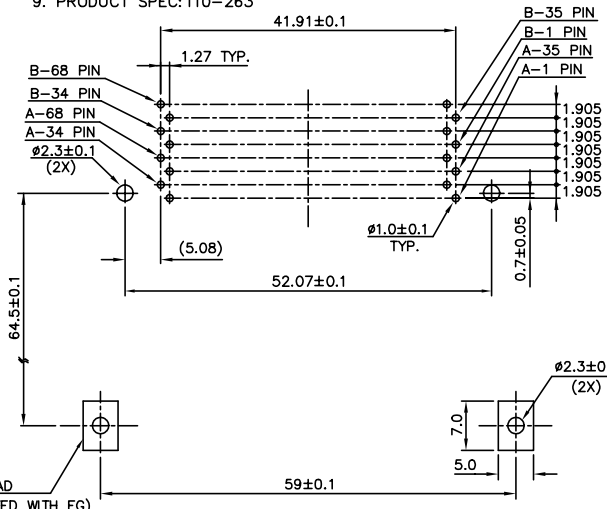
PRODUCT NO.	57455-800CAH
	57455-800CAHLF



NOTES:

- EJECT FORCE : 3.5 Kg MAX.
- EJECT TRAVEL: 8.0mm
- MATERIAL
- 3.1 HEADER ASS'Y :
 PLASTIC : HOUSING ...HIGH TEMPERATURE THERMOPLASTIC UL94V-0 BLACK
 LOCATOR ...HIGH TEMPERATURE THERMOPLASTIC UL94V-0 BLACK
 PIN : COPPER ALLOY
- 3.2 EJECT MECHANISM ASS'Y :
 PLASTIC : GUIDE: HIGH TEMPERATURE THERMOPLASTIC UL94V-0 BLACK
 PUSH ROD: HIGH TEMPERATURE THERMOPLASTIC UL94V-0 BLACK
 PLATE : STAINLESS
 EMI CONTACT: PHOSPHOR BRONZE
- FINISH (PIN)
 UNDER PLATING : 1.25 um MIN. Ni
 CONTACT AREA : 0.076 um MIN. GOLD
 SOLDER TAIL : 2.5 um MIN. Sn-Pb
 : 2.5 um MIN. PURE Sn (FOR -*****LF)

5. DIM "X"	4.25±0.1	3.5±0.1	5.0±0.1
OTHERS	36,67	1,17,34,35,51,68	



4 CARD INSERTION DIRECTION

mat'l. code	surface ISO1302	tolerance ISO1101 ISO406	projection	product family PCMCIA
ltr ecn nodr date	tolerances unless otherwise specified		MM	R/A EJECTOR HDR ASS'Y TYPE 1/2/3
D	angle 0°±2'	±0.30	scale	dwg no 57455
	dr WENDY CHEN 05/30/01	eng MINERVA WANG 05/30/01		sheet 2 of 2 size A4
	chr MINERVA WANG 05/30/01	appd JENN TSAO 05/30/01		type Product Customer Drawing
sheet index	revision sheet			