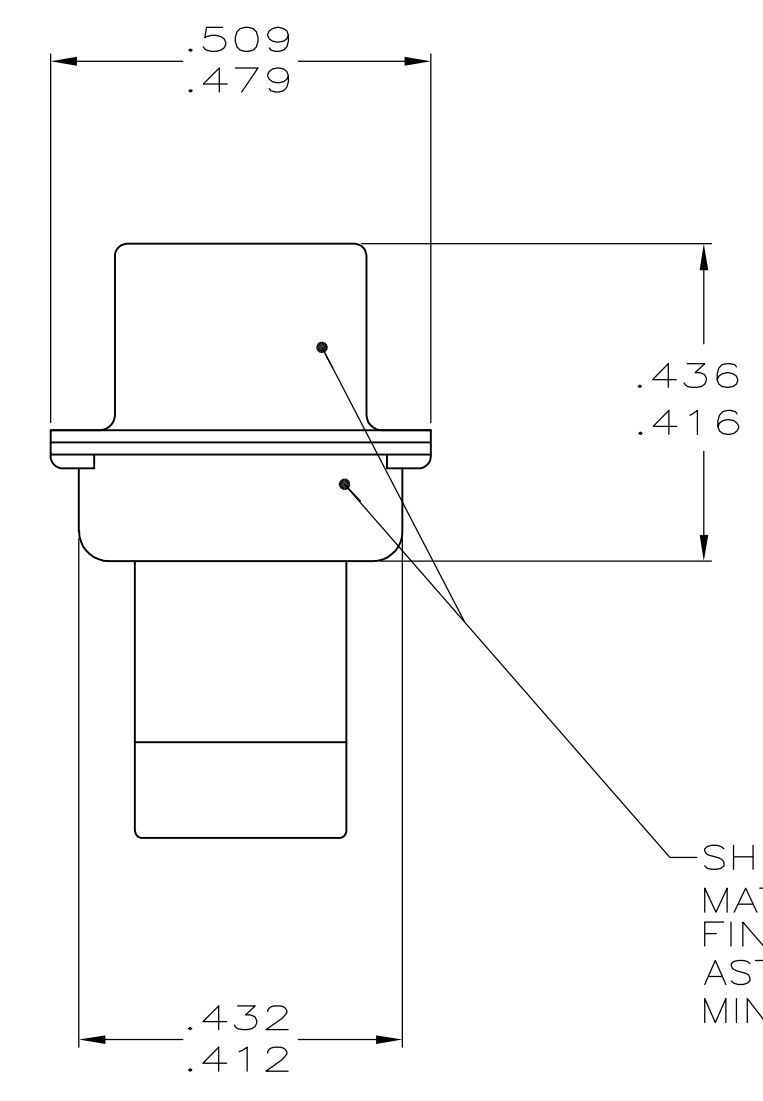
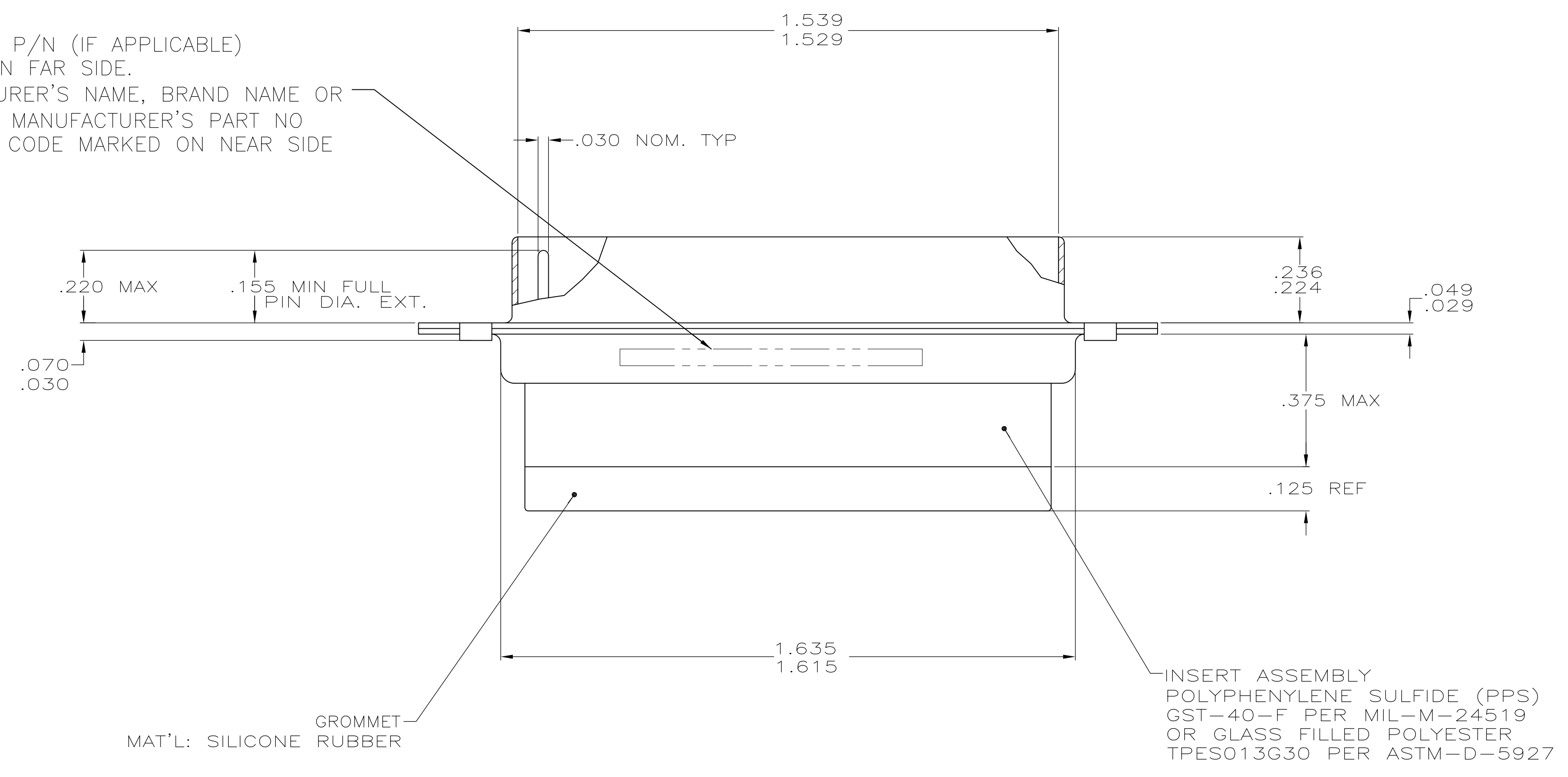


- THIS PLUG WILL MATE WITH ANY SIZE 3, 44 POSN. RCPT. IN AMPLIMITE SERIES.
  - OVERALL DIMENSIONS DO NOT INCLUDE RAISED CAVITY IDENTIFICATION.
  - BE-CU RETENTION CLIPS ARE INCLUDED AND INSTALLED WITH TINES POINTING TOWARDS MATING FACE.
  - CONNECTOR SUPPLIED WITHOUT CONTACTS; SHOWN FOR ILLUSTRATION ONLY.
  - MARKING FAR SIDE REFERS TO WIDE SIDE OF KEYSTONE. NEAR SIDE REFERS TO NARROW SIDE OF KEYSTONE.
- ⚠ 100% INSPECTION REQUIRED PER BOEING 1B01:  
A. VISUAL  
B. DWV  
C. IR
  - ⚠ CUSTOMER REQUIRES SINGLE LOT DATE CODE.
  - ⚠ SPECIAL REQUIREMENTS:  
A. TEST TWO CONNECTORS PER LOT FOR COMPLIANCE TO GROMMET PEEL STRENGTH REQUIREMENTS.  
B. TEST ALL CIRCUIT CAVITIES FOR MISALIGNMENT OR EXCESSIVE ADHESIVE.

CUSTOMER P/N (IF APPLICABLE) MARKED ON FAR SIDE.  
 MANUFACTURER'S NAME, BRAND NAME OR LOGO AND MANUFACTURER'S PART NO AND DATE CODE MARKED ON NEAR SIDE



SHELL, FRONT & REAR  
 MAT'L: BRASS PER ASTM B-19  
 FINISH: GOLD PLATED PER ASTM-B-488 OVER .000100 MIN COPPER PER AMS 2418

|         |                   |            |
|---------|-------------------|------------|
| ⚠ - ⚠   | 1B01-033PHW       | 1-211675-1 |
| -       | -                 | 211675-4   |
| ⚠ - ⚠   | 2A065-015V        | 211675-2   |
| ⚠       | 1B01-033          | 211675-1   |
| REMARKS | CUSTOMER PART NO. | PART NO.   |

|  |  |                       |  |
|--|--|-----------------------|--|
| THIS DRAWING IS A CONTROLLED DOCUMENT. |  | DWN J. KAISER 3-11-04 | Tyco Electronics Corporation<br>Harrisburg, PA 17105-3608                                  |
| DIMENSIONS: INCHES                     |  | CHK 3-25-04           |  |
| TOLERANCES UNLESS OTHERWISE SPECIFIED: |  | APPRO L. OH 3-25-04   | NAME PLUG ASSY, AMPLIMITE, 44 POSN., SIZE 3, SERIES 90, NON-MAGNETIC, SPECIAL WITH GROMMET |
| 0 PLC ± -                              |  | PRODUCT SPEC          |  |
| 1 PLC ± -                              |  | APPLICATION SPEC      | SIZE CAGE CODE DRAWING NO  |
| 2 PLC ± -                              |  | RESTRICTED TO         | A1 00779 ©=211675  |
| 3 PLC ± .005 [0.13]                    |  | SCALE 4:1             | SHEET 1 OF 1   |
| 4 PLC ± -                              |  | REV J                 |  |
| FINISH SEE CALLOUTS                    |  |                       |  |