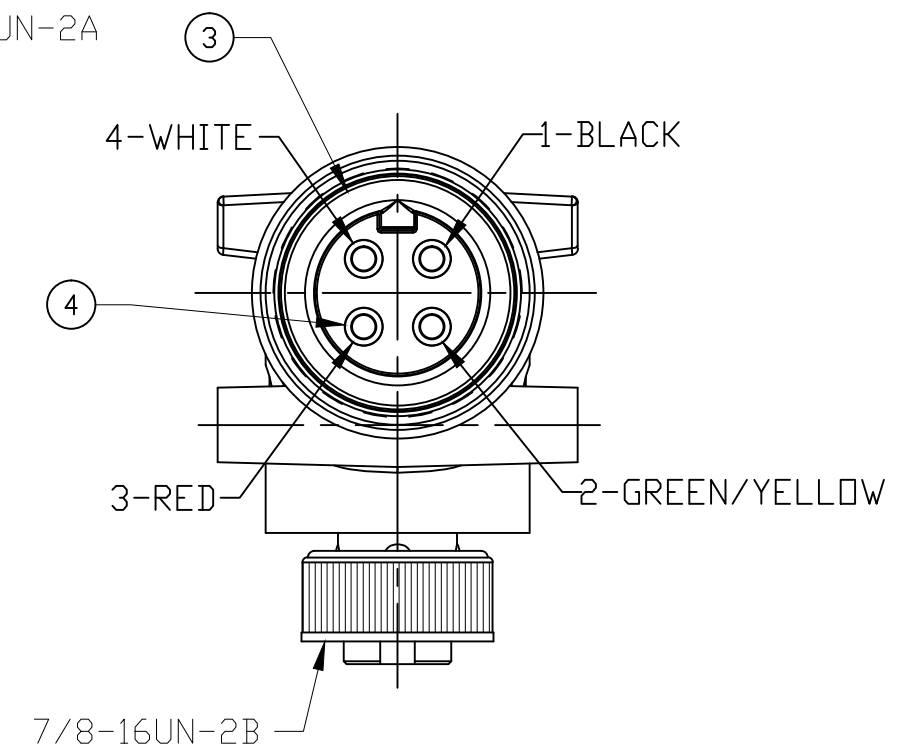
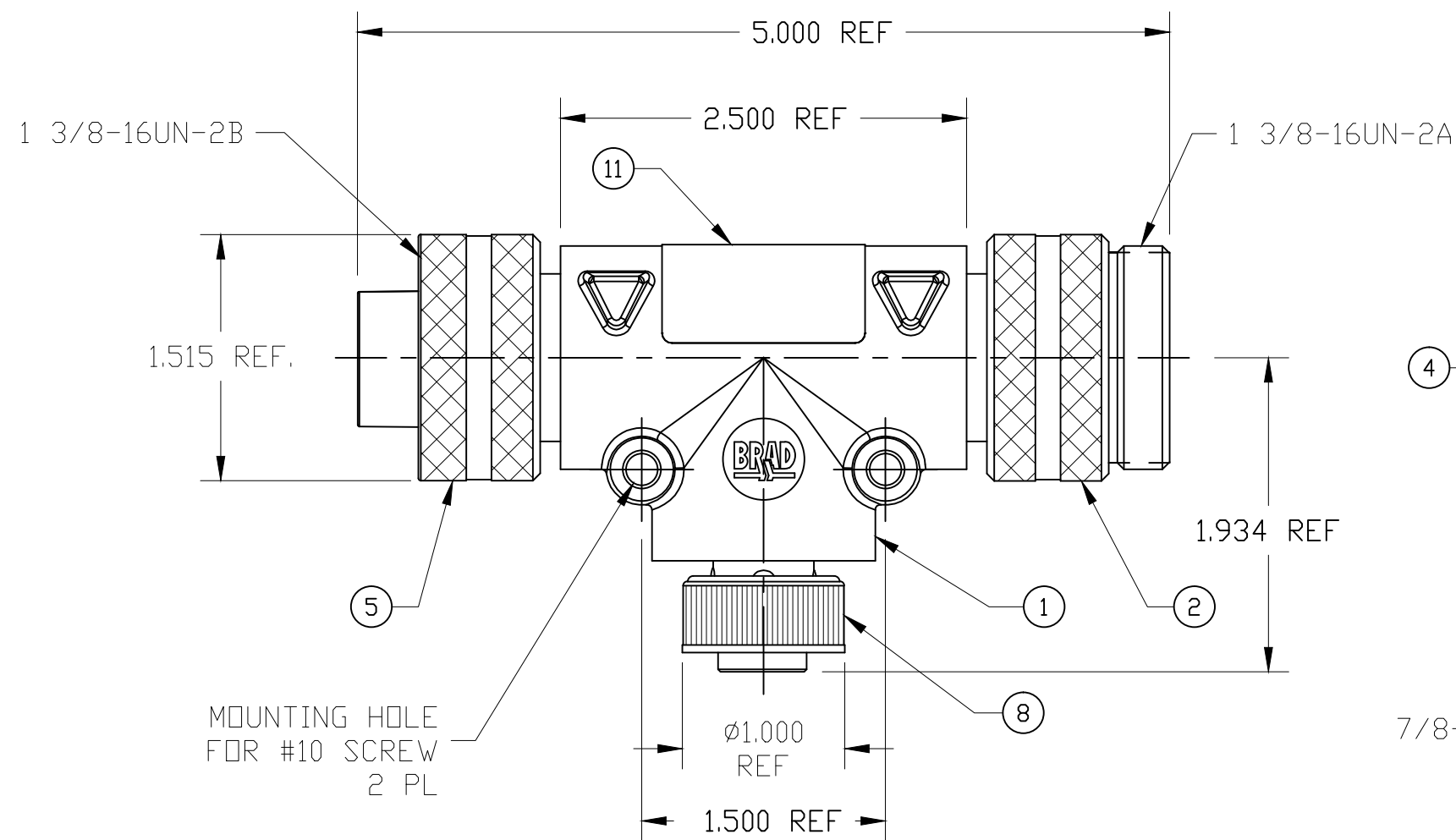
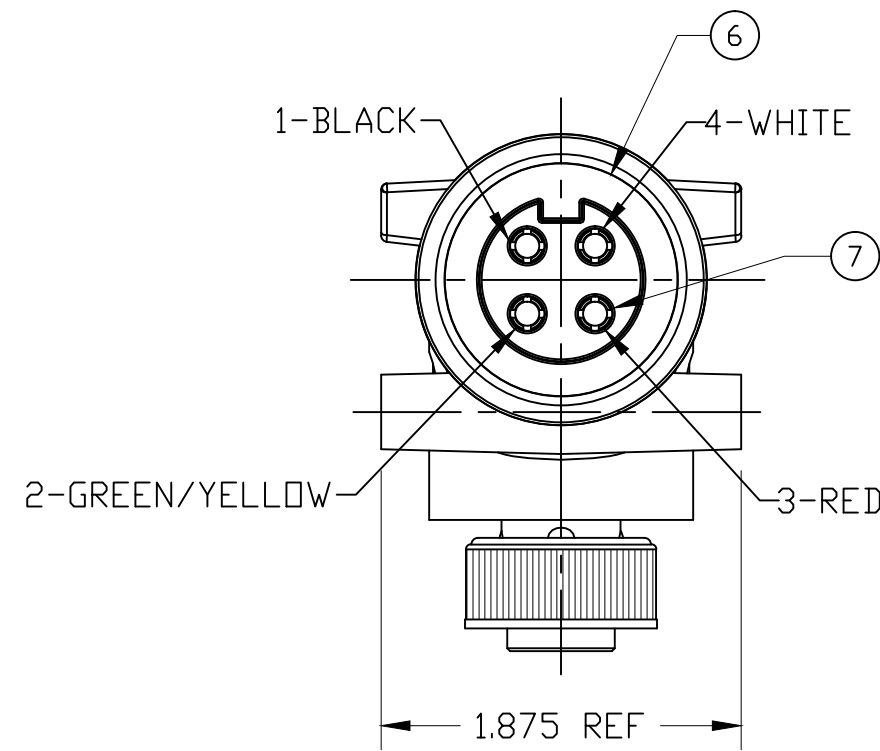
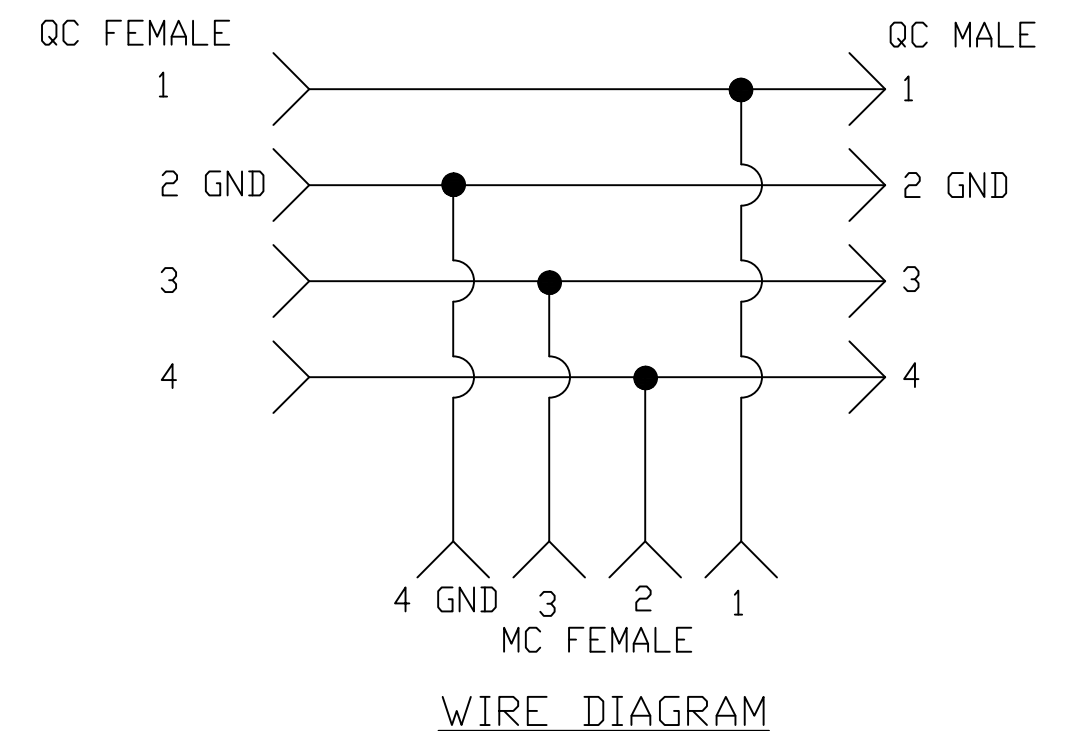
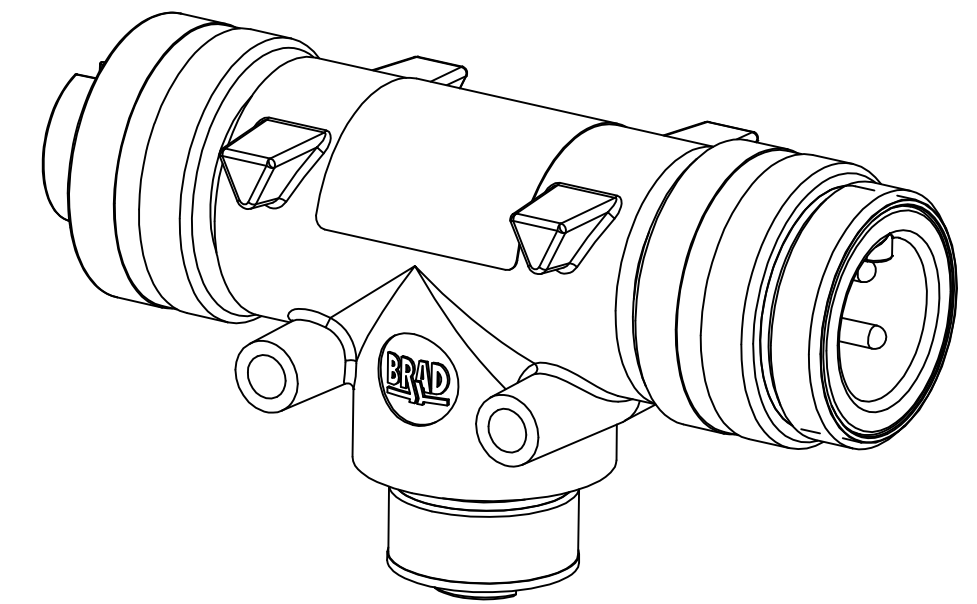
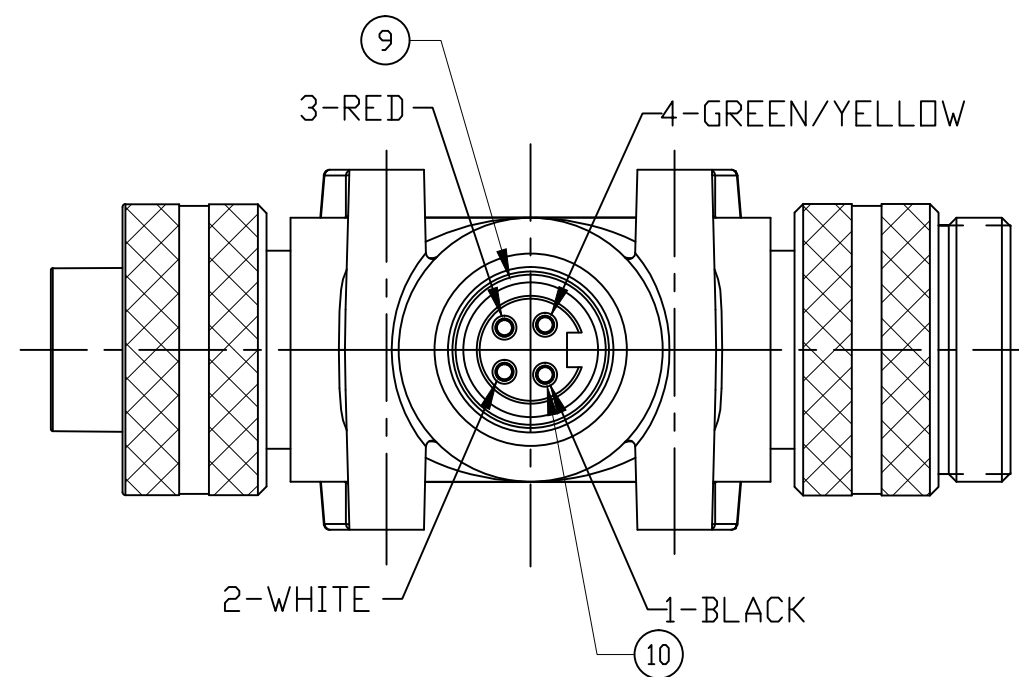


| PART NUMBER | ENGINEERING NUMBER |
|-------------|--------------------|
| 1300680069  | TC40140-200        |



- NOTES:**
- MATERIAL: AS NOTED
  - FINISH: AS NOTED
  - ELECTRICAL:  
 VOLTAGE: 480V PER IEC60664  
 600V PER UL2237  
 MAX THRU CURRENT: 32A  
 MAX DROP CURRENT: 15A
  - TEMP RATING: -20° TO +90°C
  - PROTECTION: IP67 (WHEN MATED)
  - CERTIFICATION:  
 UL LISTED/CSA CERTIFIED FILE NO: E258922



| ITEM | DESCRIPTION            | MATERIAL     | FINISH        |
|------|------------------------|--------------|---------------|
| 11   | LABEL                  | POLYESTER    | BLACK/DRANGE  |
| 10   | MC SOCKET CONTACT      | COPPER ALLOY | GOLD PLATED   |
| 9    | MC FEMALE INSERT       | PVC          | BLACK         |
| 8    | MC COUPLING NUT        | ZINC ALLOY   | BLACK E-COAT  |
| 7    | QC SOCKET CONTACT      | COPPER ALLOY | GOLD PLATED   |
| 6    | QC FEMALE INSERT       | PVC          | BLACK         |
| 5    | QC FEMALE COUPLING NUT | ALUMINUM     | CLEAR ANODIZE |
| 4    | QC PIN CONTACT         | COPPER ALLOY | GOLD PLATED   |
| 3    | QC MALE INSERT         | PVC          | BLACK         |
| 2    | QC MALE COUPLING NUT   | ALUMINUM     | CLEAR ANODIZE |
| 1    | OVERMOLD               | PVC          | GRAY          |
| ITEM | DESCRIPTION            | MATERIAL     | FINISH        |

|  |                               |   |  |   |  |   |              |                        |  |  |
|--|-------------------------------|---|--|---|--|---|--------------|------------------------|--|--|
| REV D NOTE 3<br>EC NO: IPG2017-0829<br>DRWN: RSTONE 3/2/17<br>CH'KD: K COX 2017/03/10<br>APPR: BWOODMAN 2010/01/15 | QUALITY SYMBOL<br>▽=0<br>▽C=0 | GENERAL TOLERANCES (UNLESS SPECIFIED)                   |  | DIMENSION STYLE<br>INCH                 |  | SCALE   | DESIGN UNITS | THIRD ANGLE PROJECTION |  |  |
|  |                               |   |  |   |  | ---   | INCH         |                        |  |  |
|  |                               |   |  |   |  | DRAWN BY DATE<br>KJOZWIK 2010/01/14   |              |                        | TITLE<br>BRAD POWER<br>QC 4 POLE TEE<br>W/4 POLE MC DROP |  |
|  |                               |   |  |   |  | CHECKED BY DATE<br>BWOODMAN 2010/01/14  |              |                        | MOLEX INCORPORATED                                       |  |
|  |                               |   |  | APPROVED BY DATE<br>JFMURPHY 2010/01/15 |  | MOLEX INCORPORATED  |              |                        |  |  |
|  |                               | DRAFT WHERE APPLICABLE<br>MUST REMAIN WITHIN DIMENSIONS |  | MATERIAL NO.<br>SEE TABLE               |  | DOCUMENT NO.<br>SD-130068-009   |              | SHEET NO.<br>1 OF 1    |  |  |
|  |                               |   |  | SIZE<br>C                               |  | THIS DRAWING CONTAINS INFORMATION THAT IS PROPRIETARY TO MOLEX INCORPORATED AND SHOULD NOT BE USED WITHOUT WRITTEN PERMISSION |              |                        |  |  |