

THE INFORMATION CONTAINED HEREIN IS CONSIDERED "PROPRIETARY" TO BEL FUSE INC. AND SHALL NOT BE COPIED, REPRODUCED OR DISCLOSED WITHOUT THE WRITTEN APPROVAL OF BEL FUSE INC.

LED1 POLARITY			LED2 POLARITY		
PIN 13	PIN 14	COLOR	PIN 15	PIN 16	COLOR
-	+	YELLOW	-	+	GREEN
			+	-	ORANGE

RoHS



ELECTRICAL CHARACTERISTICS @ 25°C

URNS RATIO

TP1	1CT : 1CT ±2%
TP2	1CT : 1CT ±2%
TP3	1CT : 1CT ±2%
TP4	1CT : 1CT ±2%

OCL @ 100kHz/100mVRMS

8mA DC BIAS 350µH MIN.

INS. LOSS

0.1MHz TO 1MHz	-1.1 dB MAX
1MHz TO 65MHz	-0.5 dB MAX
65MHz TO 100MHz	-0.8 dB MAX
100MHz TO 125MHz	-1.2 dB MAX

RET. LOSS (MIN)

0.5MHz-40MHz	-18 dB
40MHz-100MHz	-12+20LOG(f/80MHz) dB

CM TO CM REJ

100kHz - 100MHz -30 dB MIN

CM TO DM REJ

100kHz - 100MHz -35 dB MIN

HIPOT (Isolation Voltage):

1500 Vrms or 2250VDC
100% OF PRODUCTION TESTED TO COMPLY WITH IEEE 802.3 ISOLATION REQUIREMENTS.

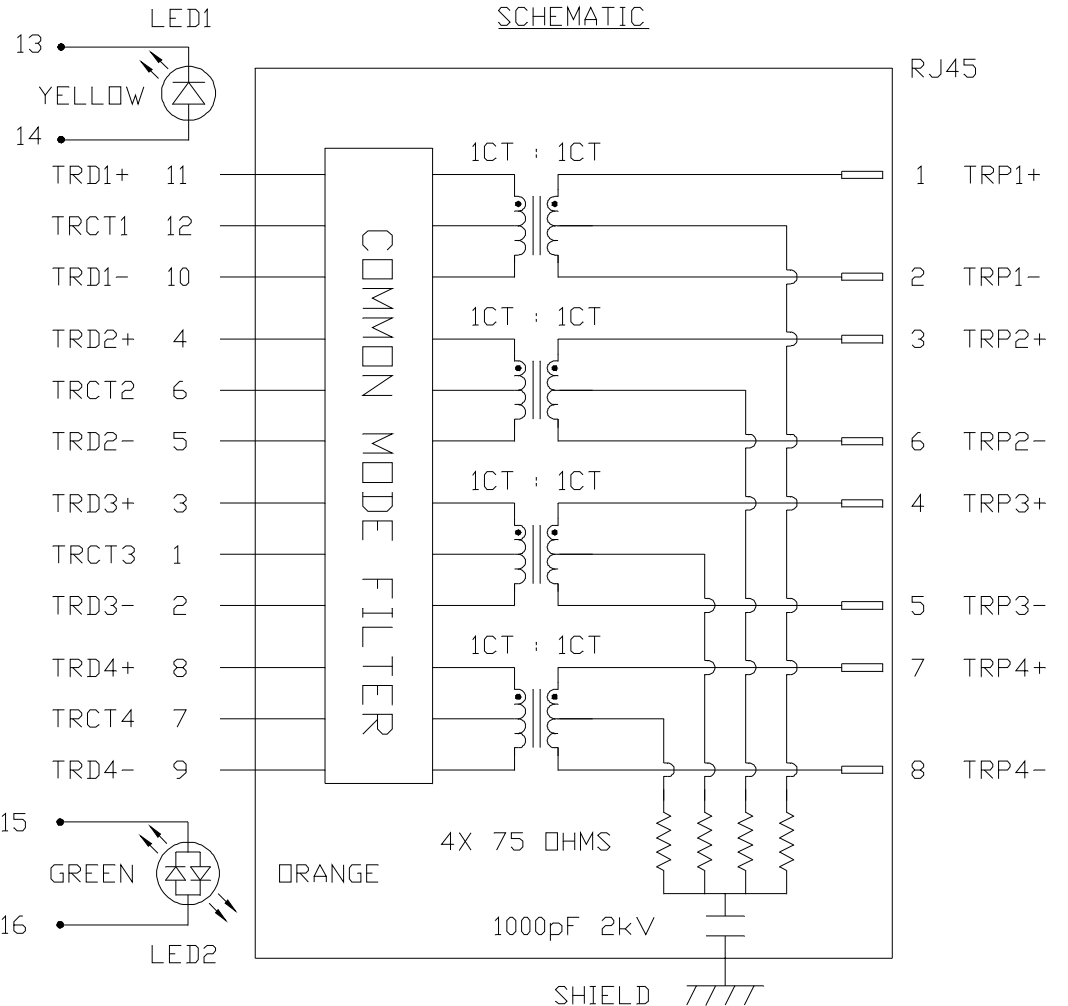
LED 1

VF (FORWARD VOLTAGE) IF=20mA YELLOW 2.1V TYP.
λD (DOMINANT WAVELENGTH) IF=20mA YELLOW 590nm TYP.

LED 2

VF (FORWARD VOLTAGE) IF=20mA GREEN 2.2V TYP.
ORANGE 2.0V TYP.
λD (DOMINANT WAVELENGTH) IF=20mA GREEN 570nm TYP.
ORANGE 605nm TYP.

OPERATING TEMPERATURE: 0°C TO +70°C.



REV. : D PAGE : 2

ORIGINATED BY CHOW WANCHUNG	TITLE gigabit MagJack® (8 cores, Tab Up)	PART NO. / DRAWING NO. 08261X4T43-F	STANDARD DIM. TOL. IN INCH	[] METRIC DIM. AS REF.
DATE 2017-05-25			.X	UNIT : INCH [mm]
DRAWN BY XIE YIMING	0826-1X4T-43-F PATENTED	FILE NAME 08261X4T43-F_D.DWG	.XX	SCALE : N/A
DATE 2017-05-25			.XXX	SIZE : A4



THE INFORMATION CONTAINED HEREIN IS CONSIDERED "PROPRIETARY" TO BEL FUSE INC. AND SHALL NOT BE COPIED, REPRODUCED OR DISCLOSED WITHOUT THE WRITTEN APPROVAL OF BEL FUSE INC.

RoHS

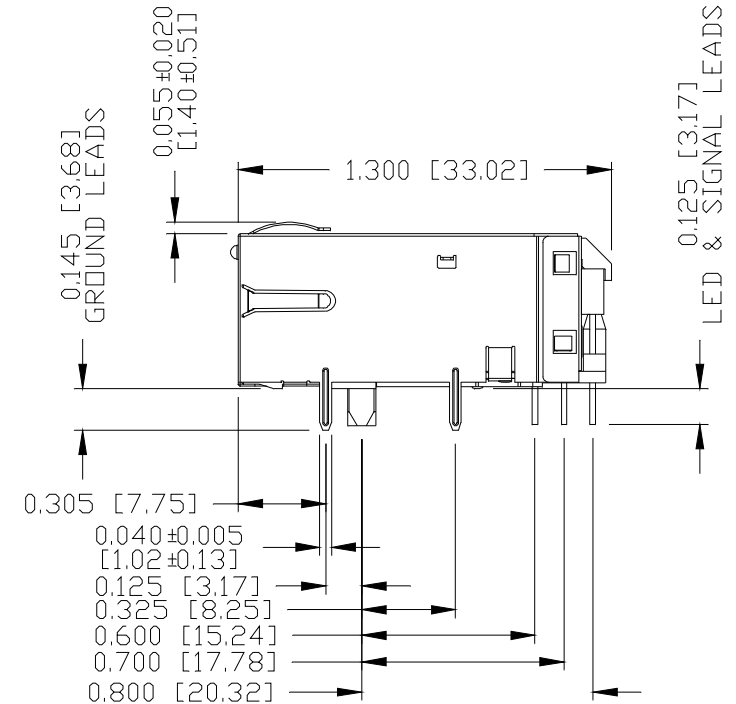
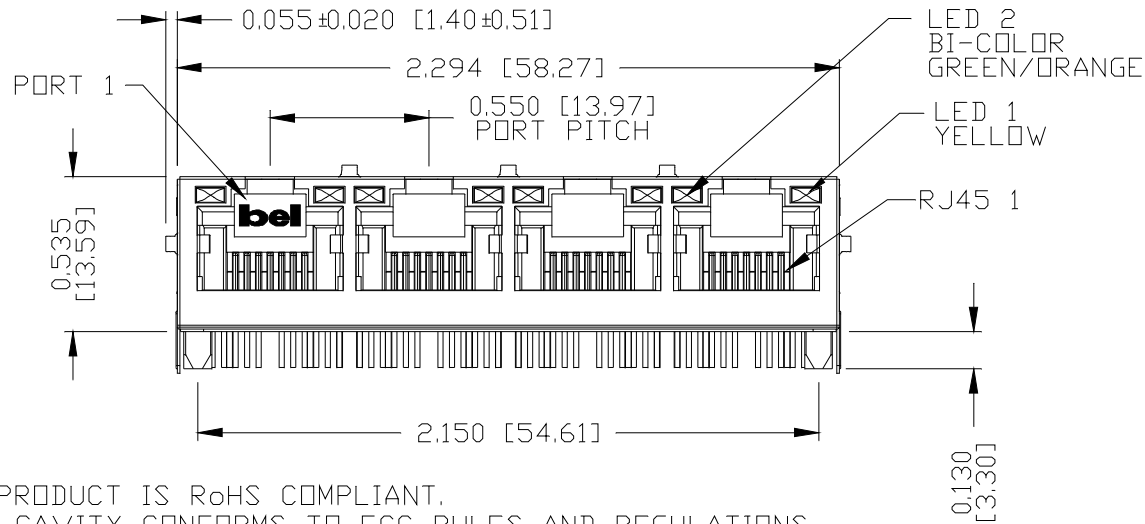
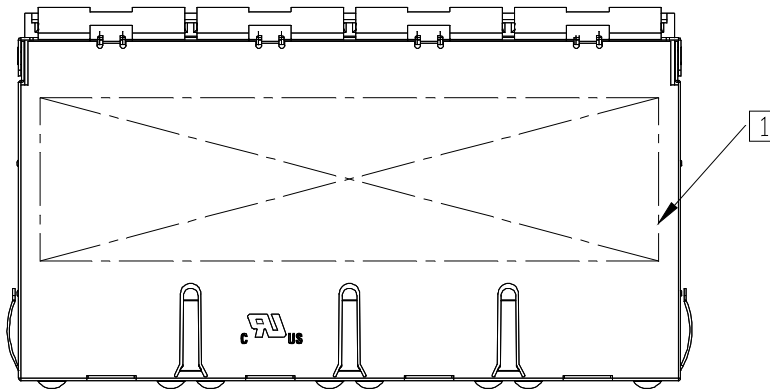


NOTES:

PLASTIC HOUSING: THERMOPLASTIC PBT, BLACK
 FLAMMABILITY RATING UL 94V-0
 CONTACTS PLATING: 50 MICRO-INCH HARD GOLD PLATING OR EQUIVALENT.
 PINS: TIN-COATED COPPER WIRE, DIA 0.018 INCH, 100 MICRO-INCH MIN MATTE TIN, PINS ARE SOLDER DIPPED.
 METAL SHIELD: NICKEL PLATED ON COPPER ALLOY, (ALL GROUND LEADS ARE SOLDER DIPPED)

[1] MARK PART WITH MFG LOGO, MFG NAME, PART NUMBER, DATE CODE AND PATENTED.

UL RECOGNIZED - FILE #E196366 AND E169987.



2. THE PRODUCT IS RoHS COMPLIANT.
3. JACK CAVITY CONFORMS TO FCC RULES AND REGULATIONS, PART 68 SUBPART F.
4. THE PRODUCT IS PATENTED, THE PATENT NUMBER IS U.S. PAT. 7,123,117.
5. THE PART IS RECOMMENDED FOR WAVE SOLDERING. THE SUGGESTED PEAK WAVE SOLDERING CONDITION IS 260°C MAX AND 10 SECONDS MAX.

REV. : D PAGE : 3

ORIGINATED BY
ANTON LIAO
DATE 2017-05-25
DRAWN BY
JESSE LI
DATE 2017-05-25

TITLE
gigabit MagJack®
(8 cores, Tab Up)
0826-1X4T-43-F
PATENTED

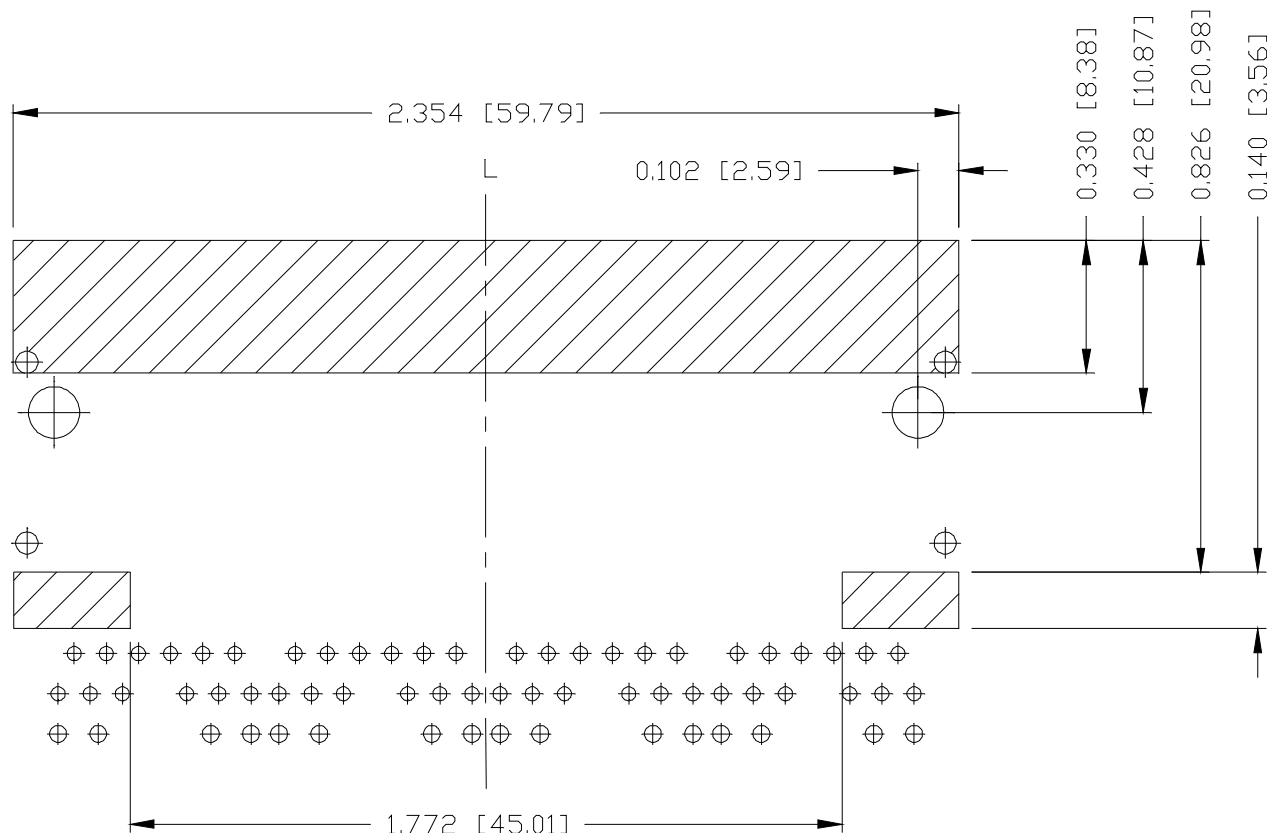
PART NO. / DRAWING NO.
08261X4T43-F
FILE NAME
08261X4T43-F_D.DWG

STANDARD DIM. TOL. IN INCH	[] METRIC DIM. AS REF.
.X	UNIT : INCH [mm]
.XX	SCALE : N/A
.XXX	SIZE : A4



THE INFORMATION CONTAINED HEREIN IS CONSIDERED "PROPRIETARY" TO BEL FUSE INC. AND SHALL NOT BE COPIED, REPRODUCED OR DISCLOSED WITHOUT THE WRITTEN APPROVAL OF BEL FUSE INC.

RoHS



NOTES:

THE SHADED AREA ON THE CUSTOMER BOARD ARE RECOMMENDED TO BE CLEAR OFF ANY VIA HOLE OR COMPONENT PAD.

ORIGINATED BY
ANTON LIAO
DATE 2017-05-25

DRAWN BY
JESSE LI
DATE 2017-05-25

TITLE
gigabit MagJack®
(8 cores, Tab Up)
0826-1X4T-43-F
PATENTED

PART NO. / DRAWING NO.
08261X4T43-F

FILE NAME
08261X4T43-F_D.DWG

STANDARD DIM. [] METRIC DIM.
TOL. IN INCH AS REF.

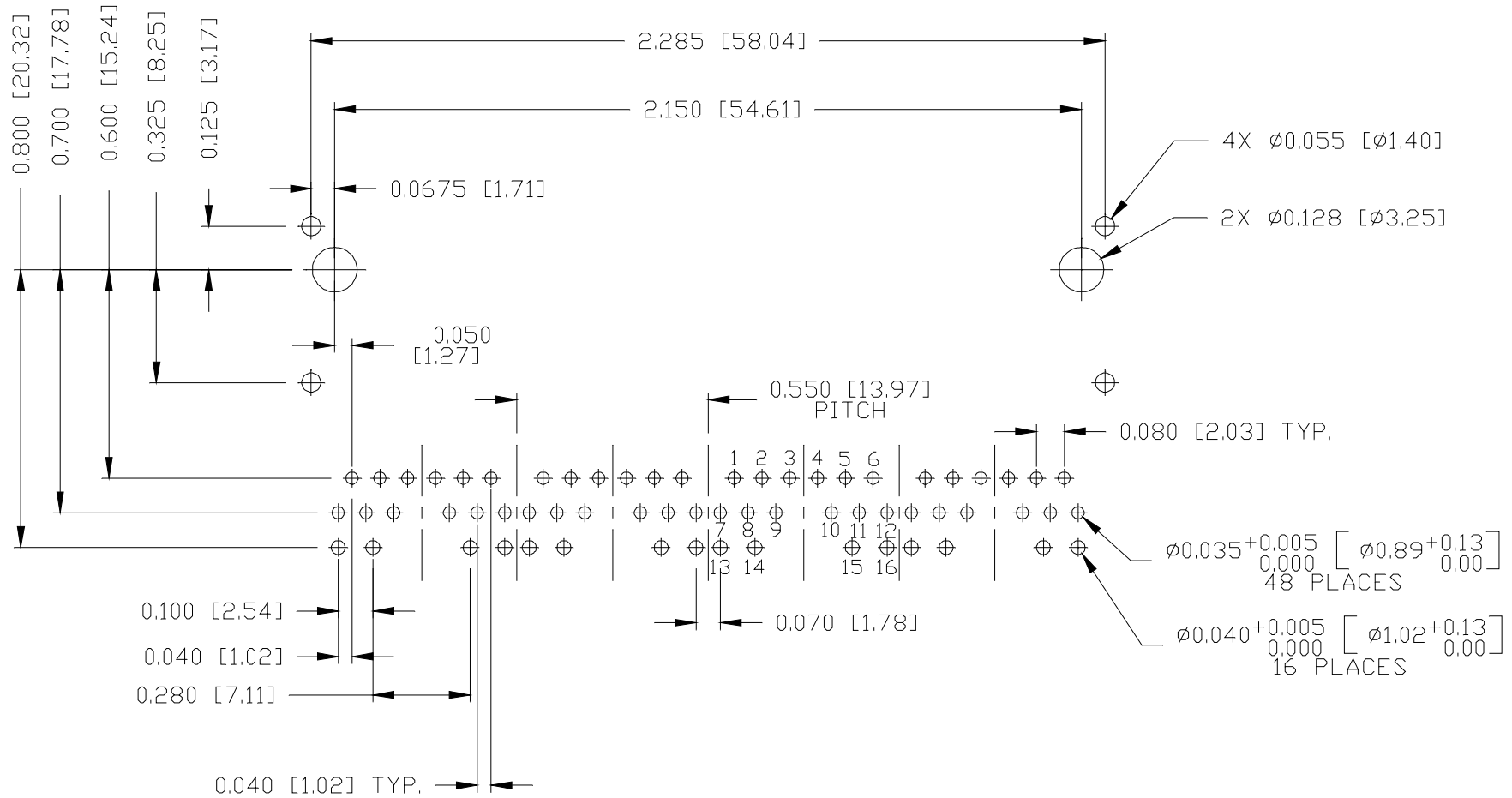
.X		UNIT : INCH [mm]
.XX		SCALE : N/A
.XXX	±0.004	SIZE : A4

REV. : D PAGE : 4



THE INFORMATION CONTAINED HEREIN IS CONSIDERED "PROPRIETARY" TO BEL FUSE INC. AND SHALL NOT BE COPIED, REPRODUCED OR DISCLOSED WITHOUT THE WRITTEN APPROVAL OF BEL FUSE INC.

RoHS



RECOMMENDED PCB FOOTPRINT
COMPONENT SIDE VIEW

REV. : D PAGE : 5

ORIGINATED BY
ANTON LIAO
DATE 2017-05-25
DRAWN BY
JESSE LI
DATE 2017-05-25

TITLE
gigabit MagJack®
(8 cores, Tab Up)
0826-1X4T-43-F
PATENTED

PART NO. / DRAWING NO.
08261X4T43-F
FILE NAME
08261X4T43-F_D.DWG

STANDARD DIM. TOL. IN INCH		[] METRIC DIM. AS REF.
.X		UNIT : INCH [mm]
.XX		SCALE : N/A
.XXX	±0.004	SIZE : A4

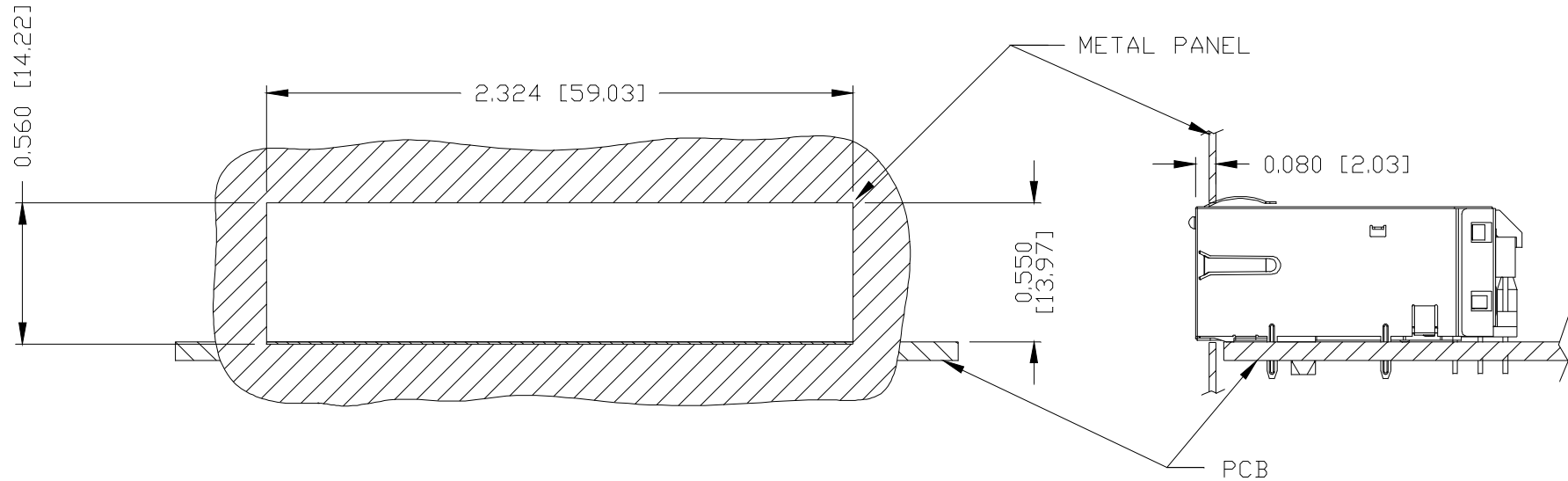


THE INFORMATION CONTAINED HEREIN IS CONSIDERED "PROPRIETARY" TO BEL FUSE INC. AND SHALL NOT BE COPIED, REPRODUCED OR DISCLOSED WITHOUT THE WRITTEN APPROVAL OF BEL FUSE INC.

RoHS



SUGGESTED PANEL OPENING



NOTES:

THE DISTANCE OF PANEL INSIDE SURFACE RELATIVE TO FRONT SURFACE OF PART IS ONLY A SUGGESTION. IN CASE THIS DISTANCE IS DIFFERENT, THE REQUIRED PANEL OPENING DIMENSIONS CHANGE ACCORDINGLY.

PACKING INFORMATION

PACKING TRAY : 0200-9999-B4 (TOP)

0200-9999-B5 (BOTTOM)

PACKING QUANTITY : 24 PCS FINISHED GOODS PER TRAY

10 TRAYS (240 PCS FINISHED GOODS) PER CARTON BOX

NOTE : CARDBOARDS ARE PLACED BETWEEN LAYERS OF PACKING TRAY INSIDE CARTON BOX

(INCLUDE THE UPPERMOST AND LOWERMOST TRAY)

REV. :	D	PAGE :	6
--------	---	--------	---

ORIGINATED BY ANTON LIAO	TITLE gigabit MagJack® (8 cores, Tab Up) 0826-1X4T-43-F PATENTED
DATE 2017-05-25	
DRAWN BY JESSE LI	
DATE 2017-05-25	

PART NO. / DRAWING NO. 08261X4T43-F	STANDARD DIM. TOL. IN INCH	[] METRIC DIM. AS REF.
FILE NAME 08261X4T43-F_D.DWG	.X	UNIT : INCH [mm]
	.XX	SCALE : N/A
	.XXX ±0.004	SIZE : A4

UNIT : INCH [mm]	SCALE : N/A	SIZE : A4
------------------	-------------	-----------

