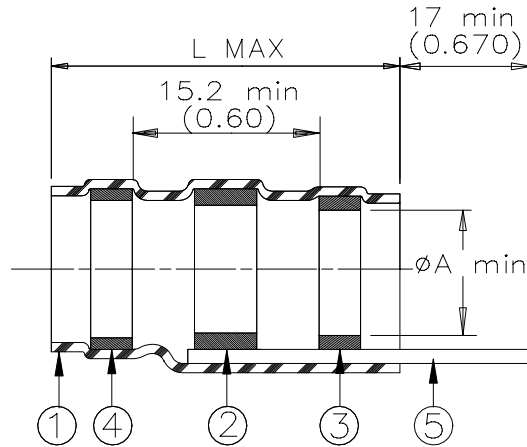


SPECIFICATION CONTROL DRAWING



Product Revision		Product Dimensions		Cable Dimensions		
Product Name		L max	øA min	øB max	øC min	øD min
CWT-3803-W3	B	42.0 (1.655)	2.7 (0.105)	2.7 (0.105)	1.8 (0.070)	1.3 (0.050)
CWT-3805-W3	A	42.0 (1.655)	4.5 (0.180)	4.5 (0.180)	2.3 (0.090)	1.8 (0.070)
CWT-3806-W3	B	42.0 (1.655)	6.0 (0.235)	6.0 (0.235)	3.3 (0.130)	2.8 (0.110)
CWT-3807-W3	A	42.0 (1.655)	7.0 (0.275)	7.0 (0.275)	3.7 (0.145)	3.2 (0.125)
CWT-3809-W3	B	42.0 (1.655)	8.7 (0.340)	8.7 (0.340)	4.2 (0.165)	3.7 (0.145)

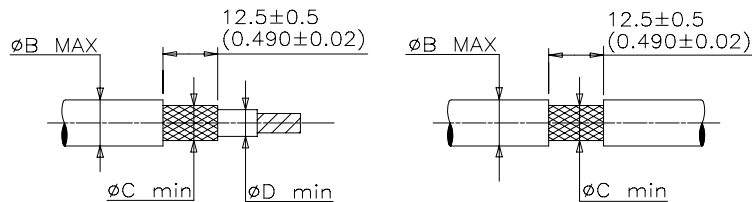
MATERIALS

- INSULATION SLEEVE: Heat-shrinkable, transparent clear, radiation cross-linked modified polyolefin.
- SOLDER PREFORM WITH FLUX:
SOLDER: TYPE Cd18per ANSI-J-STD-006.
FLUX: TYPE ROM1 per ANSI-J-STD-004.
- MELTABLE RING: Thermally stabilized thermoplastic. Color:clear.
- MELTABLE RING: Thermally stabilized thermoplastic. Color:blue.
- GROUND LEAD: W3: AWG22 solid tin plated copper, without insulation.

APPLICATION

- These controlled soldering devices are designed for termination of bare or tin plated copper shield on a cable having an insulation rated for at least +85°C.
- Temperature range: -55°C to +125°C. For installation procedure and application equipment, consult RPIP-824-00.

For best results, prepare the cable as shown:



* A trademark of Raychem Corporation.

Raychem		THERMOFIT DEVICES		Raychem Corporation 300 Constitution Drive Menlo Park, CA 94025 USA		TITLE: SOLDERSLEEVE* ONE STEP SHIELD TERMINATION WITH UNINSULATED LEAD-LOW TEMPERATURE	
UNLESS OTHERWISE SPECIFIED DIMENSIONS ARE IN MILLIMETERS. INCHES DIMENSIONS ARE BETWEEN BRACKETS.				DOCUMENT NO.: CWT-38XX-W3			
TOLERANCES: 0.00 N/A 0.0 N/A 0 N/A		ANGLES: N/A ROUGHNESS IN MICRON		Raychem reserves the right to amend this drawing at any time. Users should evaluate the suitability of the product for their application.		DCR NUMBER: D981000	
DRAWN BY: M. FORONDA		DATE: 06/15/98		PROD. REV. SEE TABLE		SCALE: None	
				DOC ISSUE: 6		SIZE: A	
						SHEET: 1 of 1	

**If this document is printed it becomes uncontrolled.
Check with the web for latest revision.**