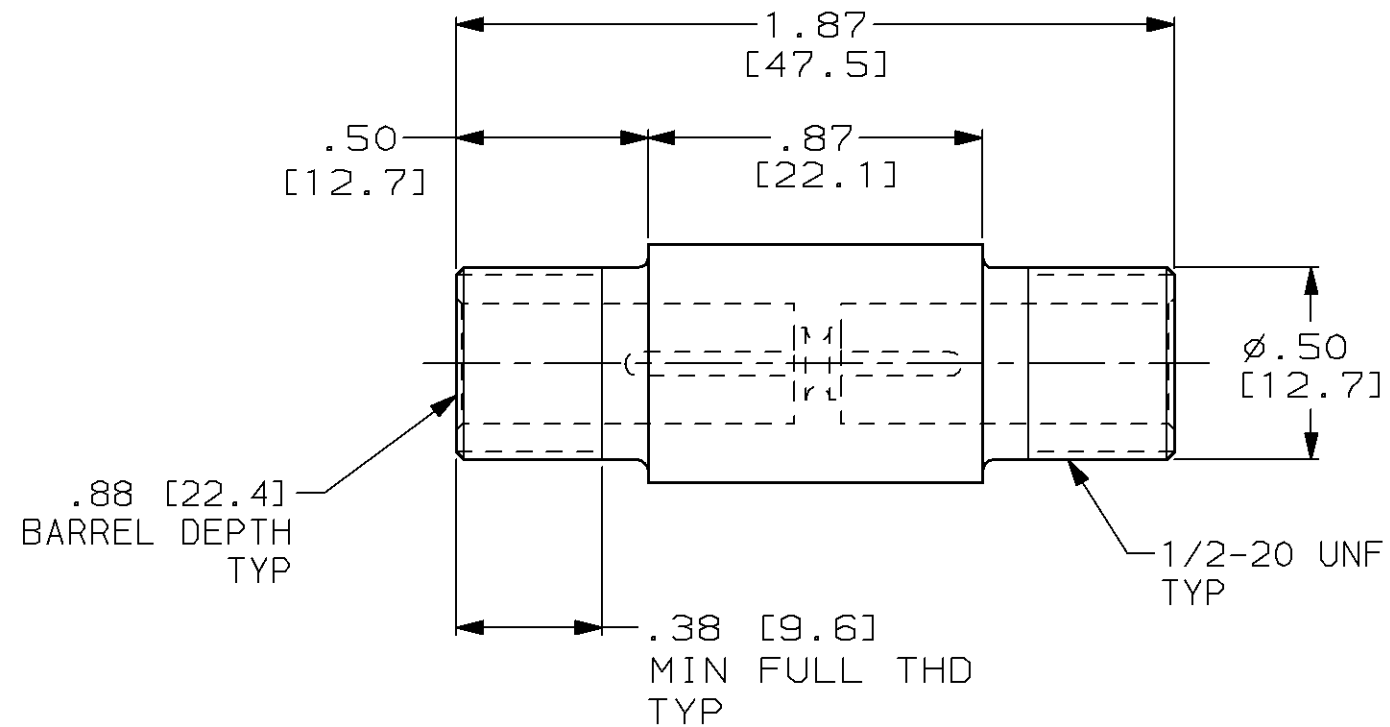
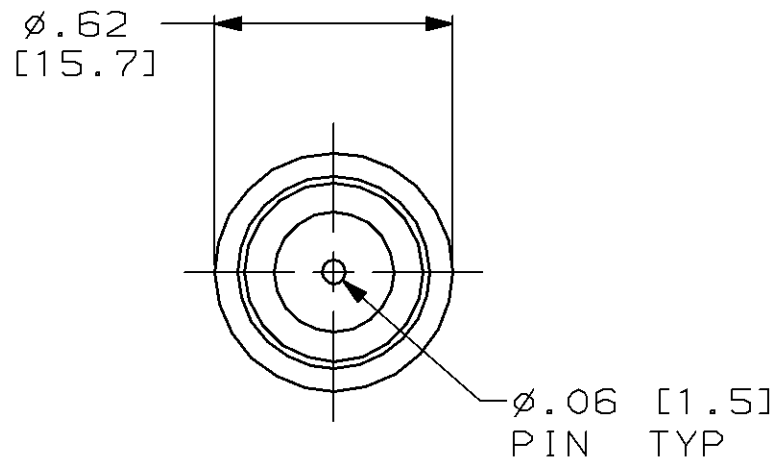


THIS DRAWING IS UNPUBLISHED. RELEASED FOR PUBLICATION, 19 .
 © COPYRIGHT 19 BY AMP INCORPORATED. ALL RIGHTS RESERVED.

LOC	DIST	REVISIONS			
P	LTR	DESCRIPTION	DATE	DWN	APVD
DF	SO	G	REV & REDRAWN; 0600-6006-96	12-96	CT SG



1. RECEPTACLE TO MATE WITH AMP LGH-1 LEAD ASSY WITH .88 [22.4] BARREL DEPTH.

REMARKS	DESCRIPTION	PART NUMBER
OBSOLETE	GOLD PLATED PIN	830149-2
-	TIN PLATED PIN	830149-1

THIS DRAWING IS A CONTROLLED DOCUMENT.		DWN C.C. THOMAS 12-9-96	AMP AMP Incorporated Harrisburg, PA 17105-3608												
DIMENSIONS: INCHES [mm]		CHK S. GLATFELTER 1-15-97													
TOLERANCES UNLESS OTHERWISE SPECIFIED:		APVD S. GLATFELTER 1-15-97	NAME RCPT ASSY, FEED-THRU FOR SPLICE APPLICATIONS, LGH-1												
<table border="1"> <tr><td>0 PLC</td><td>±-</td></tr> <tr><td>1 PLC</td><td>±-</td></tr> <tr><td>2 PLC</td><td>±.02 [0.5]</td></tr> <tr><td>3 PLC</td><td>±-</td></tr> <tr><td>4 PLC</td><td>±-</td></tr> <tr><td>ANGLES</td><td>±-</td></tr> </table>		0 PLC	±-	1 PLC	±-	2 PLC	±.02 [0.5]	3 PLC	±-	4 PLC	±-	ANGLES	±-	PRODUCT SPEC -	SIZE A3
0 PLC	±-														
1 PLC	±-														
2 PLC	±.02 [0.5]														
3 PLC	±-														
4 PLC	±-														
ANGLES	±-														
MATERIAL MOLDED GLASS EPOXY	COLOR BLACK	APPLICATION SPEC -	CAGE CODE 00779												
		WEIGHT -	DRAWING NO C-830149												
		CUSTOMER DRAWING	SCALE 2:1												
			SHEET 1 OF 1												
			REV G												