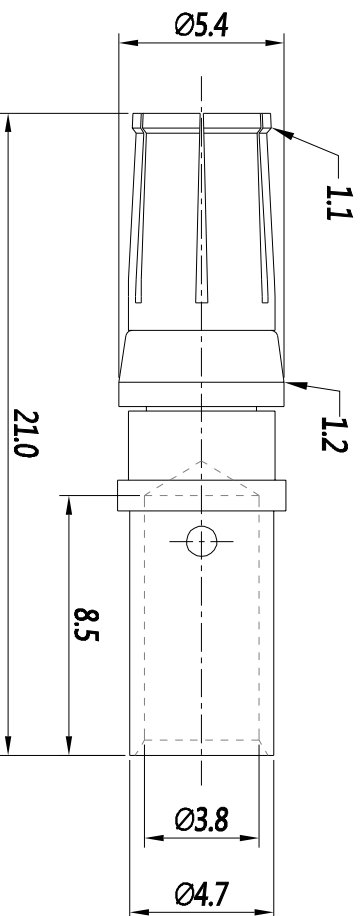


REVISIONS				
REV	ECO	DESCRIPTION	DATE	BY APPR
B1	-	RELEASED DRAWING	JUN-17-2014	BEN TOMMY



P/N	CONTACT PLATING(MATING AREA)
MS10A23T	TIN PLATING OVER NICKEL
MS10A23S	SILVER PLATING OVER NICKEL
MS10A23F	GOLD FLASH PLATING OVER NICKEL
MS10A23G10	10µ" GOLD PLATING OVER NICKEL
MS10A23G15	15µ" GOLD PLATING OVER NICKEL
MS10A23G30	30µ" GOLD PLATING OVER NICKEL

- NOTES : (UNLESS OTHERWISE SPECIFIED)
- MATERIAL :
 - CONTACT BODY : COPPER ALLOY.
 - POSITIONING CLIP : COPPER ALLOY.
 - SPECIFICATIONS :
 - CURRENT RATING : 45A(MAX).
 - TERMINATION TYPE : CRIMPING.
 - WIRE RANGE : 10~12AWG.
 - SUITABLE SOCKET TYPE : MP10A23xx .
 - ROHS COMPLIANT.
 - ALL DIMENSIONS ARE FOR REFERENCE USE ONLY.

QUANTITY	PART NUMBER	DESCRIPTION	ITEM
MATERIALS LIST			
UNLESS OTHERWISE SPECIFIED			
1) All dimensions are in millimeters.			
2) Tolerances are as follows:			
1 Ft. DEC 2d 20			
2 Ft. DEC 2d 20			
3 Ft. DEC 2d 20			
3) Note reference = A			
MATERIAL SPECIFICATIONS:		CUSTOMER:	
PROCESS SPECIFICATIONS:		THIS DRAWING IS SUPPLIED FOR SPECIFICATION AND PERFORMANCE DATA ONLY. THE DRAWING IS NOT TO BE USED FOR REPRODUCTION OR REPRODUCTION IN ANY MANNER. ALL MANUFACTURING VARIATION	
NEXT ASST:		SCALE: NONE	
SIGNATURES		DATE	
DRAWN: BEN		JUN/17/14	
CHECKED:			
ENGINEER:			
APPROVAL:			
ECO-MATE SOCKET CONTACT, MACHINE, FEMALE CONTACT, 3.6mm		SIZE TYPE: B C-	
Shine Systems - www.amphenol-shine.com		DRAWING: MS10A23xx	
44724 Monkey Drive		REVISION: B1	
Clinton Township, MI 48038		SHEET 1 OF 1	

FILE: ECO-MATE_SOCKET CONTACT MACHINE CONTACT 3.6mm

DWG NO: MS10A23xx

REV: B1

SH: 1

QF: 1