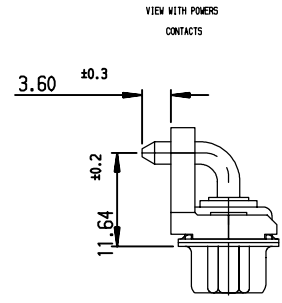
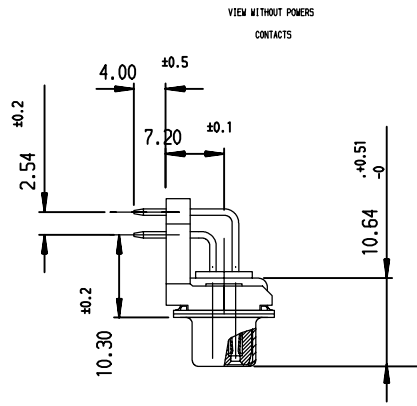
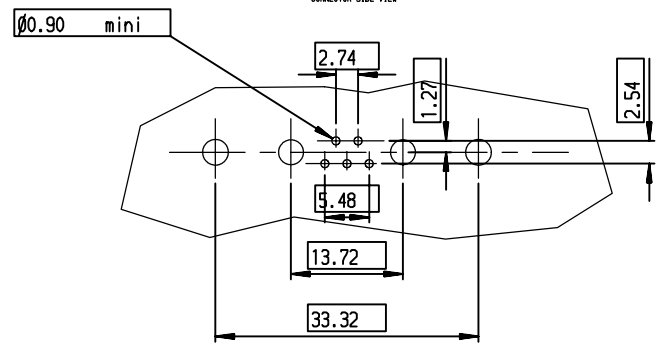


LAYOUT DIMENSIONS (after plating)

CONNECTOR SIDE VIEW



DAV7W2S500P40LF	UNC 4.40
DAI7W2S500P40LF	M3
PART NUMBER	Threaded A

GENERAL CHARACTERISTICS AND ROHS INFORMATIONS
SEE DRAWING NUMBER: C01-8639-0000

European Views

www.fciconnect.com		surface ISO 1302 ✓	tolerance std ISO 406 ISO 1101	projection mm	size A3	Scale 1.5		
Dr JARRY 2005/10/22		TOLERANCES UNLESS OTHERWISE SPECIFIED				ECN L506-0095 Spec ref -		
Eng PESSON 2005/10/22		ANGULAR	LINEAR				0.X ±0.1	0.XX ±0.1
Chr LEGARE 2005/10/22		0.XX ±2°	0.XXX ±0.1					
Appr LEGARE 2005/10/22		Product family		D-SUB				
		SOCKET CONNECTOR RIGHT ANGLED WITH POWERS CONTACTS			dwg no C01-8639-2216	Rev. B		
catalog no		-		CUSTOMER sheet 1 of 1				

rev	ecn no	dr	date
A	LS05-0090	MPE	2005/10/22
B	LS06-0095	LGO	2006/07/20
-	-	-	-
-	-	-	-
-	-	-	-
-	-	-	-



Copyright FCI.