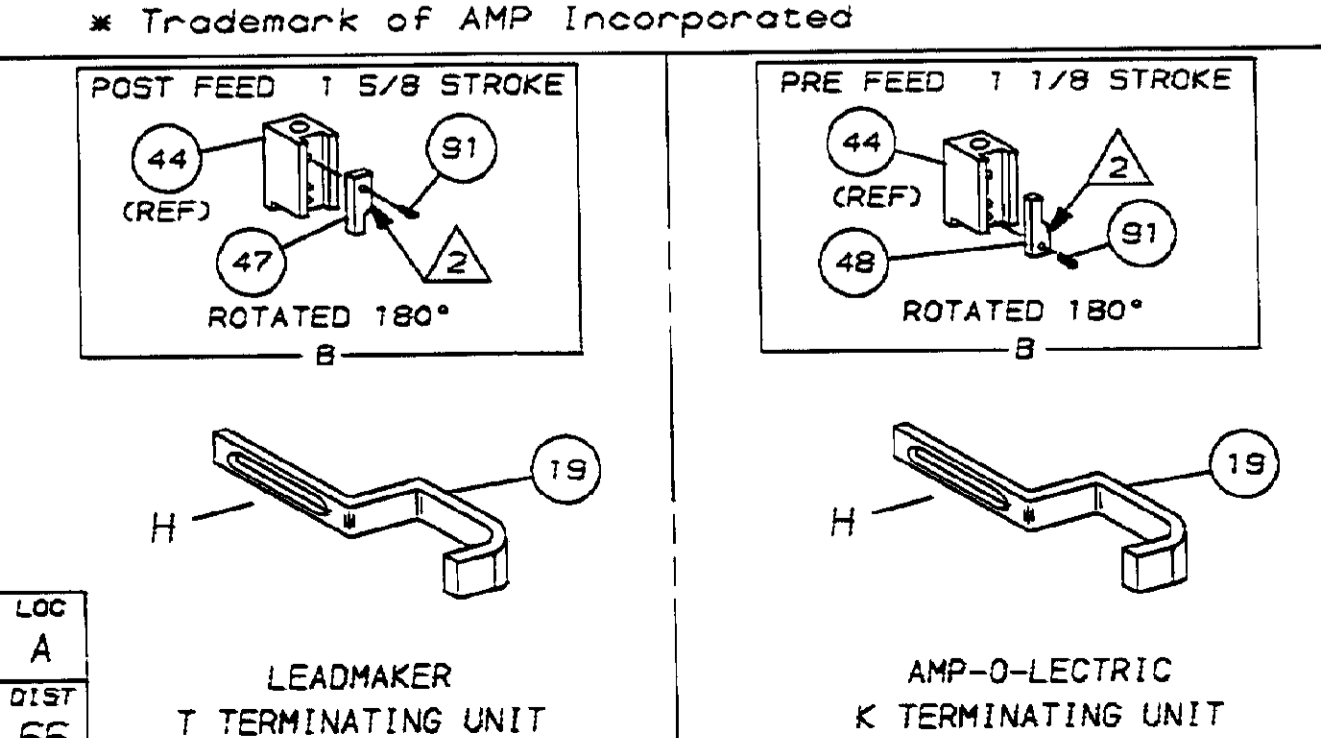
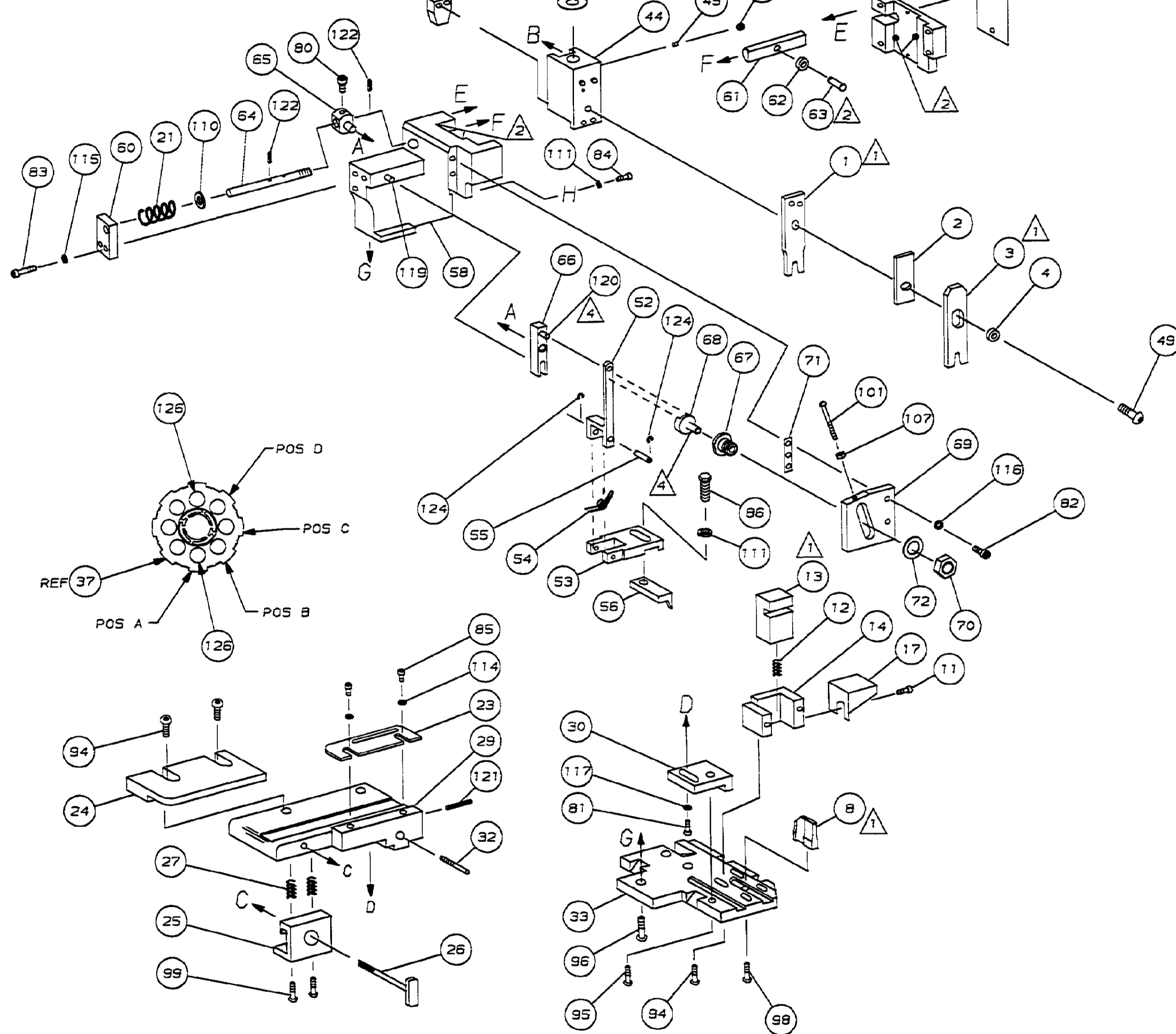
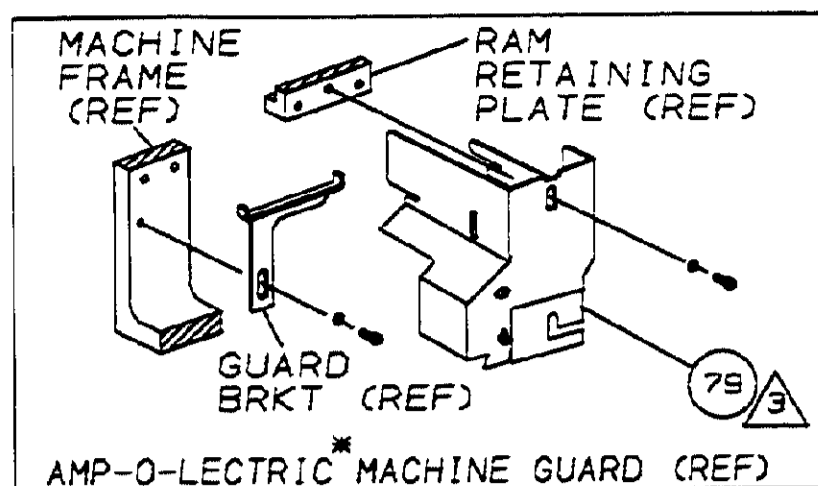
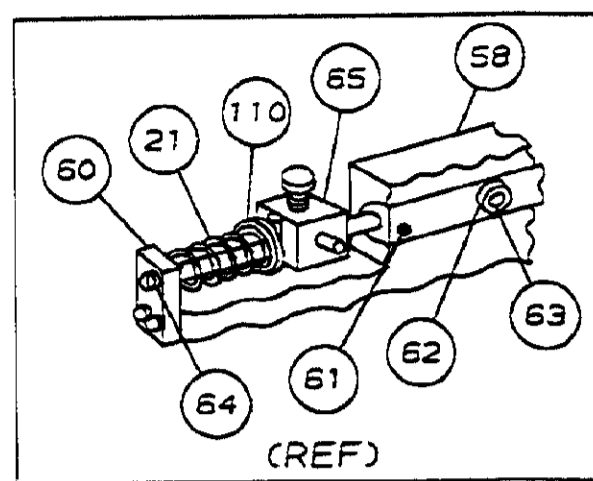


DRAWING MADE IN THIRD ANGLE PROJECTION

PART NUMBER	REV	FIRST USED
680016-1	A	854400-1
680016-2	A	865435-5

PRELIMINARY



- 1 RECOMMENDED SPARE PARTS.
- 2 GREASE LIGHTLY.
- 3 GUARD MUST BE IN PLACE WHEN OPERATING APPLICATOR IN AMP-O-LECTRIC MACHINE.
- 4 LUBRICATE DAILY USING NO. 20 MACHINE OIL.
- 5. ITEMS WITH QTY OF REF SPECIFIED (EXCEPT ITEM 79) ARE USED ON ITEM 46.

TERMINAL NAME:		CRIMPING DATA		
AMP-IN	84143	PAD LTR	CRIMP HEIGHT	WIRE SIZE
		A	.100 ±.002	(2, 3 OR 4) 18
		B	NOT	USED
		C	NOT	USED
		D	NOT	USED
		CRIMP	SIZE	TYPE
		WIRE	.100	F
		INSUL	.210	0
		FEED	.630	
		APPL INST	408-8040	SET UP GAGE
			458637-1	L1519
		WIRE STRIP LENGTH		

QTY	REF	U/M	DWG SIZE	PART NO	DESCRIPTION	ITEM NO
1				2-354778-1	PIN, WIRE DISC (.2600)A	126
1				986950-1	WASHER, FLAT PRECISION	125
REF	REF			21045-3	RING, RET "C" (φ.187)FD FING PIN	124
REF	REF			5-21028-1	PIN, SLT SPR (φ.125x.50)ADJ ROD	122
1				4-21028-0	PIN, SLT SPR (φ.093x.75)ST GDE PL	121
REF	REF			1-21030-1	PIN, DOWEL (φ.187x.50)LEVER	120
REF	REF			1-21030-6	PIN, DOWEL (φ.187x1.25)HOUSING	119
1				21024-5	WASHER, LOCK (#10)ADJ BLOCK	117
REF	REF			21024-5	WASHER, LOCK (#10)ADJ PLATE	116
REF	REF			21024-5	WASHER, LOCK (#10)FEED GDE ROD	115
2				21024-2	WASHER, LOCK (#4)FRONT STP GUIDE	114
4				21024-4	WASHER, LOCK (#8)STRIPPER	111
REF	REF			21899-4	WASHER, FLAT (φ5/16)SCREW ADJ	110
REF	REF			21018-5	NUT, HEX (6-32)FEED ADJ	107
1				21009-2	SCR, SKT SET (1/4-20x.25 LW)RAM	103
2				21017-2	SCR, DRIVE (#2x.19)ID PLATE	102
REF	REF			6-23715-5	SCR, PAN HD (6-32x1.50)FEED ADJ	101
1				461264-1	PLATE, IDENTIFICATION	100
2				3-21002-0	SCR, BHC (10-32x.88)DRAG	99
1				22733-8	SCR, BHC (8-32x.38 LW)ANVIL	98
REF	REF			2-21002-9	SCR, BHC (10-32x.75)CAP	97
REF	REF			2-22733-8	SCR, BHC (1/4-20x.62)HOUSING	96
REF	REF			2-21002-7	SCR, BHC (10-32x.50)SG ADJ BLOCK	95
4				2-21002-2	SCR, BHC (8-32x.50)SHEAR	94
1				1-21002-7	SCR, BHC (6-32x.38)CAM	91
1				2-22603-0	SCR, HEX HD (8-32x.31)FEED FINGER	86
2				1-21000-3	SCR, SHC (4-40x.25)F ST GUIDE	85
3				2-21000-7	SCR, SHC (8-32x.50)STRIPPER	84
REF	REF			3-21000-7	SCR, SHC (10-32x.75)FEED ROD GD	83
REF	REF			3-21000-6	SCR, SHC (10-32x.62)FD ADJ BLK	82
1				3-21000-4	SCR, SHC (10-32x.38)SG ADJ BL	81
REF	REF			3-21000-4	SCR, SHC (10-32x.38)Pivot BLK	80
REF				455749-1	GUARD, WINDOW	79
1				690603-1	SPRING, ASSIST	74
1				23030-1	SCR, SKT CAP (6-32x.25)CP DSC	73
REF	REF			458109-1	WASHER, SPECIAL	72
REF	REF			690517-1	SPACER	71
-2	-1	U/M	DWG SIZE	PART NO	DESCRIPTION	ITEM NO
					REVISION OF EACH ASSY NO GIVEN BLANK, USE DWG REVISION	

QTY	REF	U/M	DWG SIZE	PART NO	DESCRIPTION	ITEM NO	
-1				LEADMAKER	MECH-POST FEED		
-2				AMP-O-LECTRIC	MECH-PRE FEED		
REF	REF			B	22594-8	NUT, HEX (1/2-20)	70
REF	REF			B	240628-1	PLATE, ADJUSTMENT	69
REF	REF			B	240626-1	SHAFT, PIVOT	68
REF	REF			B	240633-1	BUSHING	67
REF	REF			A	455680-1	LEVER, INTERMEDIATE	66
REF	REF			B	240629-1	BLOCK, PIVOT	65
REF	REF			A	240632-2	SCREW, ADJ FEED ROD	64
REF	REF			B	240659-3	PIN, CAM ROLLER	63
REF	REF			B	240658-1	ROLLER, CAM	62
REF	REF			B	454398-2	ROD, FEED	61
REF	REF			A	454178-1	GUIDE, FEED ROD	60
REF	REF			C	454220-1	CAP, RAM	59
REF	REF			D	454485-1	HOUSING	58
1							57
1				B	2-694433-6	PAWL, FEED	56
REF	REF			B	240624-1	PIN, FEED FINGER	55
REF	REF			B	691499-1	SPRING, FEED FINGER	54
REF	REF			B	690541-1	HOLDER, FEED FINGER	53
REF	REF			A	455679-2	LEVER, TERMINAL FEED ARM	52
1							51
1				A	690686-3	BOLT, CRIMPER (5/16x1.00)	49
1				B	690602-5	CAM, PRE-FEED 1 1/8 ST	48
-	1			B	690501-4	CAM, POST-FEED 1 5/8 ST	47
1				B	459456-2	APPLICATOR, BASIC (SUBASSY)	46
1				A	690191-1	PLUG, NYLON	45
1				C	455673-1	RAM	44
1				A	690125-1	WASHER, LAMINATED	43
1				A	690124-1	WASHER, RAM	42
1							41
1				A	23241-6	BALL, STEEL	40
1				A	690170-1	SPRING, COMPRESSION	39
1				C	690142-5	DISC, INSULATION	38
1				D	354777-1	WIRE DISC, PLASTIC	37
1				A	22480-5	WASHER, SPRING	36
1				B	690212-1	POST, RAM	35
1							34
REF	REF			D	455675-1	PLATE, BASE	33
1				A	690432-3	SCREW, ADJUSTMENT	32
1							31
REF	REF			B	455689-1	BLOCK, STRIP GUIDE ADJ	30
1				C	122370-1	PLATE, STRIP GUIDE	29
1							28
2				A	1-22284-0	SPRING, DRAG	27
1				B	690546-1	LEVER, DRAG RELEASE	26
1				B	690754-6	DRAG, TERMINAL	25
1				B	679626-1	GUIDE, STRIP (REAR)	24
1				A	693855-2	GUIDE, STRIP (FRONT)	23
1							22
REF	REF			A	4-22284-9	SPRING, FEED RETURN	21
1				B	817375-1	STRIPPER	19
1				A	691668-1	GUARD, CHIP (REAR)	17
1							16
1				B	690462-1	HOLDER, SHEAR (REAR)	14
1				C	454276-1	SHEAR, FLOAT (REAR)	13
1				A	5-22280-0	SPRING, SHEAR	12
1				B	690461-1	STOP, SHEAR	11
1							10
1				C	679621-1	ANVIL	8
1							7
1				A	690468-7	DEPRESSOR, SHEAR (REAR)	6
1							5
1				B	2-238009-4	SPACER, BLOCK CRIMPER	4
1				C	6-683454-1	CRIMPER, INSULATION	3
1				C	1-455888-8	SPACER, CRIMPER	2
1				C	456408-3	CRIMPER, WIRE	1

LOC	DIST	SCALE	DWG NO	PARTS LIST	REVISION RECORD	APP DATE	DATE	SCALE	DWG NO	PARTS LIST	REVISION RECORD	APP DATE	DATE
A	66		D										