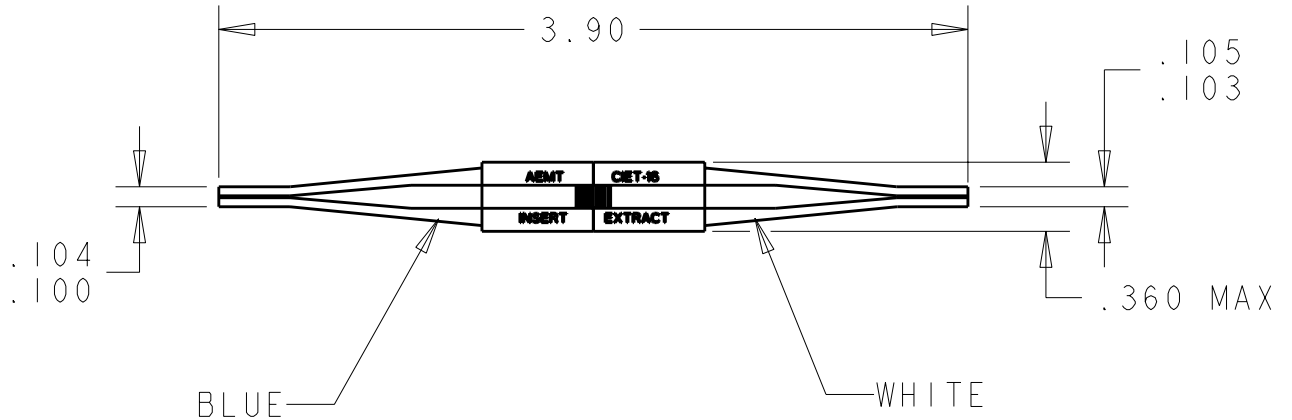


LOC	DIST	REVISIONS					
		P	LTR	DESCRIPTION	DATE	DWN	APVD
-	-		A	NEW RELEASE	17OCT2008	CR	DO



- PART NUMBER CHANGES AND OR DESIGN CHANGES AFFECTING ITEM INTERCHANGEABILITY REQUIRE PRIOR TYCO ELECTRONICS APPROVAL AND AUTHORIZATION BY REVISION TO THIS DRAWING.
- MATERIAL: THERMOPLASTIC
COLOR: BLUE/WHITE
- INSERTION/EXTRACTION TOOL FOR USE ON INSERTABLE/REMOVABLE CONTACT SIZE #16

AS SHOWN	1643916-1
DESCRIPTION	PART NO.

DIMENSIONS: INCHES	DWN C. ROHLER	17OCT2008	MATERIAL	-	FINISH	-
	CHK D. ORRIS	17OCT2008	Tyco Electronics Harrisburg, PA 17105-3608			
TOLERANCES UNLESS OTHERWISE SPECIFIED:	APVD M. PERCHERKE	17OCT2008				
0 PLC ±-	PRODUCT SPEC	-	NAME INSERTION/REMOVAL TOOL SIZE #16 BLUE/WHITE, DOMINO/DRAWERS			
1 PLC ±-	APPLICATION SPEC	-	SIZE	CAGE CODE	DRAWING NO	RESTRICTED TO
2 PLC ±.02	WEIGHT	-	A4	00779	C-1643916	-
3 PLC ±.010			CUSTOMER DRAWING			
4 PLC ±-			SCALE	:	SHEET	OF
ANGLES ±5						REV
						A