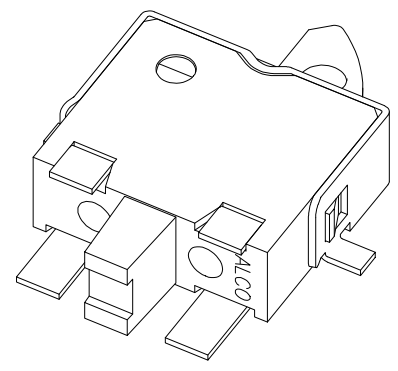
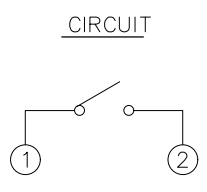
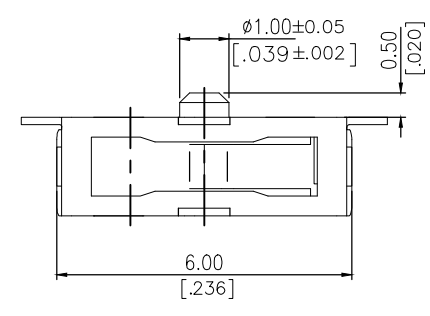


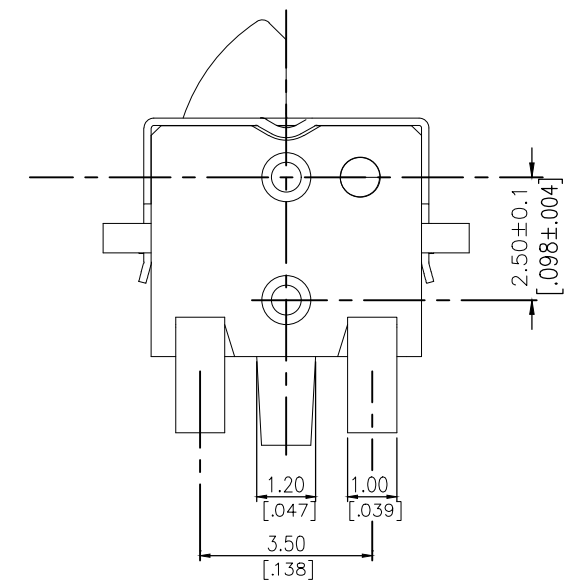
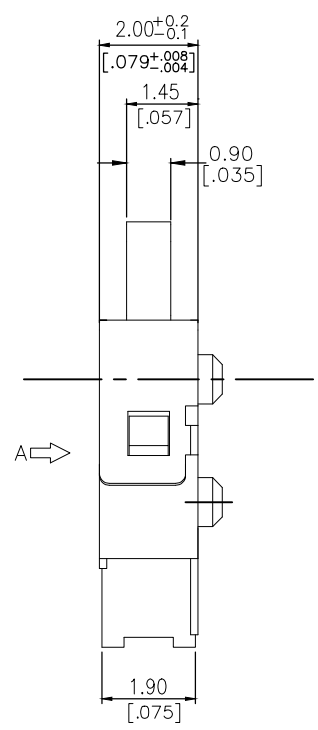
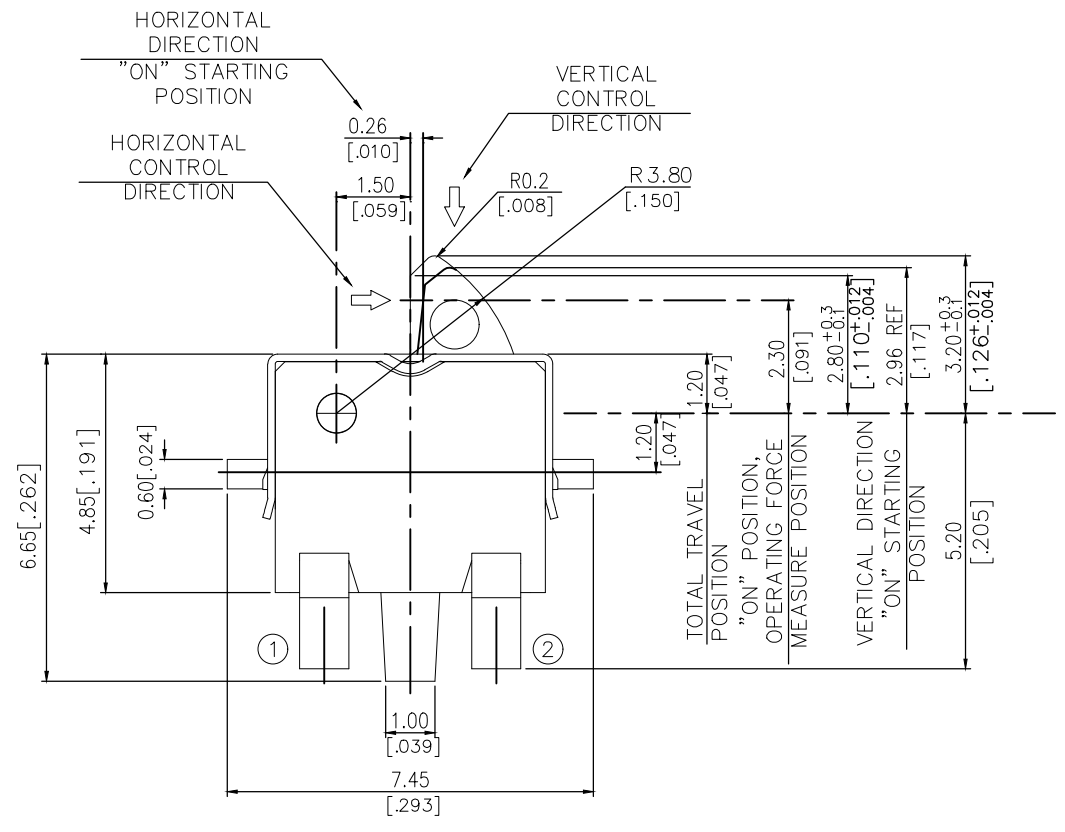
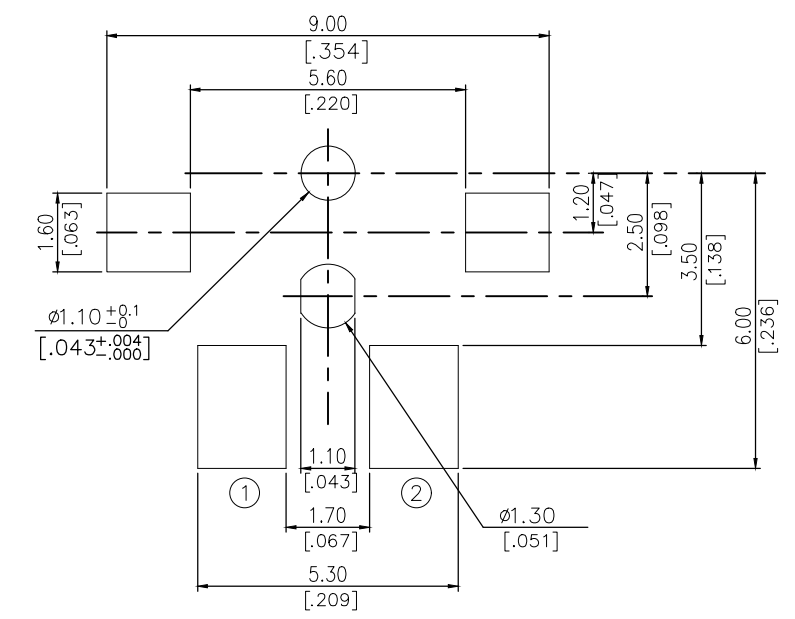
THIS DRAWING IS UNPUBLISHED. RELEASED FOR PUBLICATION
 © COPYRIGHT - TE Connectivity Ltd. ALL RIGHTS RESERVED.

| REVISIONS | | | | | |
|-----------|-----|---------------|-----------|-----|------|
| P | LTR | DESCRIPTION | DATE | DWN | APVD |
| | A | ECR-18-012767 | 14AUG2018 | DHC | AS |

2331406-1
AS SHOWN



P.C.B LAYOUT
(VIEW FROM THE DIRECTION A)



| | | | | | |
|---|--|---------------------------------|--|--|--|
| THIS DRAWING IS A CONTROLLED DOCUMENT. | | DWN GANESH C M 07MAR2018 | TE Connectivity Ltd. | | |
| DIMENSIONS: mm [INCHES] | | CHK ALEXANDER SHARPE 07MAR2018 | | | |
| TOLERANCES UNLESS OTHERWISE SPECIFIED: | | APVD ALEXANDER SHARPE 07MAR2018 | SIZE A3 CAGE CODE 00779 DRAWING NO C-2331406 RESTRICTED TO - | | |
| 0 PLC ± - 1 PLC ± - 2 PLC ± 0.20 [.008] 3 PLC ± - 4 PLC ± - ANGLES ± - | | PRODUCT SPEC - | | | |
| MATERIAL - | | FINISH - | CUSTOMER DRAWING | | |

THIS DRAWING IS UNPUBLISHED.

RELEASED FOR PUBLICATION

REVISIONS

© COPYRIGHT - TE Connectivity Ltd.

ALL RIGHTS RESERVED.

| P | LTR | DESCRIPTION | DATE | DWN | APVD |
|---|-----|-------------|------|-----|------|
| - | - | SEE SHEET 1 | - | - | - |

NOTES:

1. MATERIALS

ACTUATOR: THERMOPLASTIC, UL 94V-0, COLOR BROWN
 BODY: THERMOPLASTIC, UL 94V-0, COLOR BLACK
 COVER: NICKEL SILVER
 TERMINAL: BRASS, SILVER PLATE
 CONTACT: STAINLESS STEEL, SILVER CLAD

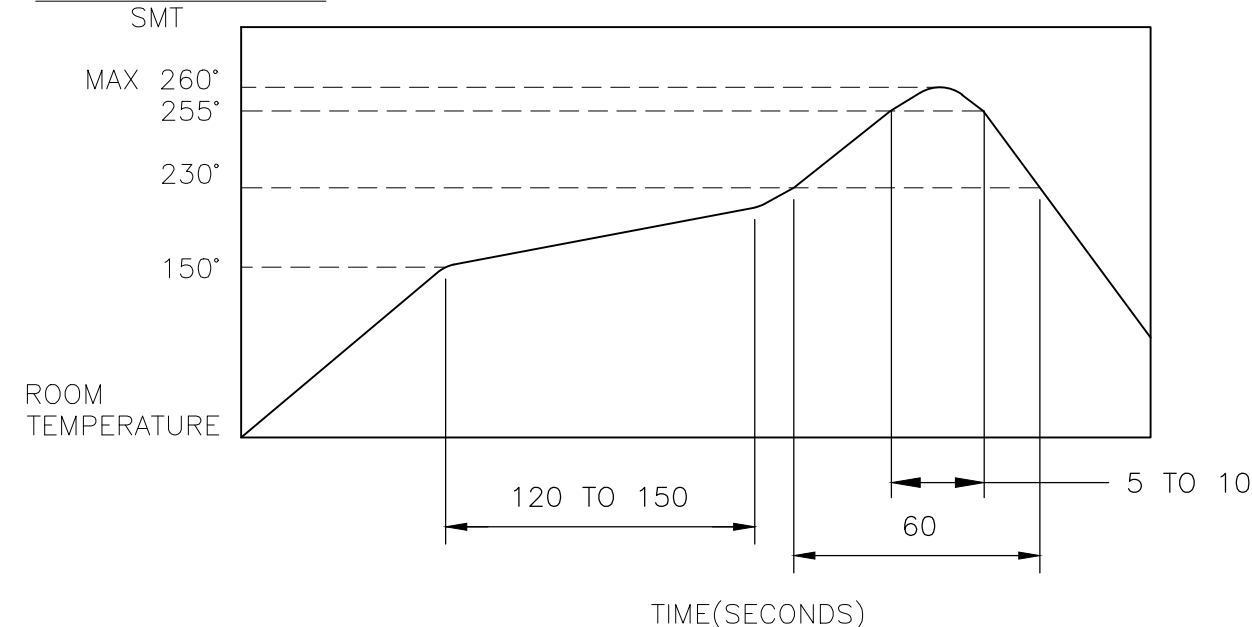
2. COMPLIANCE:

ALL MATERIALS AND FINISHES SHALL COMPLY WITH EU
 DIRECTIVE 2002/95/EC OF 27JAN2003(RoHS)

3. SPECIFICATIONS:

RATING: DC 20V, 50mA
 CONTACT RESISTANCE: 1Ω MAXIMUM(INITIAL)
 INSULATION RESISTANCE: 100MΩ MINIMUM AT 100V DC
 DIELECTRIC STRENGTH: 100V AC, 1 MINUTE
 OPERATING LIFE: 100,000 CYCLES WITH LOAD
 TOTAL TRAVEL: 2.0 [.079]
 ACTUATION FORCE: 50gf MAXIMUM
 OPERATING TEMPERATURE: -10°C TO 60° C
 STORAGE TEMPERATURE: -20°C TO 70° C

4. SOLDER CONDITIONS:



THE CONDITION MENTIONED ABOVE IS THE TEMPERATURE ON THE CU FOIL OF THE PCB SURFACE. THERE ARE CASES WHERE THE BOARD'S TEMPERATURE GREATLY DIFFERS FROM THE SWITCH'S SURFACE. DO NOT ALLOW SWITCH'S SURFACE TEMPERATURE TO EXCEED 260°C

MANUAL SOLDERING

| | |
|---------------------------|-----------------|
| SOLDERING TEMPERATURE | MAX.350°C. |
| CONTINUOUS SOLDERING TIME | MAX. 5 SECONDS. |

PRECAUTIONS IN HANDLING

1. CARE SHOULD BE EXERCISED SO THAT FLUX FROM THE UPPER PART OF THE PRINTED CIRCUIT BOARD DOES NOT ADHERE TO THE SWITCH.

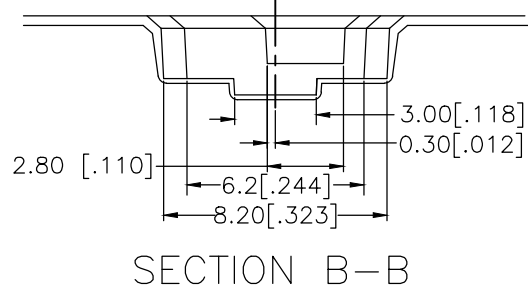
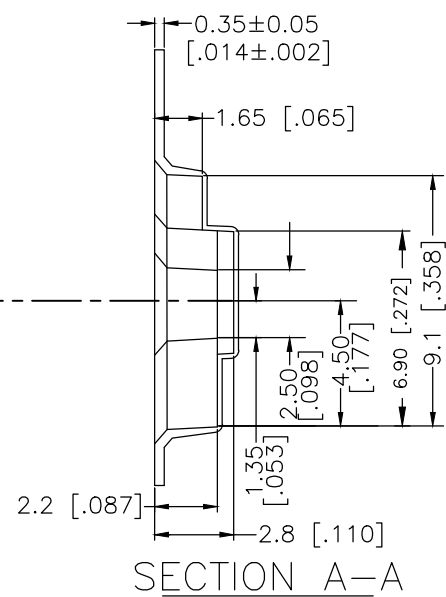
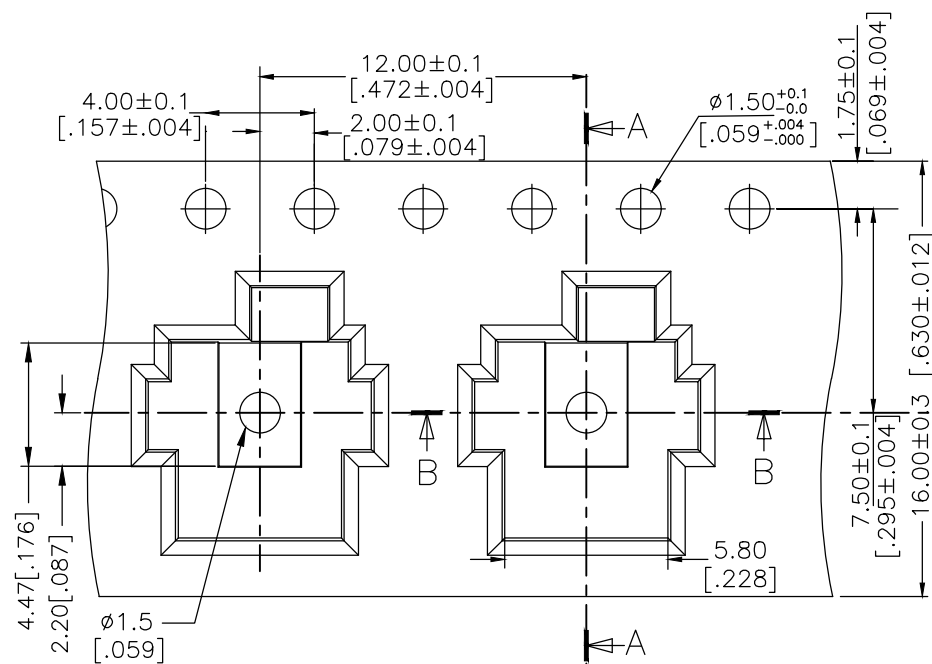
| | |
|-------------------|-------------|
| JJHRRGG200NOPMRTR | 2331406-1 |
| SMART PART NUMBER | PART NUMBER |

| | | | | | |
|--|--|---------------------------------------|--|-------------------------|---------------|
| THIS DRAWING IS A CONTROLLED DOCUMENT. | | DWN GANESH C M 07MAR2018 | TE Connectivity Ltd. | | |
| DIMENSIONS: mm [INCHES] | | CHK ALEXANDER SHARPE 07MAR2018 | | | |
| | | APVD ALEXANDER SHARPE 07MAR2018 | NAME SWITCH, DETECTOR, JJJ SERIES, 6.0X4.85mm, HOR, SMT, RIGHT, GROUND TERM, POSTS | | |
| TOLERANCES UNLESS OTHERWISE SPECIFIED: | | PRODUCT SPEC | SIZE A3 | | |
| 0 PLC ± - | | APPLICATION SPEC | CAGE CODE 00779 | DRAWING NO C-2331406 | RESTRICTED TO |
| 1 PLC ± - | | WEIGHT | - | | |
| 2 PLC ± 0.20 [.008] | | CUSTOMER DRAWING | SCALE NTS | SHEET 2 of 3 | REV A |
| 3 PLC ± - | | | | | |
| 4 PLC ± - | | | | | |
| ANGLES ± - | | | | | |
| MATERIAL - | | | | | |
| FINISH - | | | | | |

| P | LTR | DESCRIPTION | DATE | DWN | APVD |
|---|-----|-------------|------|-----|------|
| - | - | SEE SHEET 1 | - | - | - |

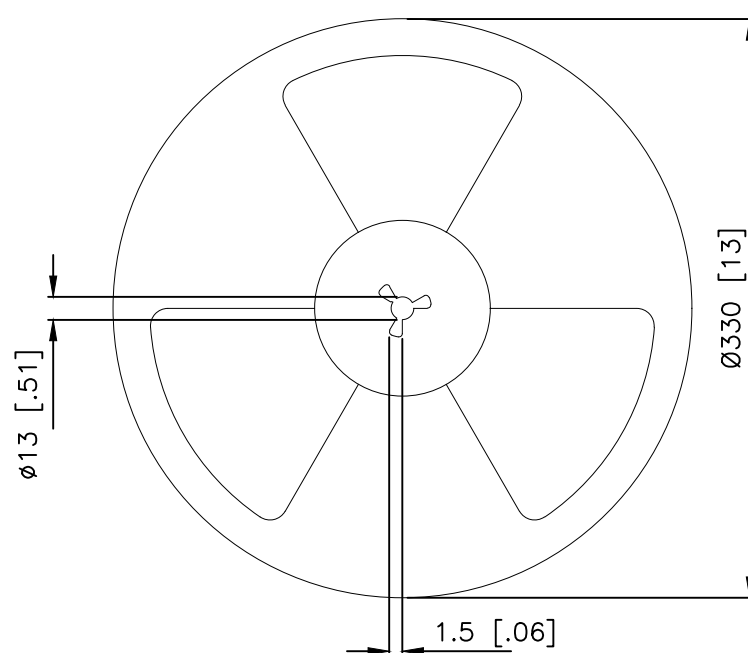
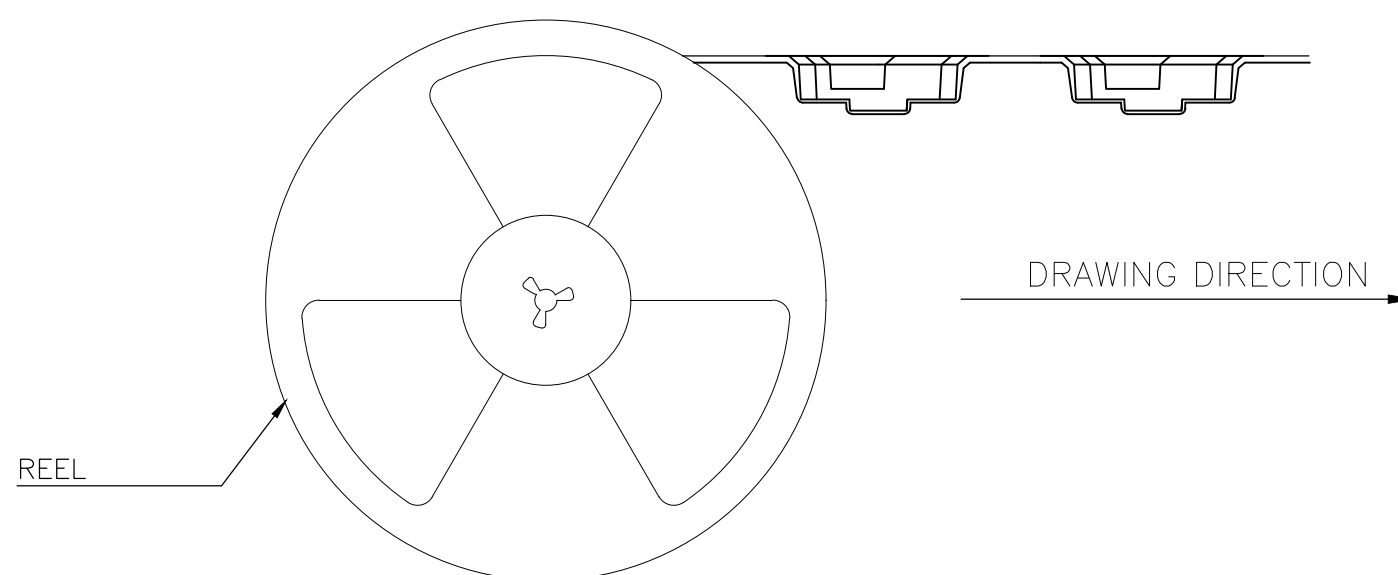
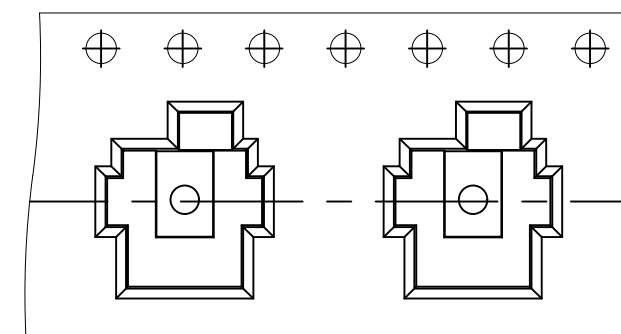
PACKAGING:
2000 SWITCHES PER REEL

THE DIMENSION OF CARRIER TAPE, COVER TAPE AND REEL



THE DIRECTION OF PILOT HOLES

CARRIER TAPE



| | | | | | |
|--|--|------------------|---|-----------|---------------|
| THIS DRAWING IS A CONTROLLED DOCUMENT. | | DWN | GANESH C M | | 07MAR2018 |
| DIMENSIONS: mm [INCHES] | | CHK | ALEXANDER SHARPE | | 07MAR2018 |
| TOLERANCES UNLESS OTHERWISE SPECIFIED: | | APVD | ALEXANDER SHARPE | | 07MAR2018 |
| 0 PLC ± - | | PRODUCT SPEC | NAME | | |
| 1 PLC ± - | | APPLICATION SPEC | SWITCH, DETECTOR, JJJ SERIES, 6.0X4.85mm, | | |
| 2 PLC ± 0.20 [.008] | | | HOR, SMT, RIGHT, GROUND TERM, POSTS, | | |
| 3 PLC ± - | | WEIGHT | SIZE | CAGE CODE | DRAWING NO |
| 4 PLC ± - | | | A3 | 00779 | C=2331406 |
| ANGLES ± - | | CUSTOMER DRAWING | | SCALE | RESTRICTED TO |
| FINISH ± - | | - | | NTS | - |
| MATERIAL - | | - | | SHEET | REV |
| | | | | 3 OF 3 | A |

