

---

## Features

- 300 mA/1.9V/2.5V DC to DC for Co-processor Core
- 80 mA/2.8V Dual-mode LDO for Memories (LDO1)
- 130 mA/2.7V/2.8V LDO for Camera Module (LDO2)
- 130 mA/2.8V LDO for Analog Section Supply of Audio Stereo Codec (LDO6)
- 10 mA/1.8V/2.8V LDO for Digital Section Supply of Audio Stereo Codec (LDO7)
- 130 mA/2.8V LDO for Analog Section Supply of Bluetooth® Module (LDO4)
- 130 mA/2.8V LDO for Digital Section Supply of Bluetooth® Module (LDO5)
- 2 mA/2.4V/2.7V LDO for Low-power Device Control (LDO3)
- Open Drain Switch
- Three-channel Level Shifters
- LED Driver
- 0.5 mA/1.5V Bufferized Voltage Reference
- Power Management Start-up Controller and Reset Generation
- Over- and Under-voltage Protections
- Over-temperature Protection
- Shutdown, Sleep and Enable Modes
- Straightforward and Easy Interfacing to any Baseband Controller
- Small 5 mm x 5 mm, 49-ball BGA Package

## Description

The AT73C204 device provides an integrated power management solution for the add-on multimedia features in new-generation mobile phones. These features include a camera module, sound system for polyphonic ringing tones, memory module for downloaded MP3 files, Bluetooth module for cordless headset, etc. The most common approach to the IC architecture of these new-generation mobile phones is a baseband processor for the basic telephony functions and a separate co-processor for the multimedia features. Atmel proposes the AT73C202 for power management of the baseband processor and RF elements, and the AT73C204 for power management of the multimedia features.

The AT73C204 is suitable for any telecommunications standard: GSM/GPRS, PDS, CDMA, CDMA2000, WCDMA or UMTS. It is packaged in a small form-factor 49-ball 5 mm x 5 mm BGA package.



---

## Power Management for Mobiles (PM)

---

### AT73C204

## Summary

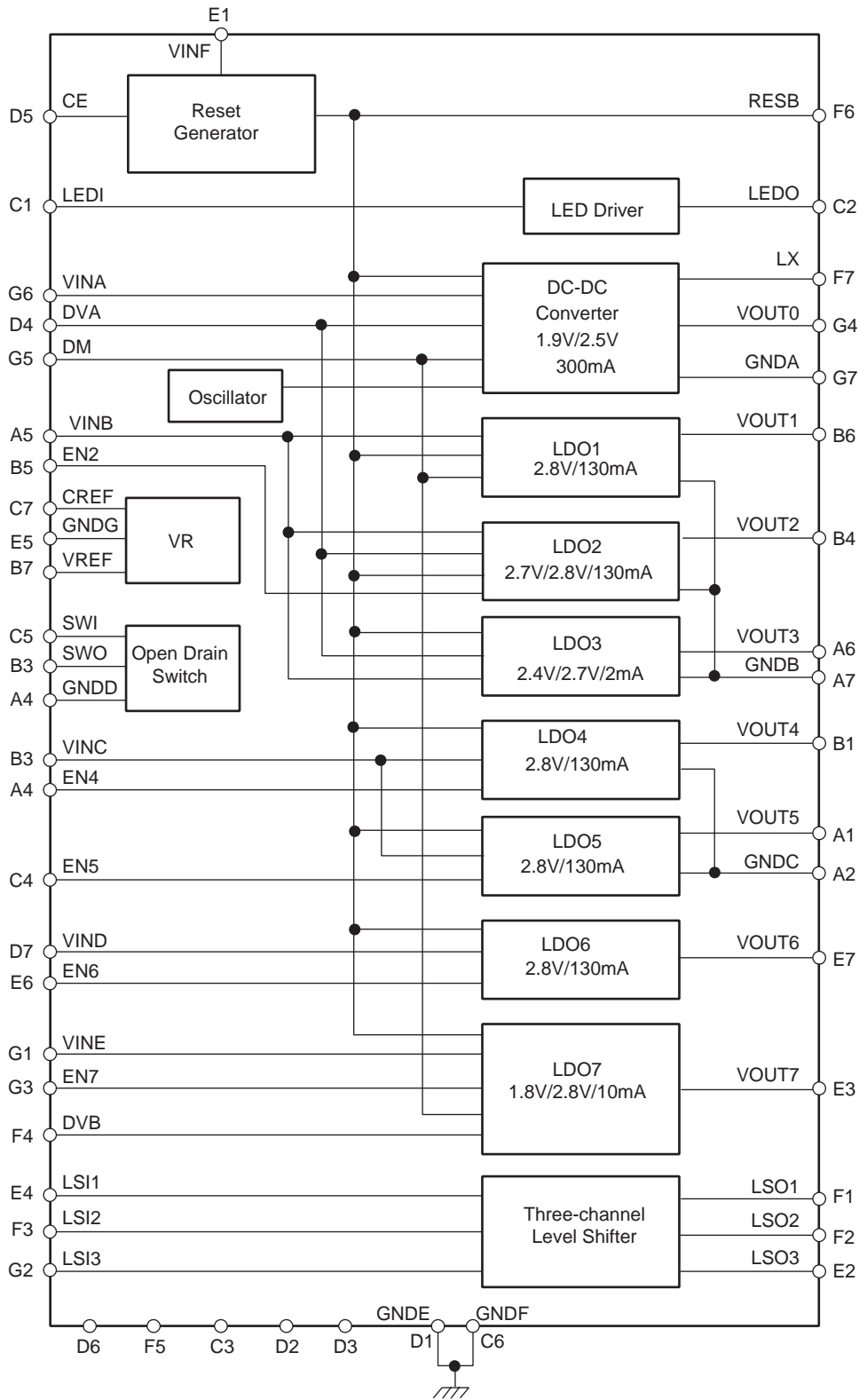
6014AS-PMGMT-12/03



Note: This is a summary document. A complete document is available on our Web site at [www.atmel.com](http://www.atmel.com).

# Functional Block Diagram

Figure 1. AT73C204 Functional Block Diagram





## Atmel Corporation

2325 Orchard Parkway  
San Jose, CA 95131, USA  
Tel: 1(408) 441-0311  
Fax: 1(408) 487-2600

## Regional Headquarters

### Europe

Atmel Sarl  
Route des Arsenaux 41  
Case Postale 80  
CH-1705 Fribourg  
Switzerland  
Tel: (41) 26-426-5555  
Fax: (41) 26-426-5500

### Asia

Room 1219  
Chinachem Golden Plaza  
77 Mody Road Tsimshatsui  
East Kowloon  
Hong Kong  
Tel: (852) 2721-9778  
Fax: (852) 2722-1369

### Japan

9F, Tonetsu Shinkawa Bldg.  
1-24-8 Shinkawa  
Chuo-ku, Tokyo 104-0033  
Japan  
Tel: (81) 3-3523-3551  
Fax: (81) 3-3523-7581

## Atmel Operations

### Memory

2325 Orchard Parkway  
San Jose, CA 95131, USA  
Tel: 1(408) 441-0311  
Fax: 1(408) 436-4314

### Microcontrollers

2325 Orchard Parkway  
San Jose, CA 95131, USA  
Tel: 1(408) 441-0311  
Fax: 1(408) 436-4314

La Chantrerie  
BP 70602  
44306 Nantes Cedex 3, France  
Tel: (33) 2-40-18-18-18  
Fax: (33) 2-40-18-19-60

### ASIC/ASSP/Smart Cards

Zone Industrielle  
13106 Rousset Cedex, France  
Tel: (33) 4-42-53-60-00  
Fax: (33) 4-42-53-60-01

1150 East Cheyenne Mtn. Blvd.  
Colorado Springs, CO 80906, USA  
Tel: 1(719) 576-3300  
Fax: 1(719) 540-1759

Scottish Enterprise Technology Park  
Maxwell Building  
East Kilbride G75 0QR, Scotland  
Tel: (44) 1355-803-000  
Fax: (44) 1355-242-743

### RF/Automotive

Theresienstrasse 2  
Postfach 3535  
74025 Heilbronn, Germany  
Tel: (49) 71-31-67-0  
Fax: (49) 71-31-67-2340

1150 East Cheyenne Mtn. Blvd.  
Colorado Springs, CO 80906, USA  
Tel: 1(719) 576-3300  
Fax: 1(719) 540-1759

### Biometrics/Imaging/Hi-Rel MPU/ High Speed Converters/RF Datacom

Avenue de Rochepleine  
BP 123  
38521 Saint-Egreve Cedex, France  
Tel: (33) 4-76-58-30-00  
Fax: (33) 4-76-58-34-80

---

## Literature Requests

[www.atmel.com/literature](http://www.atmel.com/literature)

**Disclaimer:** Atmel Corporation makes no warranty for the use of its products, other than those expressly contained in the Company's standard warranty which is detailed in Atmel's Terms and Conditions located on the Company's web site. The Company assumes no responsibility for any errors which may appear in this document, reserves the right to change devices or specifications detailed herein at any time without notice, and does not make any commitment to update the information contained herein. No licenses to patents or other intellectual property of Atmel are granted by the Company in connection with the sale of Atmel products, expressly or by implication. Atmel's products are not authorized for use as critical components in life support devices or systems.

© Atmel Corporation 2003. All rights reserved. Atmel® and combinations thereof are the registered trademarks of Atmel Corporation or its subsidiaries. Bluetooth® is a registered trademark owned by the Bluetooth SIG, Inc. Other terms and product names may be the trademarks of others.



Printed on recycled paper.

6014AS-PMGMT-12/03