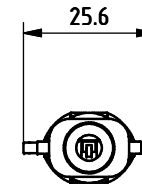
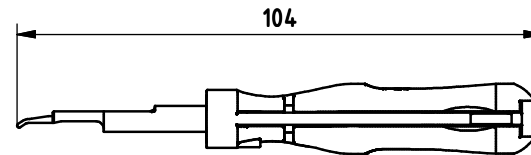
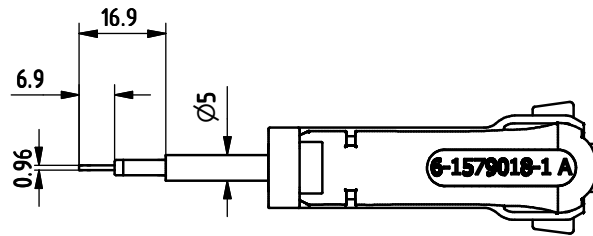
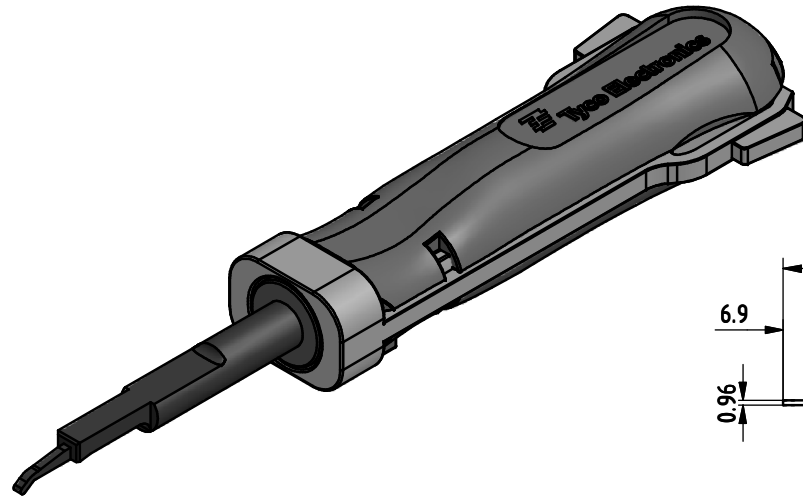


LOC	DIST	REVISIONS					
AI	00	P	LTR	DESCRIPTION	DATE	DWN	APVD
		A		INITIAL REVISION	17AUG09	SA	SA

(2:1)



**APPLICATION RANGE/ Anwendungsbereich:**

MCON TAB CONTACT 1.2: 1418760  
 MIXED TAB HOUSING 15 POS.: 1564461

THIS DRAWING IS A CONTROLLED DOCUMENT.		DWN	S. Samstag	17AUG09	Tyco Electronics Tyco Electronics AMP GmbH 64625 Bensheim (Germany)		
DIMENSIONS: mm		CHK	S. Samstag	12OCT09	NAME		
		APVD	S. Samstag	12OCT09	EXTRACTION TOOL		
TOLERANCES UNLESS OTHERWISE SPECIFIED:		PRODUCT SPEC		ENTRIEGELUNGSWERKZEUG			
0 PLC ±± 1 PLC ±±± 2 PLC ±±±± 3 PLC ±±±±± 4 PLC ±±±±±± ANGLES ±		APPLICATION SPEC		SIZE	CAGE CODE	DRAWING NO	RESTRICTED TO
MATERIAL		FINISH		Gewicht / Weight in Kg	A3	00779	© C-6-1579018-1
				CUSTOMER DRAWING		SCALE	SHEET
						1:1	1 OF 1
						REV A	