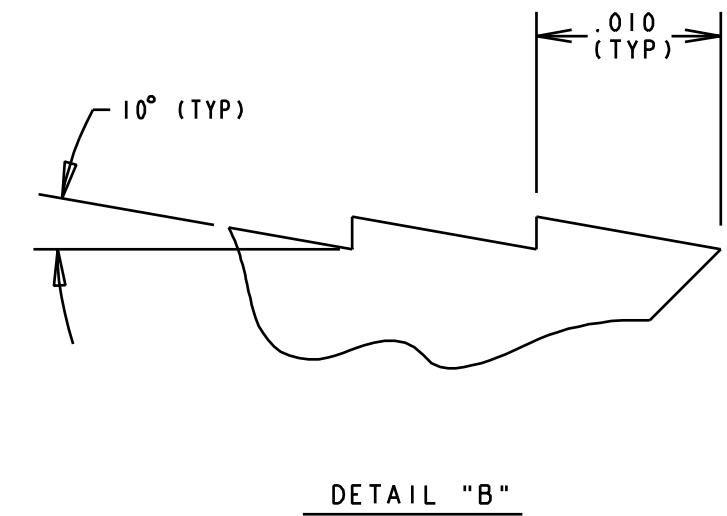
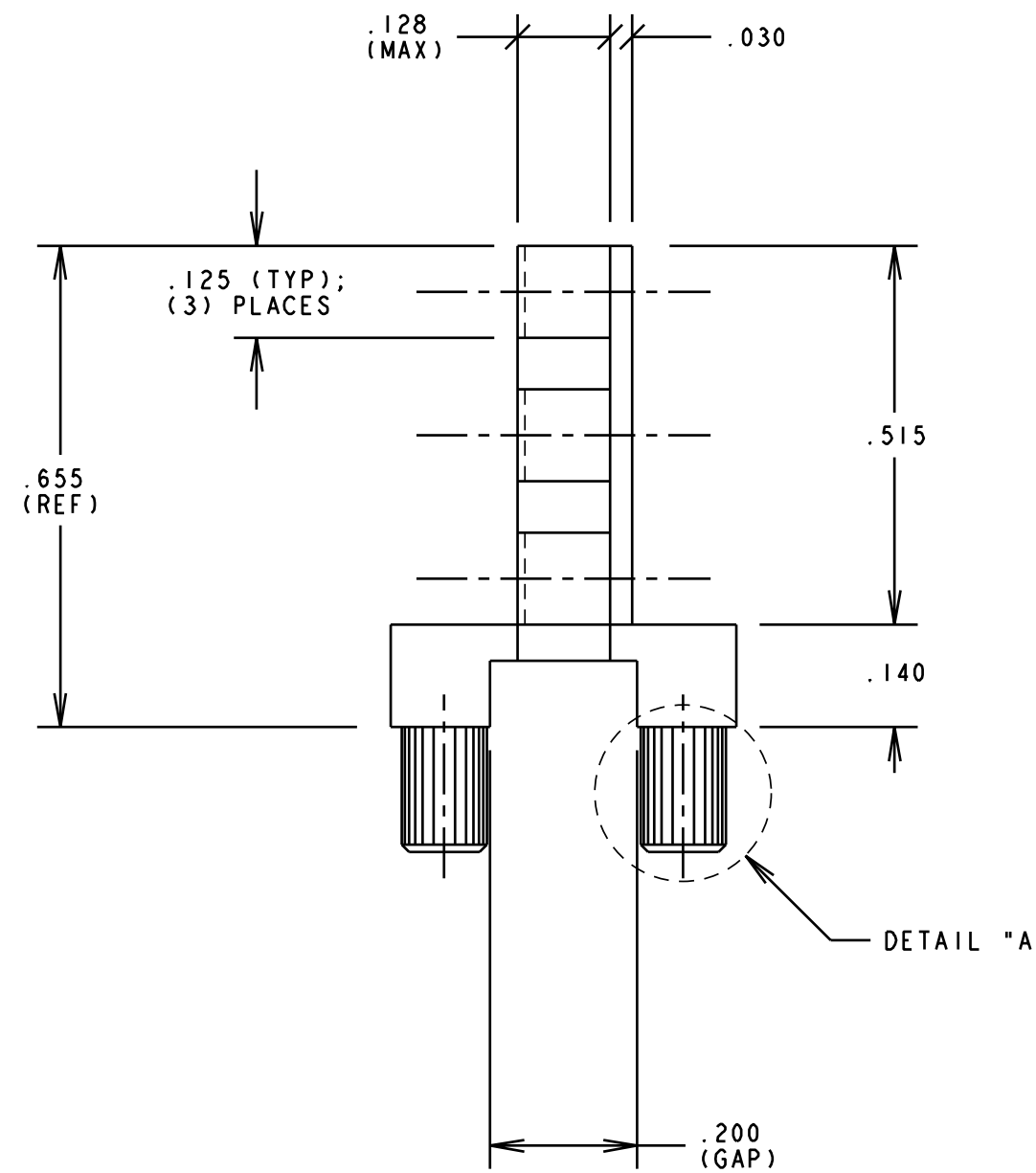
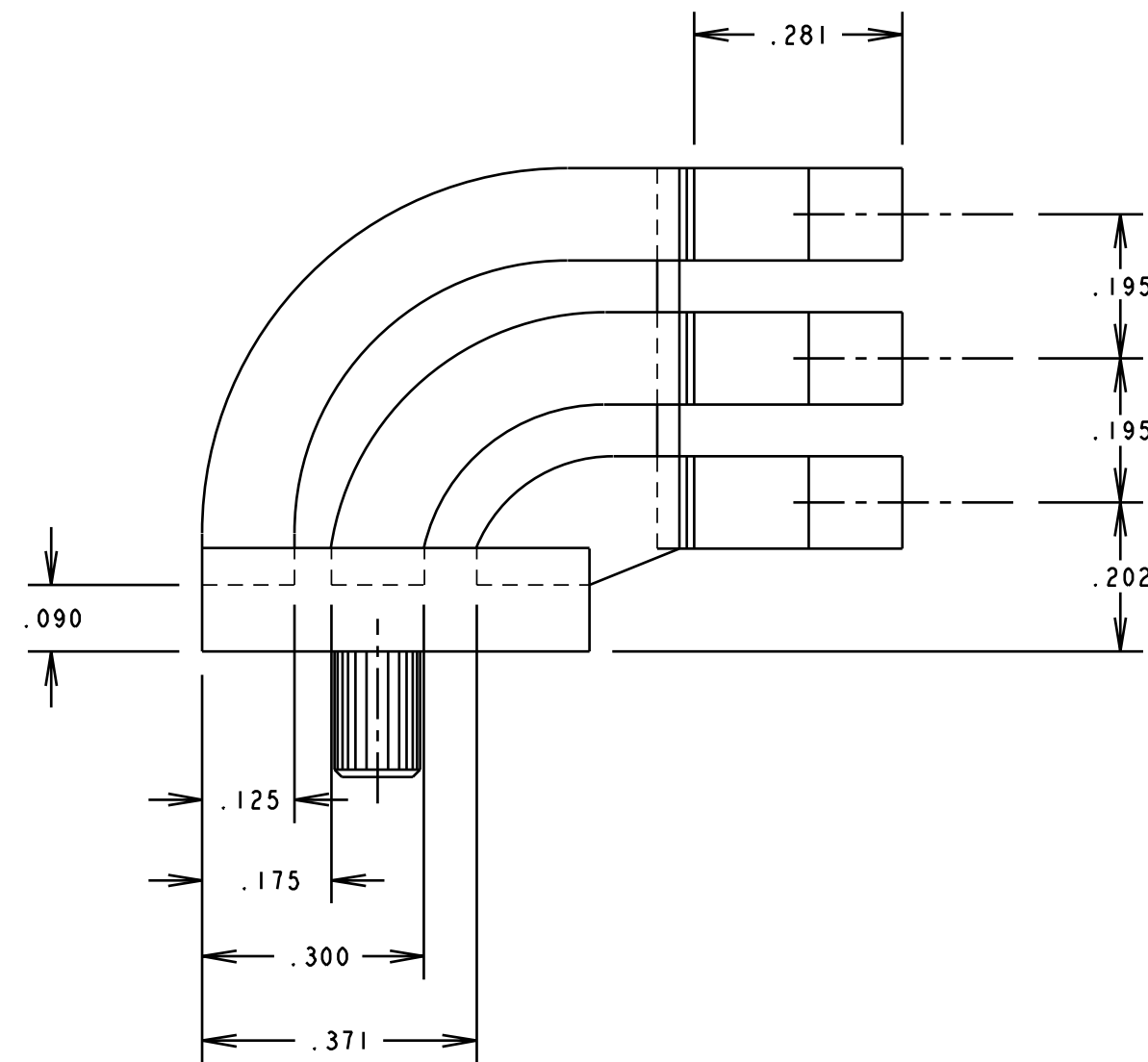
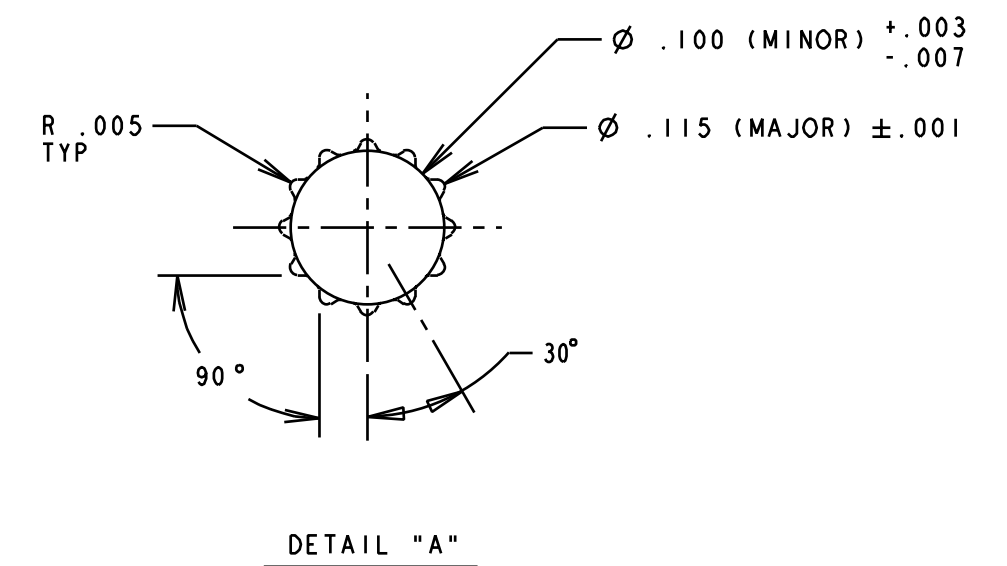
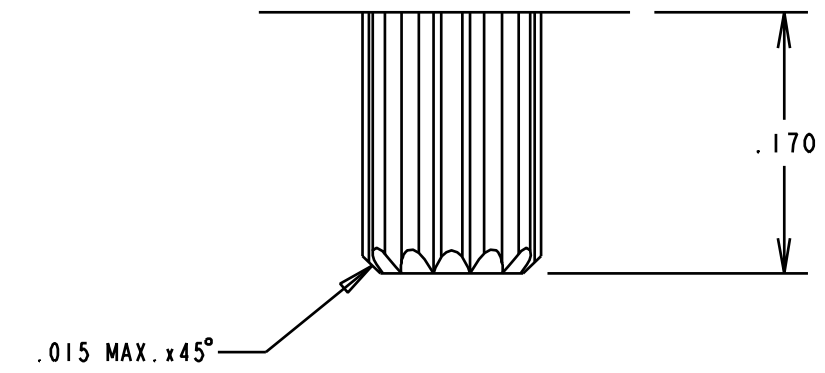
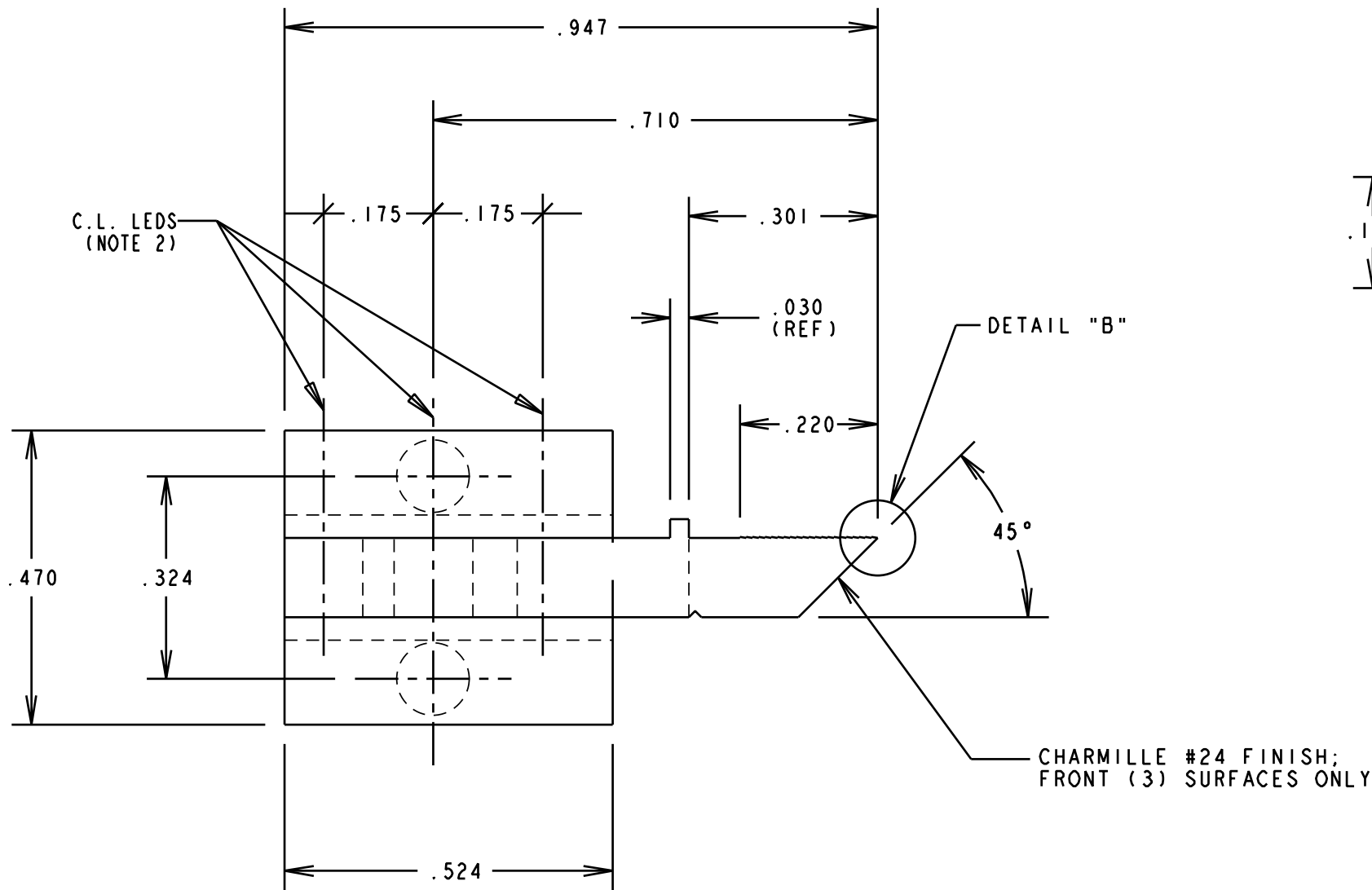
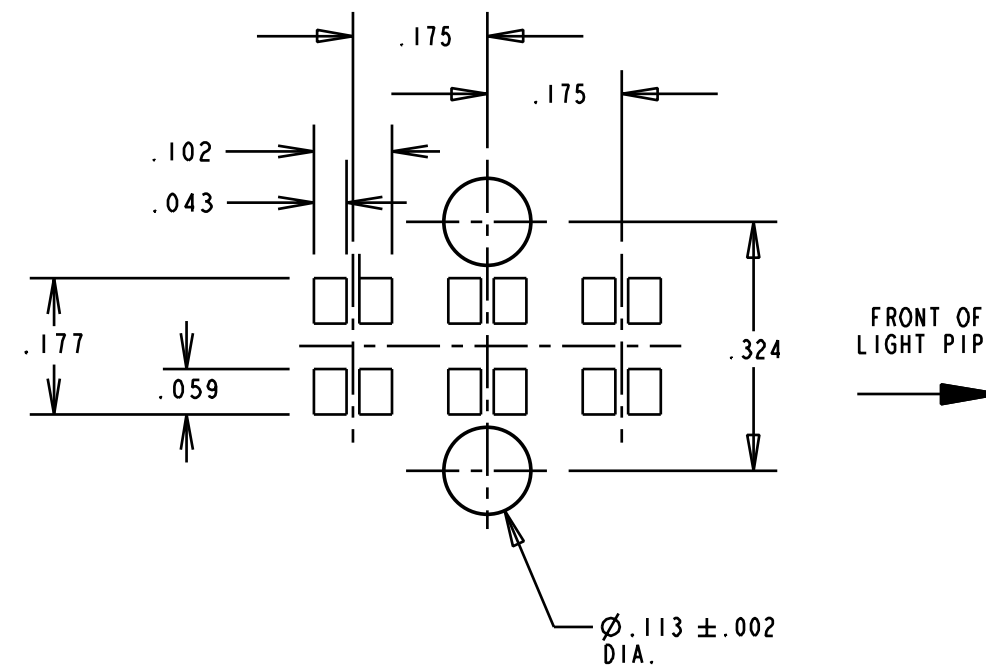


REV.	ECN NO.	REVISIONS	DRN.	CKD.	APP.	DATE
A		NEW RELEASE	MC		NS	11-23-92
B		INCREASE OUTER RADIUS TO .495.	MC		NS	11-23-92
C		.030 SOR. RIB WAS .050, .281 WAS .276, .090 WAS .095, & ADJUSTED ISO VIEW.	MC		NS	11-23-92
D		ADDED DETAIL "B", ADDED DIM .220 ADDED "(REF)" TO DIM .030, DIM .128 (MAX) WAS .126, AND DELETED ISO VIEW.	MC		MC	11-23-92
E		REVISED NOTE 3; ADDED SOLDER PAD LAYOUT FOR BI-COLOR LEDS; ADDED NOTE 4.	TC			

RECOMMENDED SOLDER PAD LAYOUT FOR BI-COLOR LEDS



NOTES:

1. COMPONENT TO BE MOLDED IN A WATER CLEAR TRANSMISSIVE POLYCARBONATE.
2. RECOMMENDED PLACEMENT OF LED.
3. COMPONENT DESIGNED TO BE USED WITH LED PART NO. 597-7701-207R/G BI-COLOR, OR 597-7721-207 Y/G BI-COLOR AND 597-3XXX-207 SINGLE COLOR LEDS.
4. DIALIGHT PART NUMBER: 515-1009

THIS DRAWING AND THE CONTENTS HEREIN ARE CONFIDENTIAL AND THE SOLE PROPERTY OF DIALIGHT. REPRODUCTION OF THIS DRAWING OR CONSTRUCTION OF ANY PARTS WITHIN THIS DRAWING ARE FORBIDDEN WITHOUT THE WRITTEN CONSENT OF DIALIGHT.		
SCALE 4:1	DRAWING NUMBER	REV
ALL DIM'S IN: INCHES	C-15749	E
TOLERANCES: UNLESS OTHERWISE SPECIFIED	TITLE TRILEVEL LIGHTPIPE	
FRACTIONS: ±1/64	MATERIAL	
DECIMALS (.XX): ±.01	Dialight	
DECIMALS (.XXX): ±.005	1501 ROUTE 34 SOUTH FARMINGDALE, NJ 07727	
ANGLES: ±1°	FSCM 83330	
FINISH:	SHEET OF	FAMILY TABLES: