

Gate Driver for SiC Junction Transistors with Signal Isolation

$V_{ISO,SIG}$	=	5000 V
P_{DRIVE}	=	27 W
f_{max}	=	350 kHz

Features

- Requires single 12 V voltage supply
- Pin Out compatible with MOSFET driver boards
- Multiple internal voltage level topology for low drive losses
- Point-of-load (POL), non-isolated design
- 5000 V Signal Isolation (up to 10 s)
- Capable of high gate currents with 27 W maximum power
- RoHS Compliant

Product Image



Section I: Introduction

The GA15IDDJT22-FR4 provides an optimized gate drive solution for 10 and 20 mΩ SiC Junction Transistors (SJT) and Co-Packs. The board utilizes DC/DC converters and FOD3182 signal opto-isolation as well as totem-pole gate driver ICs, providing fast switching and customizable continuous gate currents necessary for any SJT device. Its footprint and 12 V supply voltage make it a plug-in replacement for existing SiC MOSFET gate drive solutions.

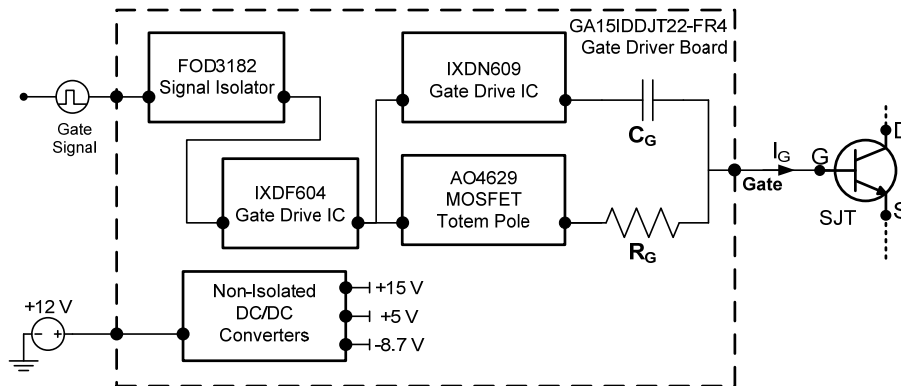


Figure 1: Simplified GA15IDDJT22-FR4 Gate Drive Board Block Diagram

Section II: Compatibility with SiC Junction Transistors

The GA15IDDJT22-FR4 has a pre-installed gate resistance (R_G) of 0.7 Ω on-board which may be modified by the user for safe operation of certain SJT parts. Please see the table below and Section VI for more information.

Table 1: GA15IDDJT22-FR4 – SJT Compatibility Information Table

SJT/Co-Pack Part Number	Compatible	Notes
GA03JT12-247	Yes	Driver GA03IDDJT30-FR4 Recommended
GA05JT12-247/263	Yes	Driver GA03IDDJT30-FR4 Recommended
GA06JT12-247	Yes	Driver GA03IDDJT30-FR4 Recommended
GA10JT12-247/263	Yes	Driver GA03IDDJT30-FR4 Recommended
GA20JT12-247/263	Yes	Driver GA03IDDJT30-FR4 Recommended
GA50JT12-247	Yes	
GA100JT12-227	Yes	Reduction of R_G values recommended (Section VI)
GA04JT17-247	Yes	Driver GA03IDDJT30-FR4 Recommended
GA16JT17-247	Yes	Driver GA03IDDJT30-FR4 Recommended
GA50JT17-247	Yes	
GA100JT17-227	Yes	Reduction of R_G values recommended (Section VI)
GA50SICP12-227	Yes	
GA100SICP12-227	Yes	Reduction of R_G values recommended (Section VI)

Section III: Operational Characteristics

Parameter	Symbol	Conditions	Value			Unit	Notes
			Min.	Typical	Max.		
Input Supply Voltage	V_{CC}	V_{CC} High, V_{CC} Low	10.8	12	13.2	V	
Input Signal Voltage, Off	$V_{sig, OFF}$		-5	0	0.8	V	
Input Signal Voltage, On	$V_{sig, ON}$		3.2	5.0	6.4	V	
Input Signal Current, On	$I_{sig, ON}$		20	36	50	mA	
Propagation Delay, Signal Turn On	$t_{d, ON}$			200	320	ns	
Propagation Delay, Signal Turn Off	$t_{d, OFF}$			230	325	ns	
Output Gate Current, Peak	$I_{G, ON}$			7	15	A	
Output Gate Current, Continuous	$I_{G, steady}$	$f < 350$ kHz		2.0	5	A	
Output Gate Voltage Rise Time	t_r	$C_{load} = 50$ nF		40	70	ns	
Output Gate Voltage Fall Time	t_f	$C_{load} = 50$ nF		25	60	ns	
Operating Frequency	f_{sw}	Dependant on user installed CG values			350	kHz	
Power Dissipation	P_{tot}	25.0 W (V_{GL}) + 2.0 W (V_{GH} + V_{EE})			27.0	W	
SJT Drain – Source Voltage	V_{DS}	On driven power transistor			1700	V	
Isolation Voltage, Signal	$V_{ISO-SIG}$				±5000	V	
Storage Temperature	T		-55		100	°C	
Product Weight				40		g	

Section IV: Pin Out Description

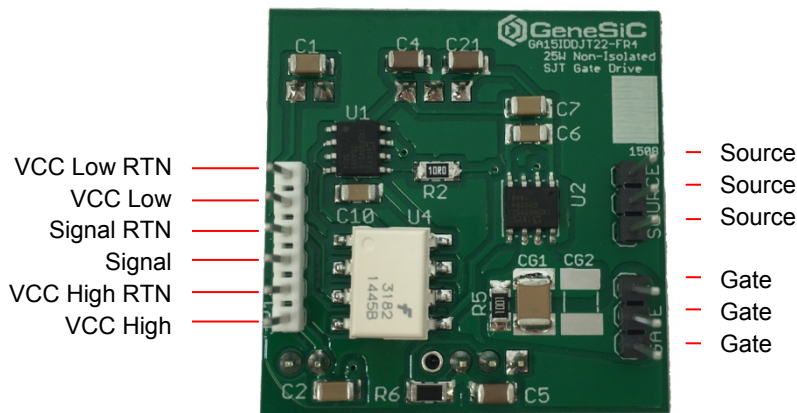


Figure 2: Gate Drive Board Top View

Table 2: GA15IDDJT22-FR4 Pin Out Connections

Header	Pin Label	Suggested Connection
JP1	VCC High	+ 12 V, > 30 W Supply
JP1	VCC High RTN	Analog Ground
JP1	Signal	Gate Drive Control Signal
JP1	Signal RTN	Analog Ground
JP1	VCC Low	+ 12 V, > 30 W Supply
JP1	VCC Low RTN	Analog Ground
Gate	Gate	SJT Gate Pin
Gate	Gate	SJT Gate Pin
Gate	Gate	SJT Gate Pin
Source	Source	SJT Source/GR Pin
Source	Source	SJT Source/GR Pin
Source	Source	SJT Source/GR Pin

Section V: SJT Gate Driving Theory of Operation

The SJT transistor is a current controlled transistor which requires a positive gate current for turn-on as well as to remain in on-state. An ideal gate current waveform for ultra-fast switching of the SJT, while maintaining low gate drive losses, is shown in Figure 3. This is similar to what the GA15IDDJT22-FR4 provides.

An SJT is rapidly switched on when the necessary gate charge, Q_G , for turn-on is supplied by a burst of high gate current, $I_{G,on}$, until the gate-source capacitance, C_{GS} , and gate-drain capacitance, C_{GD} , are fully charged.

$$Q_{on} = I_{G,on} * t_1$$

$$Q_{on} \geq Q_{gs} + Q_{gd}$$

The $I_{G,on}$ pulse should ideally terminate, when the drain voltage falls to its on-state value, in order to avoid unnecessary drive losses during the steady on-state. In practice, the rise time of the $I_{G,on}$ pulse is affected by the parasitic inductances, L_{par} in the device package and drive circuit. A voltage developed across the parasitic inductance in the source path, L_s , can de-bias the gate-source junction, when high drain currents begin to flow through the device. The applied gate voltage should be maintained high enough, above the $V_{GS,ON}$ level to counter these effects.

After the SJT is turned on, I_G may be lowered to $I_{G,steady}$ for reducing unnecessary gate drive power losses. The minimum $I_{G,steady}$ is determined by noting the DC current gain, h_{FE} , of the device from its datasheet. The desired $I_{G,steady}$ is determined by the peak device junction temperature T_j during operation, drain current I_D , DC current gain h_{FE} , and a 50 % safety margin to ensure operating the device in the saturation region with low on-state voltage drop by the equation:

$$I_{G,steady} \approx \frac{I_D}{h_{FE}(T, I_D)} * 1.5$$

For SJT turn -off, a high negative peak current, $-I_{G,off}$ at the start of the turn-off transition rapidly sweeps out charge from the gate. While satisfactory turn off can be achieved with $V_{GS} = 0$ V, a negative gate voltage V_{GS} may be used in order to speed up the turn-off transition. The GA15IDDJT22-FR4 provides a negative bias of -8.7 V during off state.

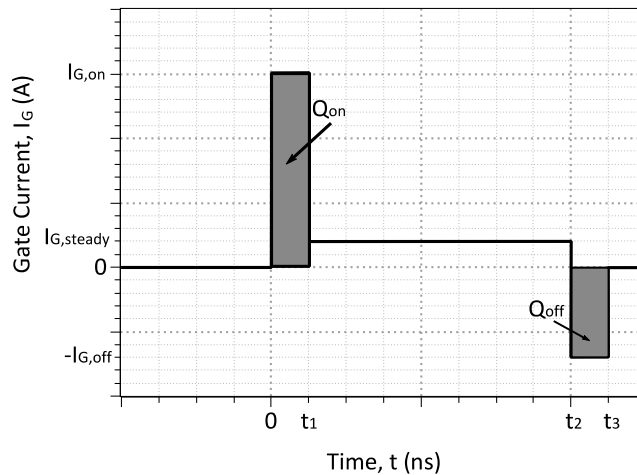


Figure 3: Idealized SJT Gate Current Waveform

Section VI: Gate Driver Implementation

The GA15IDDJT22-FR4 is a gate driver circuit which can be used to drive an SJT transistor by supplying the required gate drive current I_G in a low-power drive solution. This configuration features a gate capacitor C_G (CG1 and CG2 in parallel) which creates a brief current peak $I_{G,ON}$ during device turn-on and $I_{G,OFF}$ during turn-off for fast switching and a gate resistor R_G (RG1 and RG2 in parallel) to control the continuous gate current $I_{G,steady}$ required for SJT operation. This configuration is shown in the Figure 6 circuit diagram as well as in Figure 4 below with further details provided below. This section provides detail on selecting optimal C_G and R_G values based on the SJT, drain current, and temperature.

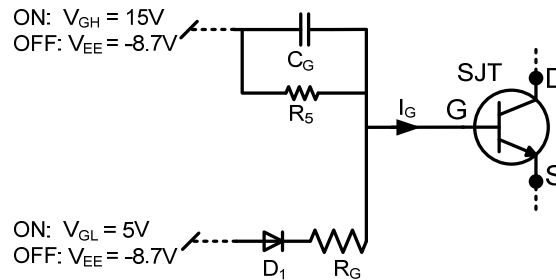


Figure 4: Primary gate drive circuit passive components with series gate resistance Schottky rectifier.

Table 3: Passive Output Component List

Symbol	Parameter	Values		Units
		Range	Default	
R_G	Gate Resistor, On Board	0 – 2.0	0.7	Ω
C_G	Gate Capacitor, On Board	5 – 50	22	nF
R_S	Charging Resistor	500 – 10k	1k	Ω
D_1	Schottky Diode of Gate Resistor	--	--	

A: Gate Resistor R_G Modification

The GA15IDDJT22-FR4 on board gate resistors R_G (RG_x) determine the continuous current $I_{G,steady}$ during steady on-state according to:

$$I_{G,steady} = \frac{V_{GL} - V_{GS,sat} - V_D}{R_G + 0.04\Omega}$$

$$I_{G,steady} = \frac{4.5V - V_{GS,sat}}{R_G + 0.04\Omega}$$

Where V_{GL} is the internal, low-level drive voltage (5 V), $V_{GS,sat}$ is the driven SJT saturated gate-source voltage obtained from the individual device datasheets, V_D is the Schottky diode voltage drop (approximately 0.5 V), and 0.04 Ω is added from internal GA15IDDJT22-FR4 drive components.

It is necessary for the user to reduce R_G from its pre-install value of 0.7 Ω for several SJTs for safe operation with the GA15IDDJT22-FR4 under high drain current conditions. The location of R_G on the circuit board is shown in Figure 5. The maximum allowable value of R_G for each device across all rated drain currents can be found in the Gate Drive section of each individual device datasheets. R_G may also be calculated from the following equation, where h_{FE} is the SJT DC current gain and $V_{GS,sat}$ is the gate-source saturation voltage. Both of these values may be taken from individual device datasheets.

$$R_{G,max} = \frac{(4.5V - V_{GS,sat}) * h_{FE}(T, I_D)}{I_D * 1.5} - 0.04\Omega$$

For some devices and drain currents it may be desired for the user to install a very low value of R_G or to short R_G ($R_G = 0 \Omega$) to increase the gate current output. This is acceptable, but may limit the duty cycle D during operation. Please see section VII:B for more information.



Figure 5: Location of R_G (RG1 and RG2 in parallel) on GA15IDDJT22-FR4 driver for substitution

B: Gate Capacitor C_G Modification

An external gate capacitor C_G connected directly to the device gate pin delivers the positive current peak $I_{G,ON}$ during device turn-on and the negative current peak $I_{G,OFF}$ during turn-off. A high value resistor R_5 in parallel with C_G sets the SJT gate pin to a defined potential $-V_{EE}$ (-8.7 V) during steady off-state.

At device turn-on, C_G is pulled to the GA15IDDJT22-FR4 internal voltage level V_{GH} (15 V) which produces a transient peak of gate voltage and current. This current peak rapidly charges the internal SJT C_{GS} and C_{GD} capacitances. A Schottky diode, D1, in series with R_G blocks any C_G induced current from draining out through R_G and ensures that all of the charge within C_G flows only into the device gate, allowing for an ultra-fast device turn-on. During steady on-state, a potential of $V_{GH} - V_{GS} = V_{GH} - 3$ V is across C_G . When the device is turned off, C_G is pulled to negative V_{EE} and V_{GS} is pulled to a transient peak of $V_{GS,turn-off} = V_{EE} - (V_{GH} - 3$ V), this induces the negative current peak $I_{G,off}$ out of the gate which discharges the SJT internal capacitances.

C: Voltage Supply Selection

The GA15IDDJT22-FR4 gate drive design features three internal supply voltages V_{GH} , V_{GL} , and V_{EE} (listed in Table 4) supplied through two DC/DC converters. During device turn-on, V_{GH} charges the capacitor C_G thereby delivering the narrow width, high current pulse $I_{G,ON}$ to the SJT gate and charges the SJT’s internal terminal capacitances C_{GD} and C_{GS} . For a given level of parasitic inductance in the gate circuit and SJT package, the rise time of $I_{G,ON}$ is controlled by the value of V_{GH} and C_G . During the steady on-state, V_{GL} in combination with the internal and external gate resistances provides a continuous gate current for the SJT to remain on. The V_{EE} supply controls the gate negative voltage during turn-off and steady off-state for faster switching and to avoid spurious turn-on which may be caused by external circuit noise. The power rating of the provided voltage supplies are adequate to meet the gate drive power requirements as determined by

$$P_{min,VGH} = \frac{1}{2} C_G V_{GH}^2 f_{sw}$$

$$P_{min,VEE} = \frac{1}{2} C_G V_{EE}^2 f_{sw}$$

$$P_{min,VGL} = V_{GL} I_{G,steady} D$$

Table 4: GA15IDDJT22-FR4 Gate Drive Voltage Supply Component List

Symbol	Parameter	Values	
		Range	Default
V_{GH}	Supply Voltage, Gate Capacitor	13 – 20	+ 15.0
V_{GL}	Supply Voltage, Gate Resistor	4.5 – 6.0	+ 5.0
V_{EE}	Negative Supply Voltage	-10 – GND	- 8.7

D: Signal Isolation

The gate supply signal is suggested to be isolated to twice the working V_{DS} on the SJT during off-state to provide adequate protection to circuitry external to the gate drive circuit. This may be done using opto or galvanic isolation techniques.

Section VII: Detailed Schematic and Bill of Materials

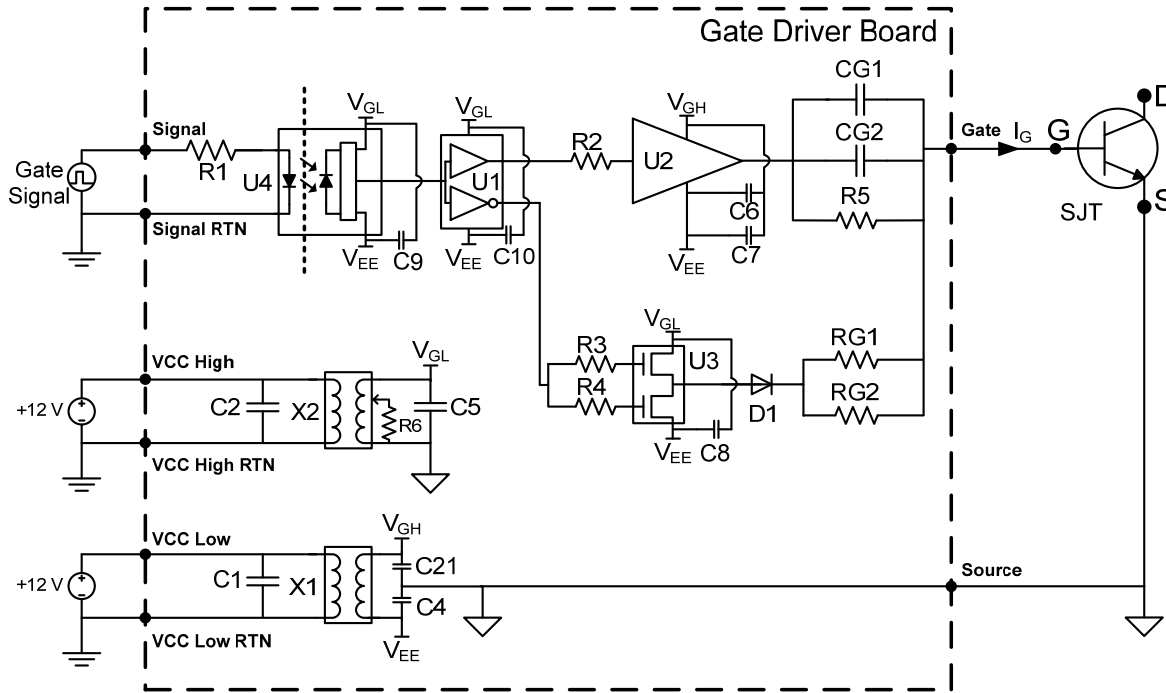
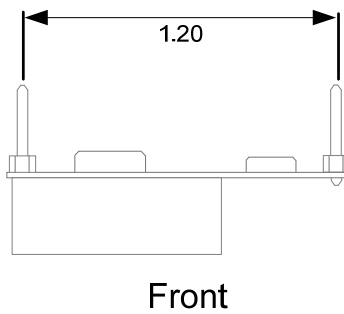
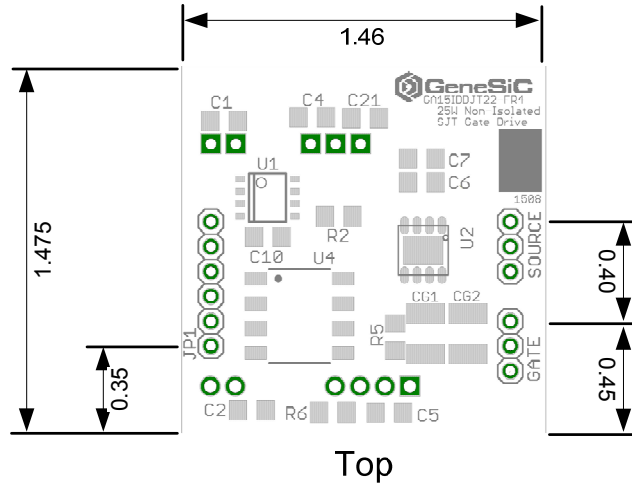


Figure 6: Gate Drive Board Detailed Block Diagram

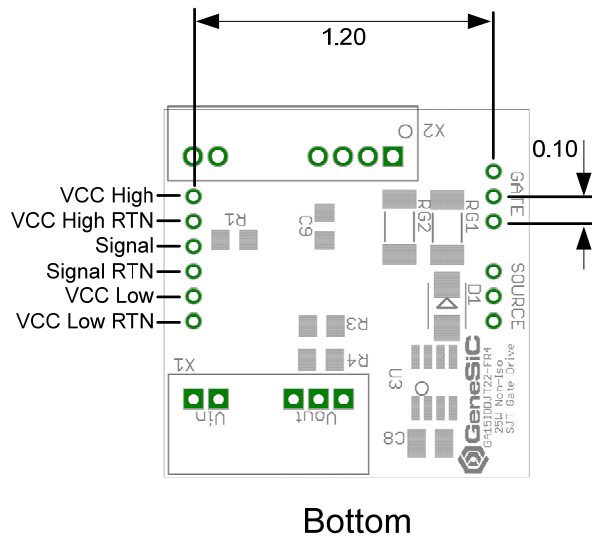
Table 5: Gate Drive Board Bill of Materials

# ITEM	Designator	Description	Package (Metric)	Manufacturer	Manufacturer Part Number	Quantity /Board
1	CAP CER 0.1UF 50V 10% X7R 1206	C6, C9, C10	3216	Murata	GRM319R71H104KA01D	3
2	CAP CER 22UF 25V 10% X5R 1206	C1, C2, C7	3216	Murata	GRM31CR61E226KE15L	3
3	CAP CER 47UF 25V 20% X5R 1206	C4, C5, C21	3216	TDK	C3216X5R1E476M160AC	3
4	CAP CER 100UF 16V 20% X5R 1210	C8	3225	Taiyo Yuden	EMK325ABJ107MM-T	1
5	RES 100 OHM 1/4W 1% 1206 SMD	R1	3216	Yageo	RC1206FR-07100RL	1
6	RES SMD 10 OHM 1% 1/4W 1206	R2	3216	Panasonic	ERJ-8ENF10R0V	1
7	RES SMD 7.5 OHM 5% 1/4W 1206	R3	3216	Yageo	RC1206JR-077R5L	1
8	RES SMD 3.3 OHM 5% 1/4W 1206	R4	3216	Yageo	RC1206JR-073R3L	1
9	RES SMD 1K OHM 1/4W 1% 1206	R5	3216	Yageo	RC1206FR-071KL	1
10	RES SMD 1.47K R 0.1% 1/4W 1206	R6	3216	Panasonic	ERA-8AEB1471V	1
11	CONN HDR BRKWAY .100 3POS VERT	GATE, SOURCE	3POS HEADER	TE Connectivity	5-146274-3	2
12	CONN HEADER VERT 6POS .100 TIN	JP1	6POS HEADER	TE Connectivity	3-644456-6	1
13	DIODE SCHOTTKY 40V 4A DO214AA	D1	SMB	Micro Commercial	SK44BL-TP	1
14	IC GATE DVR 4A DIFF 8-SOIC	U1	8-SOIC	IXYS	IXDF604SIA	1
15	IC GATE DVR 9A NON-INV 8-SOIC	U2	8-SOIC	IXYS	IXDN609SI	1
16	MOSFET N/P-CH 30V 6A/5.5A 8SOIC	U3	8-SOIC	Alpha & Omega	AO4629	1
17	OPTOISO 5KV GATE DRIVER 8SMT	U4	8-SMT	Fairchild	FOD3182S	1
18	DC/DC CONVERTER 15V -8.7V 2W	X1	7-SIP	CUI	VQA-S12-D15-SIP	1
19	DC-DC CONVRT 0.7525-5.5V 5A 5SIP	X2	7-SIP	Murata	OKX-T/5-D12N-C	1
20	CAP CER 0.022UF 200V X7R 1812	CG1	4532	Kemet	C1812C223K2RACTU	1
21	RES SMD 2.2 OHM 5% 2W 2512	RG1	6332	Bourns	CRM2512-JW-2R2ELF	1
22	RES SMD 1 OHM 5% 2W 2512	RG2	6332	Bourns	CRM2512-JW-1R0ELF	1

Section VIII: Mechanical Drawing



Note: Header Pins JP1, GATE, and SOURCE extend from "Top" face



All units inches

Figure 7: Gate Drive Board Mechanical Drawing

Revision History

Date	Revision	Comments	Supersedes
2015/10/13	1	Updated Electrical Characteristics	
2015/09/09	0	Initial release	

Published by
GeneSiC Semiconductor, Inc.
43670 Trade Center Place Suite 155
Dulles, VA 20166

GeneSiC Semiconductor, Inc. reserves right to make changes to the product specifications and data in this document without notice.

GeneSiC disclaims all and any warranty and liability arising out of use or application of any product. No license, express or implied to any intellectual property rights is granted by this document.

Unless otherwise expressly indicated, GeneSiC products are not designed, tested or authorized for use in life-saving, medical, aircraft navigation, communication, air traffic control and weapons systems, nor in applications where their failure may result in death, personal injury and/or property damage.