

CONNETTORE TIPO A (CON MOLLA DI RITEGNO ESTERNA)
CONNECTOR TYPE A (WITH EXTERNAL SPRING)

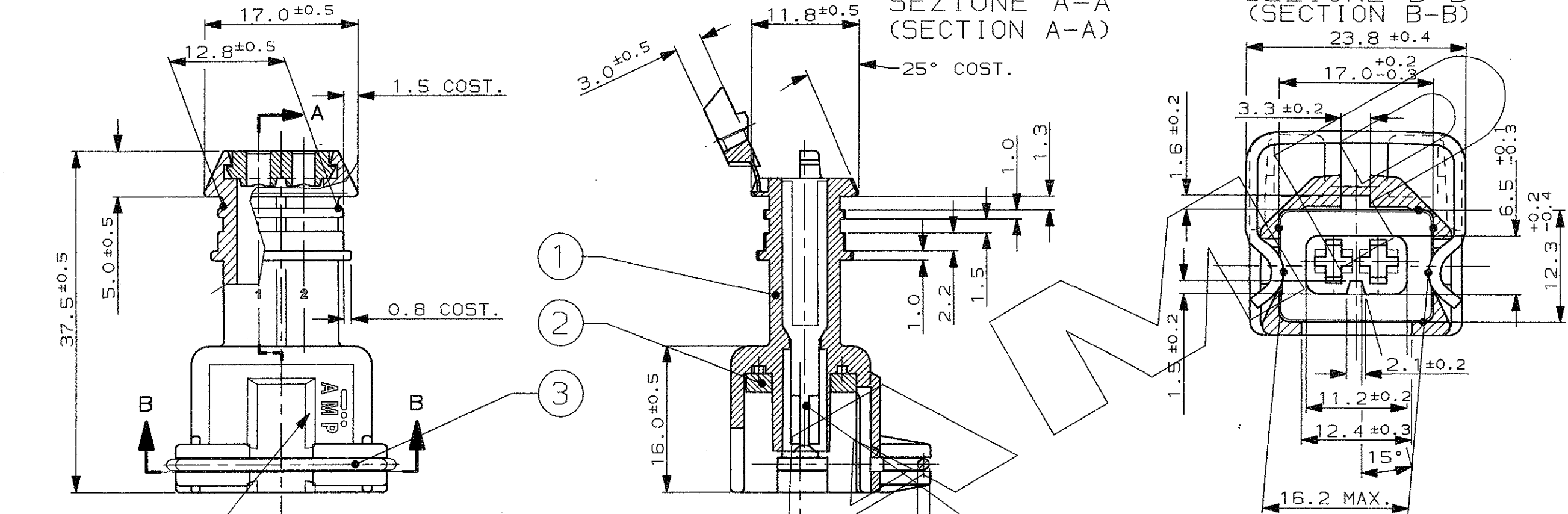
SCALA NON IMPEGNATIVA
(DO NOT SCALE)
DIMENSIONI IN mm
(DIMENSIONS IN)

METRIC

PROIEZIONE EUROPEA
(EUROPEAN PROJECTION)

SEZIONE A-A
(SECTION A-A)

SEZIONE B-B
(SECTION B-B)

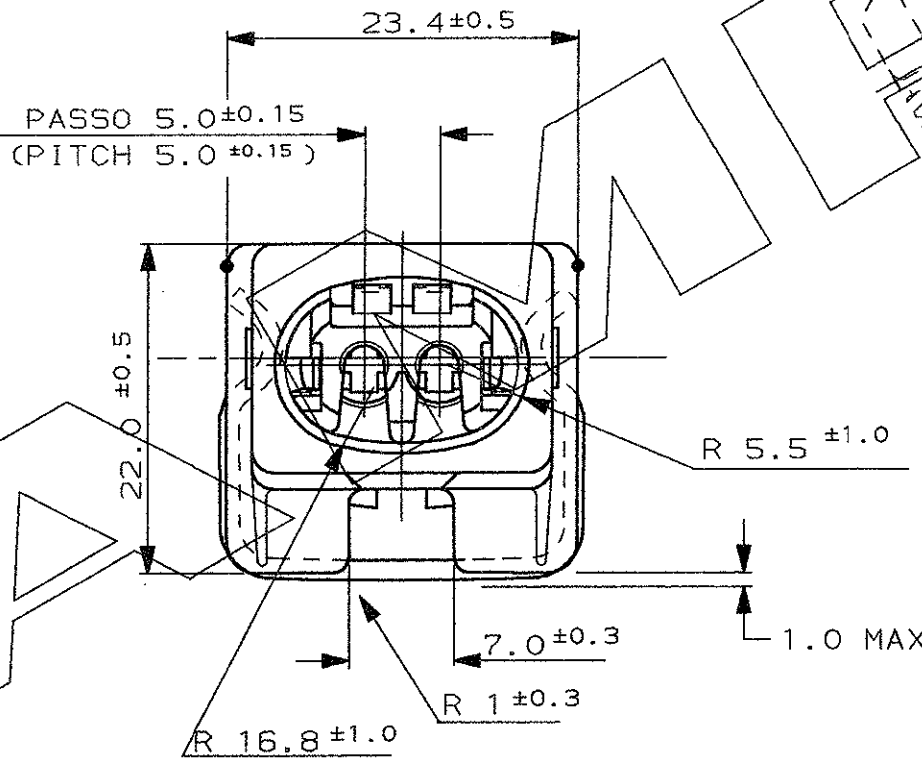


LOGO AMP
(AMP TRADE MARK)

ASSE CONNETTORE
(CONNECTOR CENTER LINE)

TIP. CAVITA' PER TERMINALI AMP JPT P/N 929939-...
OPPURE 929937-... E RELATIVI GOMMINI
AMP P/N 828904-1, 828904-2, 828905-1, 282536-1.
TAPPO CAVITA' P/N 828906-2

(TYP. CAV. FOR JPT CONT. P/N 929939-... A/O 929937-... AND REL.
SINGLE WIRE SEAL P/N 828904-1, 828904-2, 828905-1, 282536-1
CAVITY PLUG P/N 828906-2)



ASSE CAVITA'
(CAVITY CENTER LINE)

ROSSO (RED)	282762-8
GIALLO (YELLOW)	282762-7
MARRONE (BROWN)	282762-6
BLU (BLUE)	282762-5
VERDE (GREEN)	282762-4
NATURALE (CLEAR)	282762-3
GRIGIO (GREY)	282762-2
NERO (BLACK)	282762-1

3	//////	ACCIAIO INOX (STAINLESS STEEL)	MOLLA (SPRING)		
2	NATURALE (CLEAR)	GOMMA SILICONE (SILICONE RUBBER)	GUARNIZIONE (SEALING)		
1	//////	PA 6.6 C. VETRO (PA 6.6 G.F.)	BLOCCHETTO (HOUSING)		
COLORE (COLOR)	NUMERO (PART N°)	N° (ITEM)	FINITURA / COLORE (FINISH / COLOUR)	MATERIALE (MATERIAL)	DESCRIZIONE (DESCRIPTION)

CUSTOMER DWG. FOR REFERENCE ONLY DISEGNO PER CLIENTE SOLO PER RIFERIMENTO

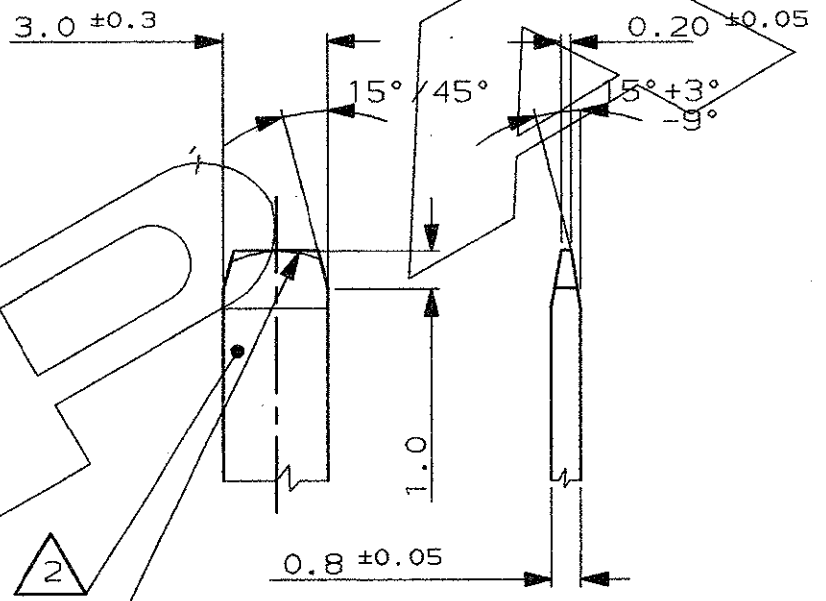
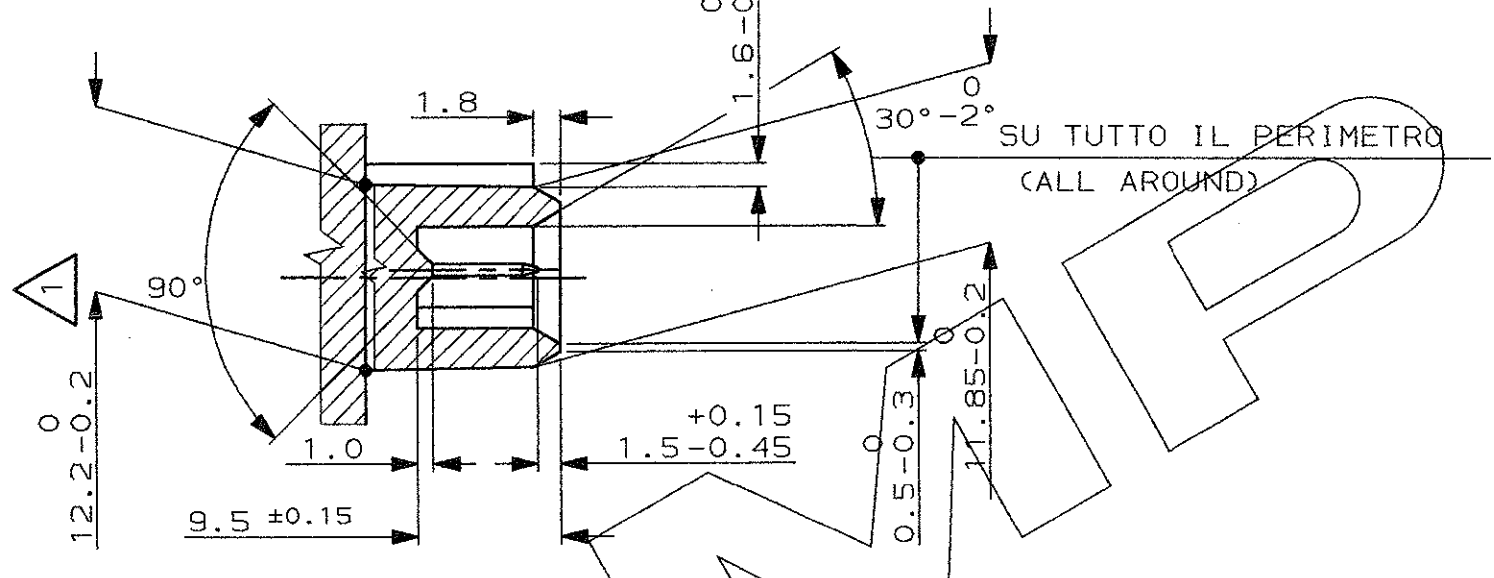
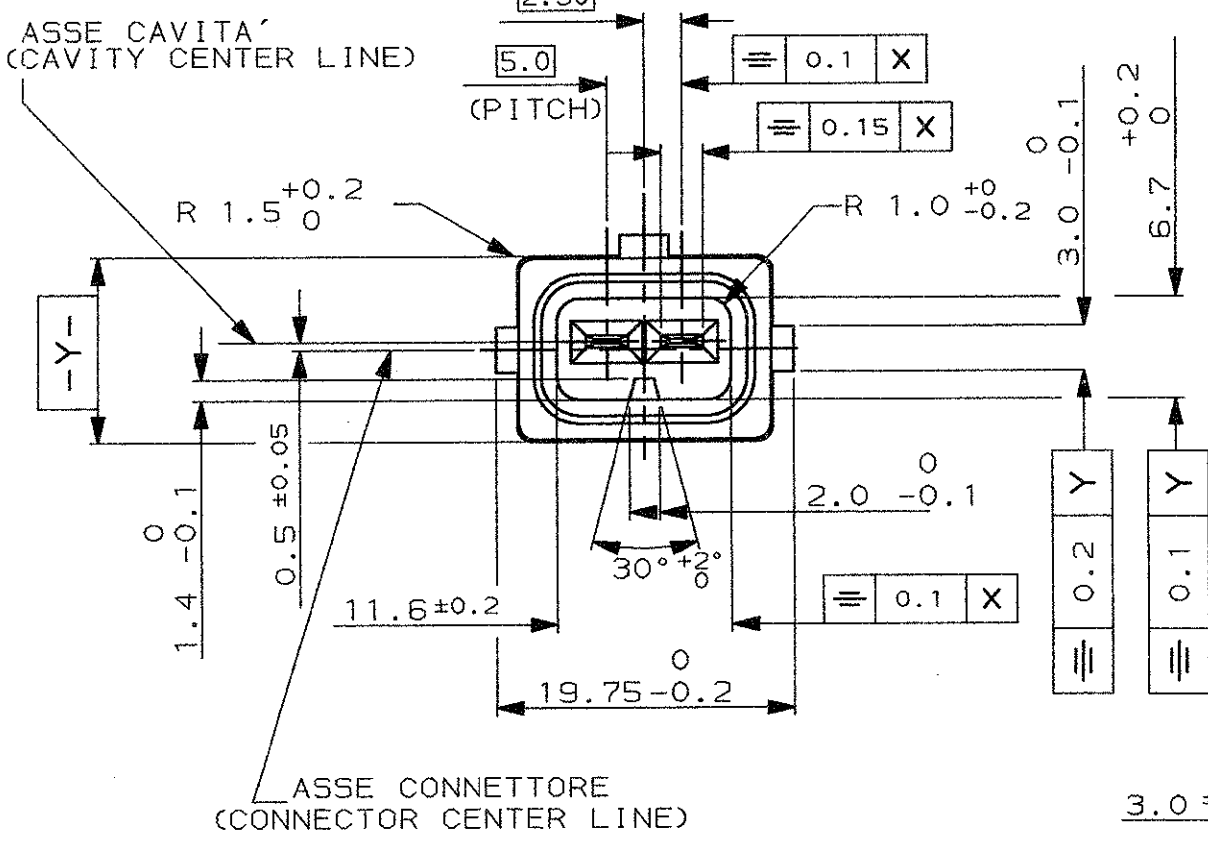
THIS DRAWING IS UNPUBLISHED - RELEASE FOR PUBLICATION 19
© COPYRIGHT 19 BY AMP INCORPORATED, HARRISBURG, PA. ALL INTERNATIONAL RIGHT RESERVED. AMP PRODUCTS MAY BE COVERED BY U.S. AND FOREIGN PATENT AND/OR PATENT PENDING
TOLLERANZE, SE NON DIVERSAMENTE SPECIFICATO (TOLERANCES, UNLESS OTHERWISE SPECIFIED) ± 0.3
ANGOLI (ANGLES) ± 2°
DIAM. ISOLANTE (INS. DIA. RANGE) 1.4-3.0 (RED. INS. CABLE)
RANGO FILO (WIRE RANGE) 0.5-2.5 mm²
SCALA (SCALE) ---

AMP AMP ITALIA S.p.A.
Corso F.lli Cervi, 15
COLLENO (TORINO)

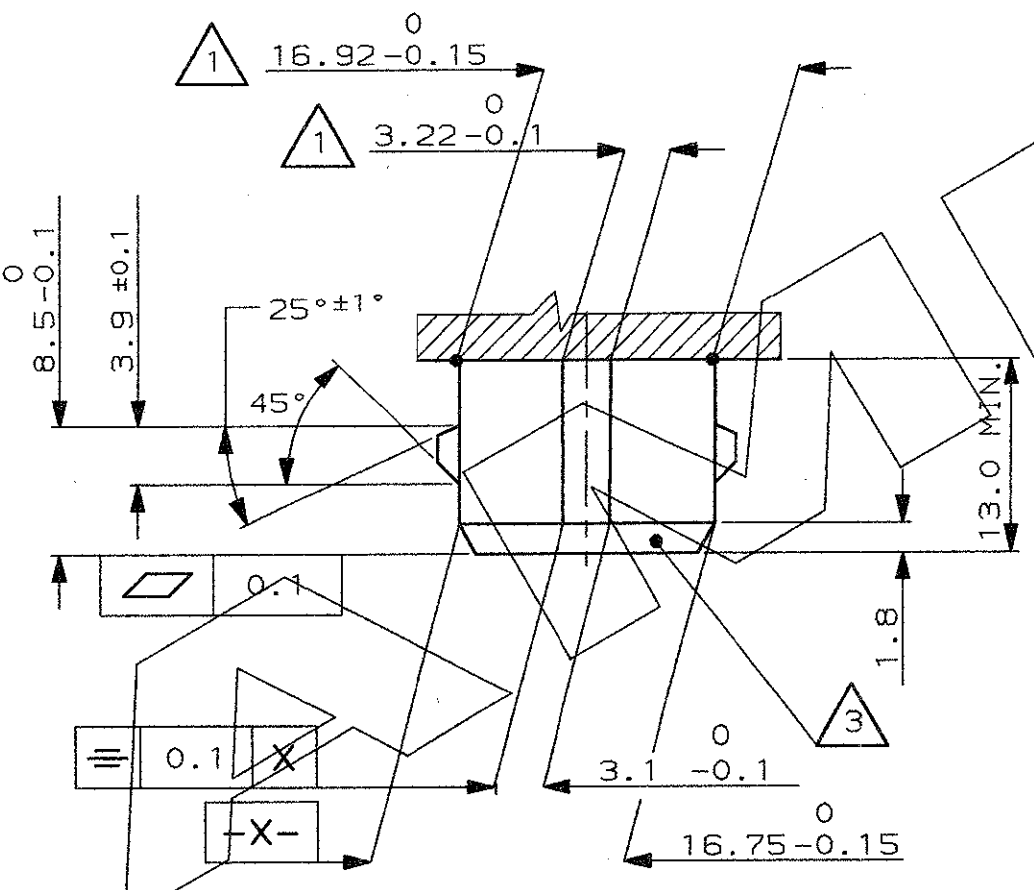
B1	AGGIORNATO CON ET00-0367-99	M.B.	25-11-1999	CONT. A. BAJ
B	AGGIORNATO E IN PRODUZIONE CON ET00-0075-96	A.B.	12-2-1996	CONT. 24 MAY 96 (CHK) C. TARTARI
A	PRIMA EMISSIONE CON ET00-0217-95	A.B.	15-9-1995	
REV.	REVISIONI (REVISION RECORD)	DIS.	DATA (DATE)	APP.

DESCRIZIONE (DESCRIPTION)	2 POS. SPLASH PROOF CONN. ASS'Y with SECONDARY LOCK
LOC. SIZE NUMERO (DWG NO)	I A3 C-282762
REV.	B1
FOGLIO (SHEET)	D1 2

DISTRIBUZIONE (PRINT DIST.)



- 1 QUOTE APPLICABILI PER SFORMATURA PEZZO (DRAFT PERMITTED TO FACILITATE REMOVAL OF PART FROM THE MOULD)
- 2 MATERIALE LINGUETTE: LEGA DI RAME STAGNATA, ES. OTTONE STAGNATO. (TAB CONTACT MATERIAL: TIN PLATED COPPER ALLOY, E.G. BRASS TIN PLATED)
- 3 MATERIALE BLOCCHETTO: TERMOPLASTICO CARICATO FIBRA VETRO. (HOUSING MATERIAL: THERMOPLASTIC, GLASS FIBER FILLED)



FINITURA / COLORE (FINISH / COLOUR)		MATERIALE (MATERIAL)		NUMERO (PART NUMBER)	
CUSTOMER DWG. FOR REFERENCE ONLY		DISEGNO PER CLIENTE SOLO PER RIFERIMENTO		19	
THIS DRAWING IS UNPUBLISHED		RELEASE FOR PUBLICATION		19	
© COPYRIGHT 19 BY AMP INCORPORATED, HARRISBURG, PA. ALL INTERNATIONAL RIGHT RESERVED. AMP PRODUCTS MAY BE COVERED BY U.S. AND FOREIGN PATENT AND/OR PATENT PENDING					
TOLLERANZE: SE NON DIVERSAMENTE SPECIFICATO (TOLERANCES, UNLESS OTHERWISE SPECIFIED)		DIAM. ISOLANTE (INS. DIA. RANGE)		RANGO FILO (WIRE RANGE)	
± 0.3		---		---	
ANGOLI (ANGLES)		---		---	
± 2°		---		---	
DIS. (DR.)		DESCRIZIONE (DESCRIPTION)			
CONT. (CHK)		2 POS. SPLASH PROOF CONN. ASS'Y with SECONDARY LOCK			
SEE SHEET 1 OF 2		LOC. SIZE (DWG NO)		REV. FOGLIO (SHEET)	
SEE SHEET 1 OF 2		I A3 C-282762		B1 2 OF 2	
REV. (REV. DATE)	REVISIONI (REVISION RECORD)	DIS. (DR)	DATA (DATE)	APP. (APP. DATE)	

DISTRIBUZIONE (PRINT/DIST.)