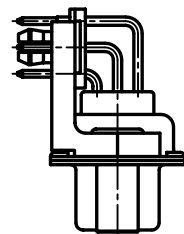
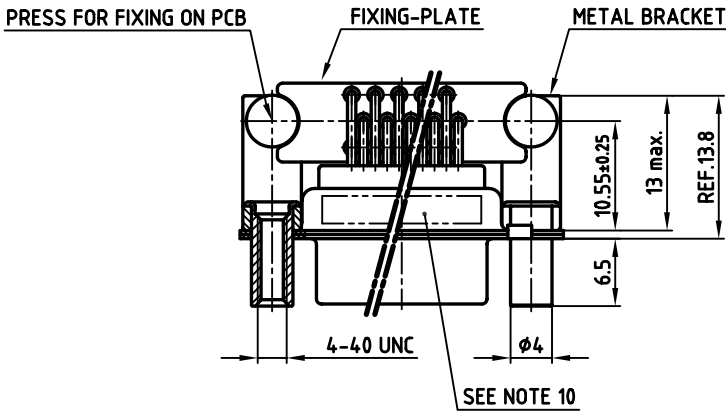
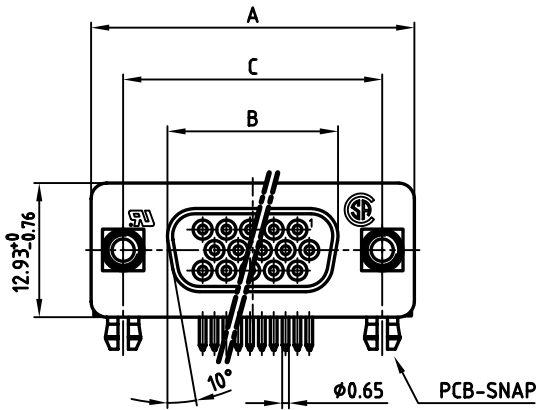
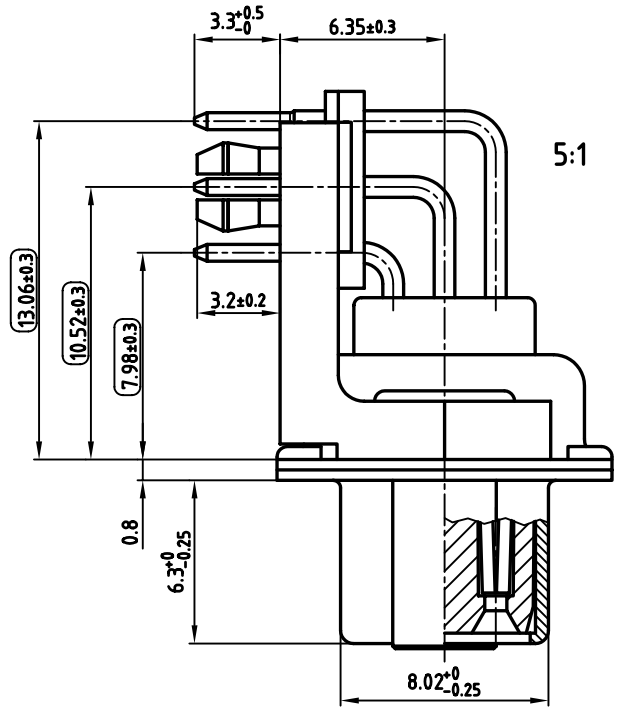


used for: D-SUB HD

No. of pos.	A -0.76	B -0.25	C	Part No.
15	31.19	16.46	25.00 ^{+0.12} / _{-0.13}	164A18259X
26	39.52	24.79	33.30 ^{+0.15} / _{-0.1}	164A18269X
44	53.42	38.50	47.04 ^{+0.13} / _{-0.13}	164A18279X
62	69.70	54.96	63.50 ^{+0.13} / _{-0.13}	164A18289X



NOTES:

- METALSHELLS: STEEL; min. 320 μ " TIN
- INSULATORS: PBT GF UL 94 V-0, BLACK
- CONTACTS: COPPER ALLOY
PLATING: 8 μ " HARD GOLD OVER min. 50 μ " NICKEL
- METAL BRACKET: DIE-CASTING; min. 320 μ " TIN over 80 μ " NICKEL
- THREADED LOCK: COPPER ALLOY; min. 200 μ " TIN over 80 μ " NICKEL
- PCB-SNAP: COPPER ALLOY; min. 200 μ " TIN over 80 μ " NICKEL
PCB-HOLE: $\phi 3.1 \pm 0.1$; PCB THICKNESS 1.6mm
- FIXING-PLATE: PBT GF UL 94 V-0, BLACK
- P.C.B. HOLE DRILLINGS SEE SHEET 2
- MAXIMUM TORQUE VALUE FOR THREAD: 6" LBS
- CONNECTOR IS PART MARKED: [PART-NO. CONEC ABC]
- = CHECK DIMENSION

Directive 2002/95/EC
RoHS-Compliant

APPROVAL # FREIGABE # DEBLOCAGE # AUTORIZACION # APPROVAL

CUSTOMER APPROVAL DATE:

NAME: TITLE:

COMPANY NAME:

APPROVAL # FREIGABE # DEBLOCAGE # AUTORIZACION # APPROVAL

THIS DRAWING MAY NOT BE COPIED OR REPRODUCED IN ANY WAY, AND MAY NOT BE PASSED ON TO A THIRD PARTY WITHOUT WRITTEN PERMISSION.
OWNERSHIP AND COPYRIGHT OF CONEC GmbH
DO NOT ALTER CAD DRAWING BY HAND

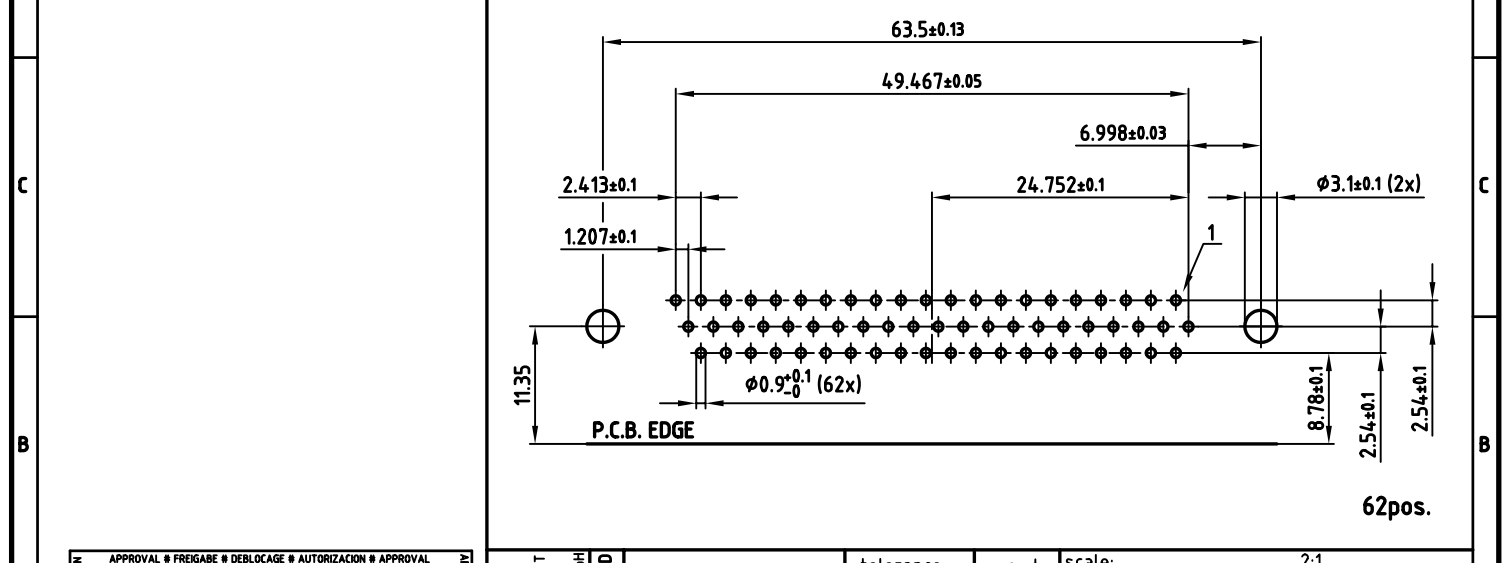
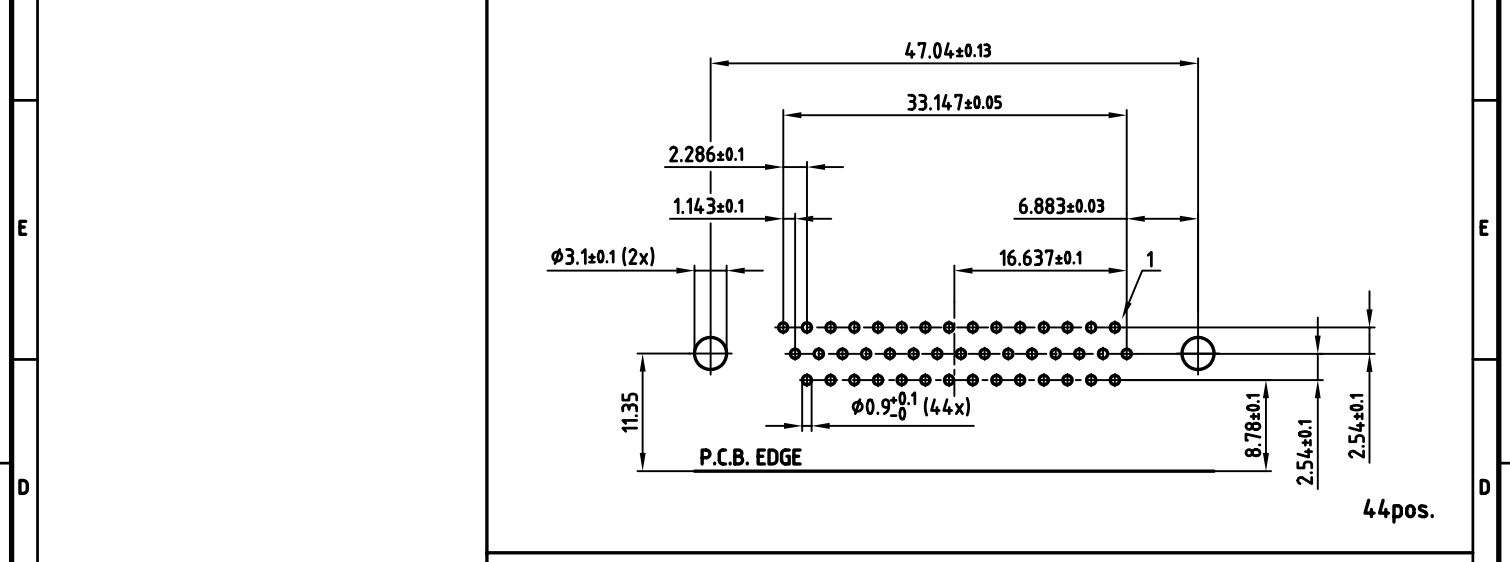
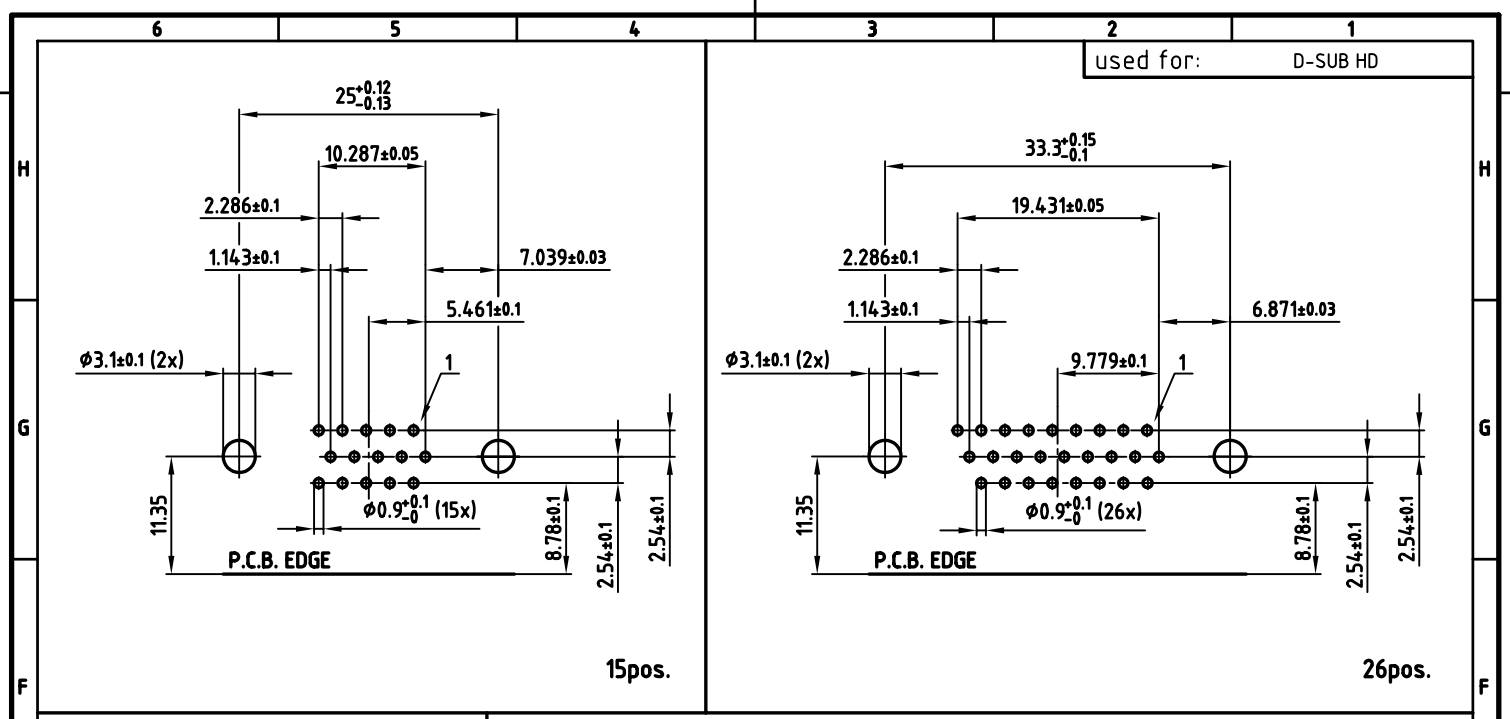
tolerance		dim. in mm	
2006	date	name	
drawn	14.03.	Lehmenkühler	
appd.	14.03.	Mickenbecker	
norm			
d-old			
a	Origin		
rev.	description	date	name

scale: 2:1 (5:1)
material: SEE NOTES

title: D-SUB HD FEMALE 90°
15-62pos. SOLDER PIN ANGLED 0.350inch
threaded lock, metal bracket, fixing-plate, clip

dwg no: AutoCAD 2006 DIN-A
16K2A658 3 sh:1/2

part no: SEE TABLE



APPROVAL # FREIGABE # DEBLOCAGE # AUTORIZACION # APPROVAL

CUSTOMER APPROVAL DATE:

NAME: TITLE:

COMPANY NAME:

APPROVAL # FREIGABE # DEBLOCAGE # AUTORIZACION # APPROVAL

THIS DRAWING MAY NOT BE COPIED OR REPRODUCED IN ANY WAY, AND MAY NOT BE PASSED ON TO A THIRD PARTY WITHOUT WRITTEN PERMISSION. OWNERSHIP AND COPYRIGHT OF CONEC Gmbh DO NOT ALTER CAD DRAWING BY HAND

tolerance		dim. in mm	
2006	date	name	
drawn	14.03.	Lehmenkühler	
appd.	14.03.	Mickenbecker	
norm			
d-old			
a	Origin		
rev.	description	date	name

scale: 2:1

material: SEE SHEET 1

title: P.C.B. HOLE DRILLINGS

D-SUB HD FEMALE 15-62pos. ANGLED 0.350inch threaded lock, metal bracket, fixing-plate, clip

dwg no: AutoCAD 2006 DIN-A

16K2A658 3 sh:2/2

part no: SEE SHEET 1