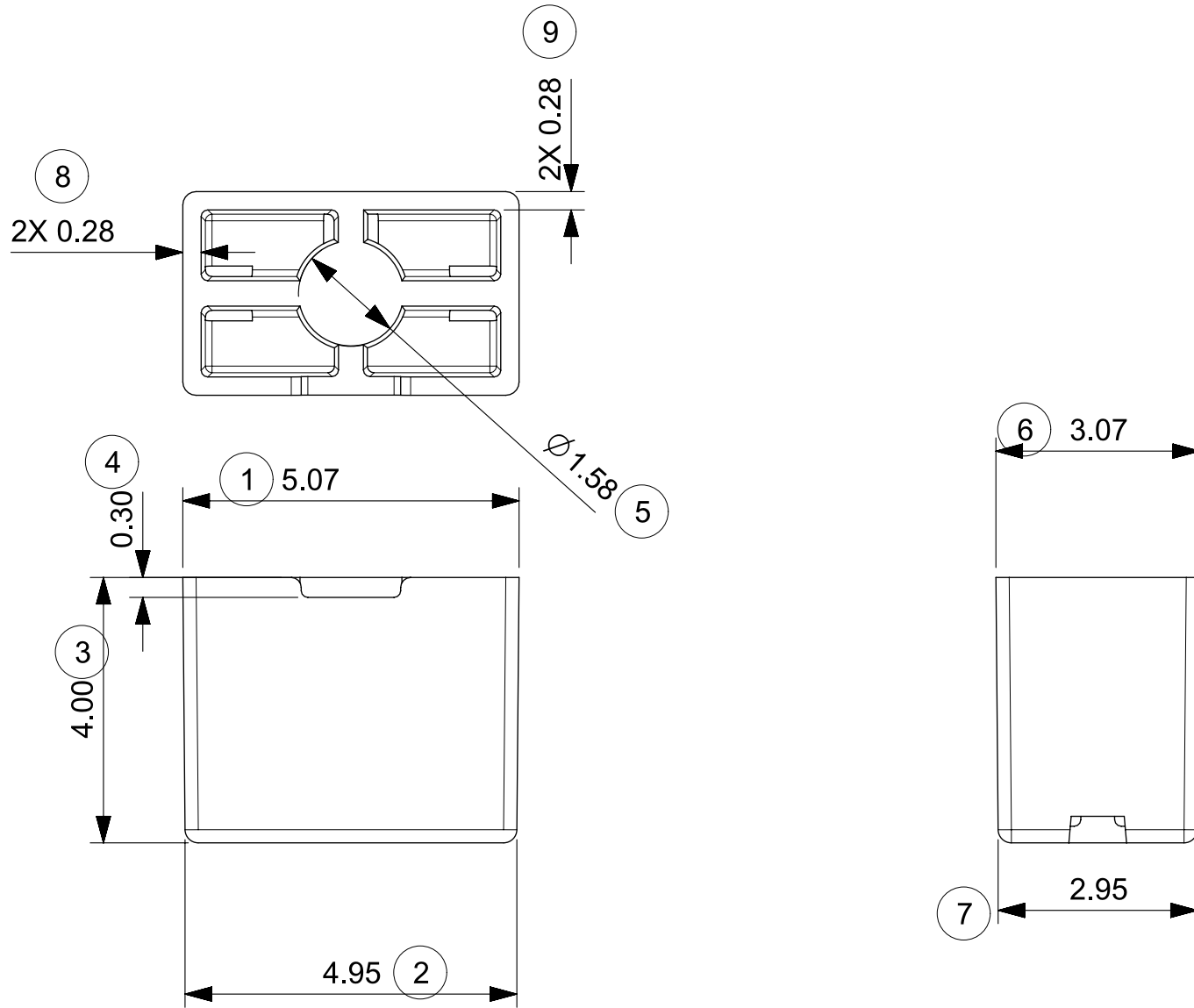
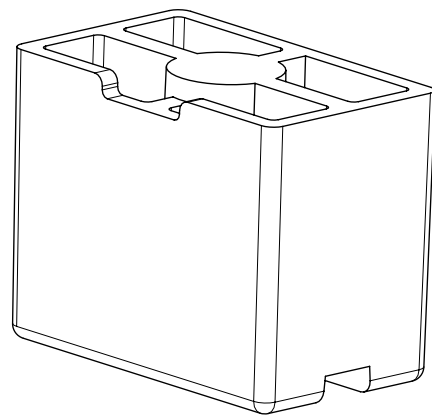


MOLEX					CUSTOMER			DRAWING LOCATION	CHANGE DESCRIPTION	AFFECTED DEPT
DRAWING NO.	REV	ECN NO.	DATA	P/N	P/N	3D REV	2D REV			
SD-146235-001	A	103508	2016/04/05	1462350001				NEW RELEASE	AQP/ME/RF/PE/POP	
SD-146235-001	A1	104141	2016/04/11	1462350001				UPDATE FORMAT	AQP/ME/RF/PE/POP	



NOTE:  
 1. MATERIAL :LCP-LDS, VECTRA E840ILDS, 40% MINERAL FILLED LASER DIRECT STRUCTURING GRADE,UL94V-0;  
 2.GENERAL TOLERANCE :+/-0.05MM  
 3.PRODUCT COMPLANT TO ROHS DIERTIVE 2002/95/EC AND ELV DIRECTIVE2000/53/EC

THIS DRAWING CONTAINS INFORMATION THAT IS PROPRIETARY TO MOLEX INCORPORATED AND SHOULD NOT BE USED WITHOUT WRITTEN PERMISSION											
QUALITY SYMBOLS	EC DESCRIPTION	2016/04/11 2016/04/11 2016/04/11	GENERAL TOLERANCES (UNLESS SPECIFIED)		DIMENSION UNITS	SCALE					
			ANGULAR TOL $\pm 0.5^\circ$		mm	10:1					
$\nabla_A = 0$	EC NO: 104141 DRWN: TZHOU07 CHK'D: Jack Shi APPR: Chris Yu	EC NO: 104141 DRWN: TZHOU07 CHK'D: Jack Shi APPR: Chris Yu	4 PLACES $\pm 0.00000$	DRAFT WHERE APPLICABLE MUST REMAIN WITHIN DIMENSIONS	DRWN BY	DATE	HOUSING FOR HELIX SMT ON GROND ANTENNA				
$\nabla_E = 0$			3 PLACES $\pm 0.00000$		TZHOU07	2016/04/11					
$\nabla_F = 0$			2 PLACES $\pm 0.0000$	CHK'D BY	DATE	PRODUCT CUSTOMER DRAWING					
$\blacktriangledown = 0$			1 PLACE $\pm 0.00$	Jack Shi	2016/04/11						
$\nabla_C = 0$			0 PLACES $\pm 0.00$	APPR BY	DATE	SERIES: 146235 MATERIAL NUMBER: 1462350001 CUSTOMER: GENERAL MARKET					
$\boxtimes = 0$			DRAFT WHERE APPLICABLE MUST REMAIN WITHIN DIMENSIONS		Chris Yu						2016/04/11
$\blacksquare = 0$	DRAFT WHERE APPLICABLE MUST REMAIN WITHIN DIMENSIONS		DRAWING SIZE	THIRD ANGLE PROJECTION	DOCUMENT NUMBER: SD-146235-001 DOC TYPE: PSD DOC PART: 000 SHEET NUMBER: 1 OF 3						
$\nabla = 0$	DRAFT WHERE APPLICABLE MUST REMAIN WITHIN DIMENSIONS		A3								

RELEASE STATUS	RELEASE DATE
----------------	--------------

9 8 7 6 5 4 3 2 1

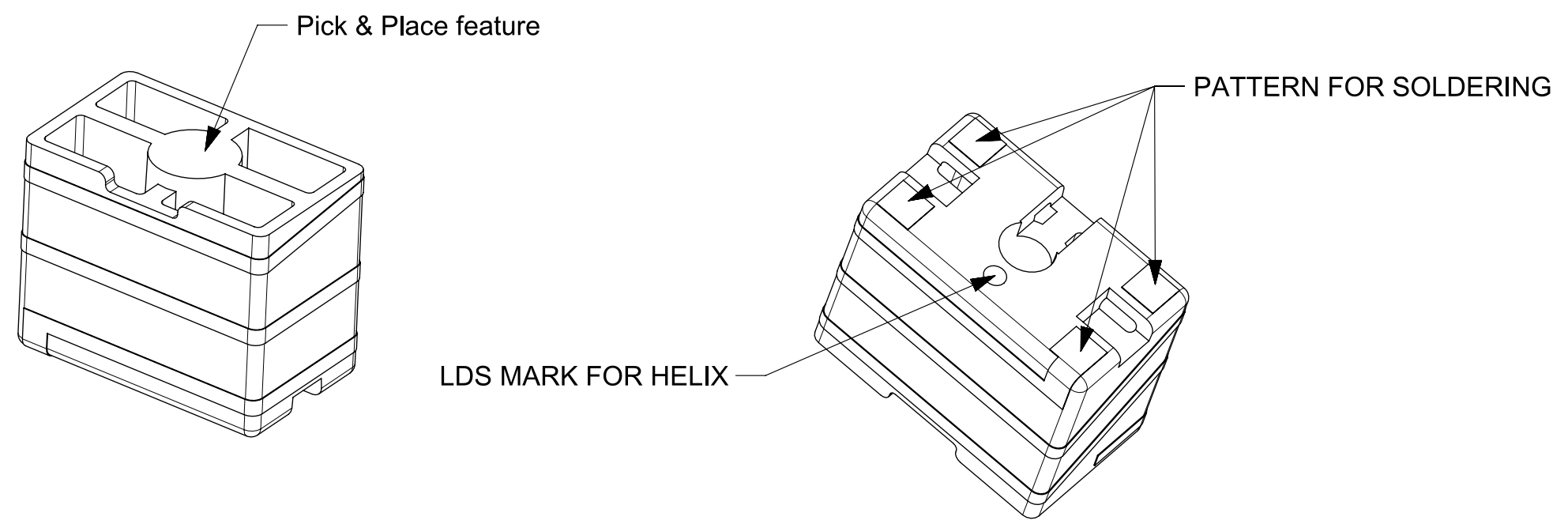
E

D

C

B

A



**Notes:**

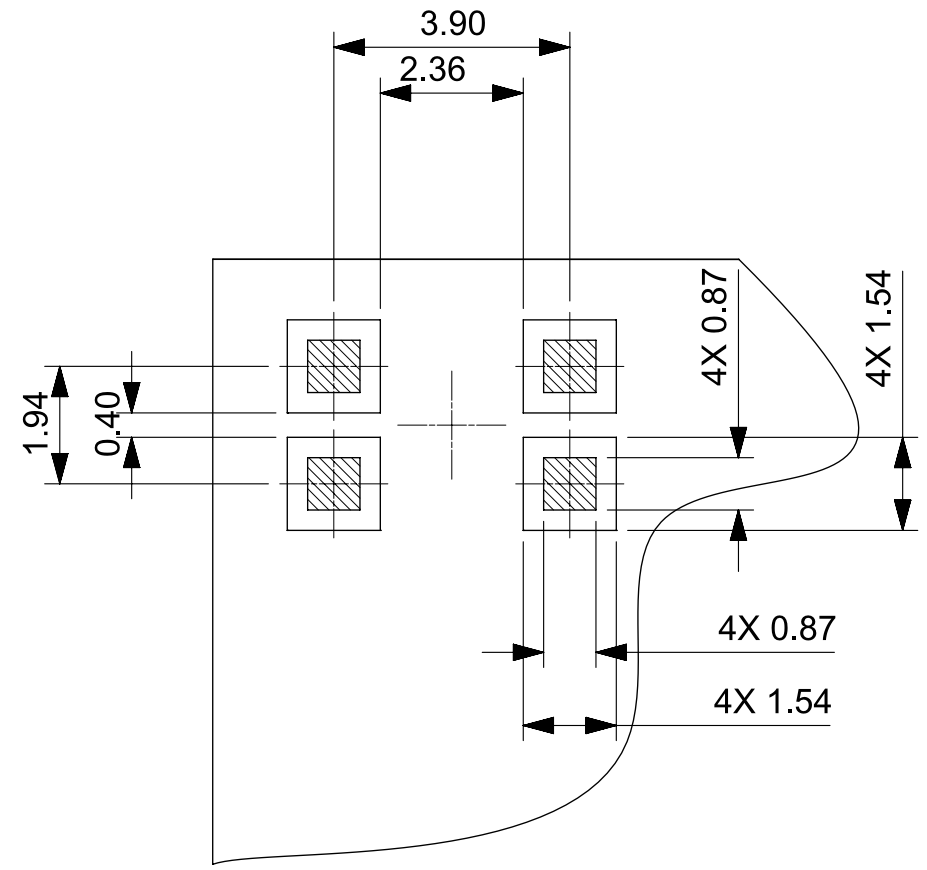
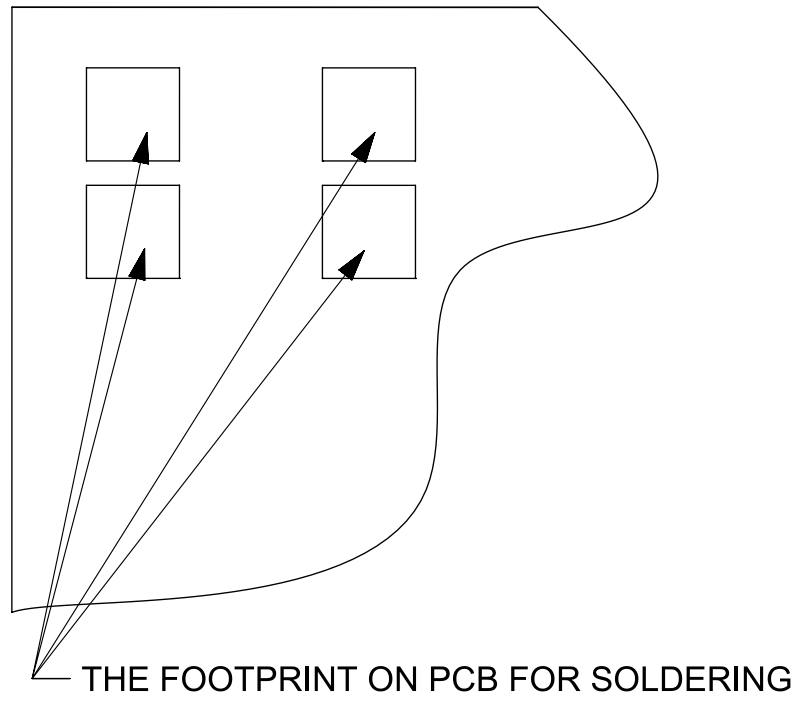
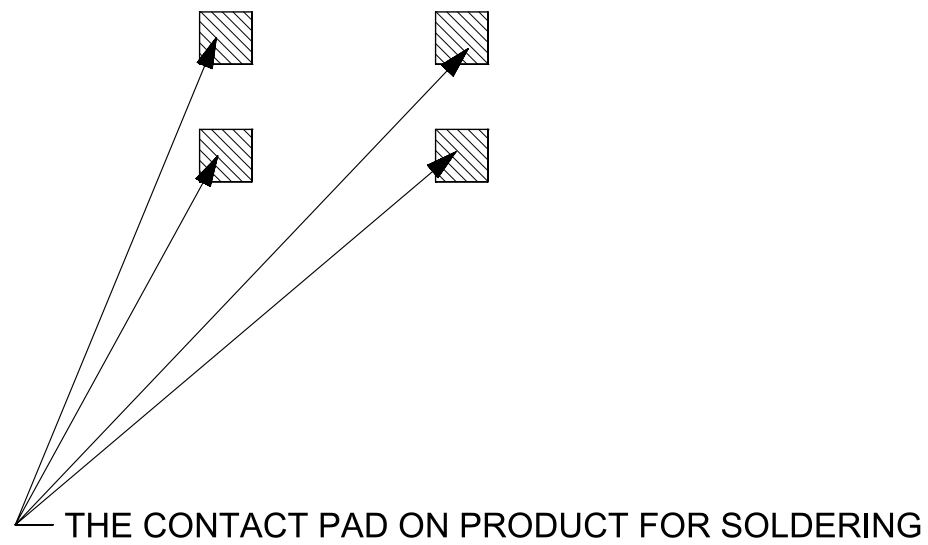
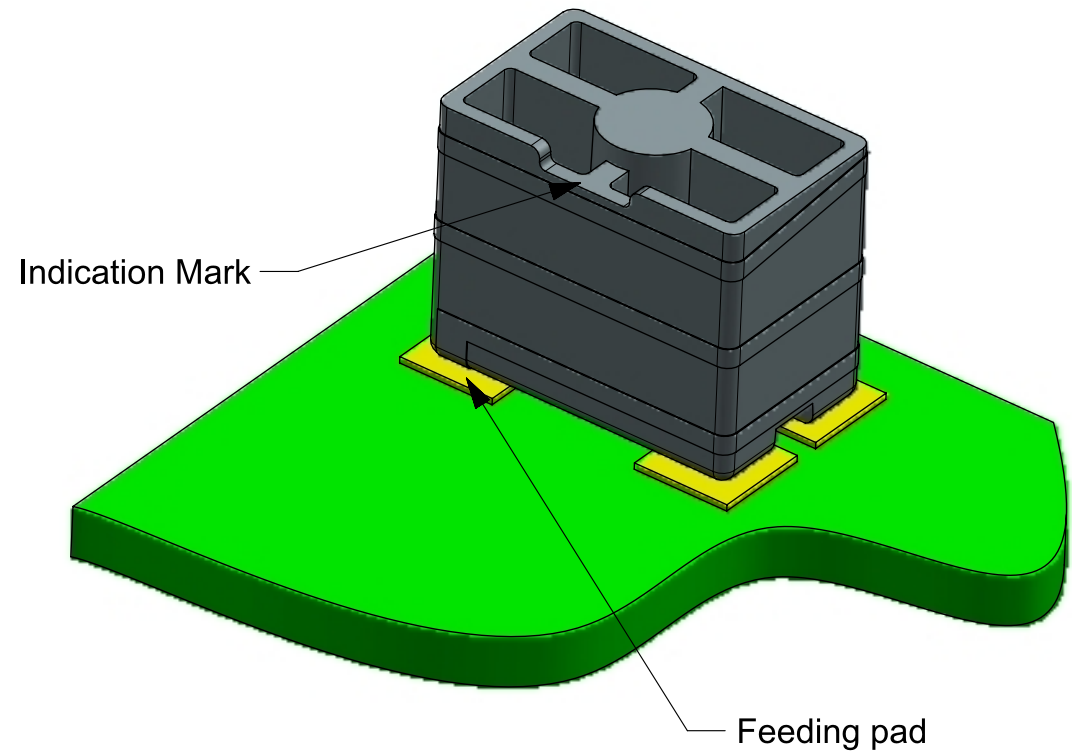
- 1. PLATING SPEC:  
 Cu: 10-14 UM;  
 Ni: 1-2.5 UM;  
 Au: 0.05 UM MINIMUM
- 2. OVER FLOWING OF PATTERN PROFILE AFTER PLATING: 0.03UM MAXIMUM.

THIS DRAWING CONTAINS INFORMATION THAT IS PROPRIETARY TO MOLEX INCORPORATED AND SHOULD NOT BE USED WITHOUT WRITTEN PERMISSION													
QUALITY SYMBOLS ▽ = 0 ▽ = 0 ▽ = 0 ▼ = 0 ▽ = 0 ☒ = 0 ■ = 0 ▽ = 0	EC DESCRIPTION EC NO: 104141 DRWN: TZHOU07 CHK'D: Jack Shi APPR: Chris Yu	GENERAL TOLERANCES (UNLESS SPECIFIED)		DIMENSION UNITS	SCALE								
		ANGULAR TOL ± 0.5 °		mm	10:1								
		4 PLACES ± 0.0000	DRWN BY		DATE		PATTERN FOR HELIX SMT ON GROND ANTENNA						
		3 PLACES ± 0.0000	TZHOU07		2016/04/11								
		2 PLACES ± 0.0000	CHK'D BY		DATE								
		1 PLACE ± 0.00	Jack Shi		2016/04/11		PRODUCT CUSTOMER DRAWING						
		0 PLACES ± 0.00	APPR BY		DATE								
		DRAFT WHERE APPLICABLE MUST REMAIN WITHIN DIMENSIONS		Chris Yu		2016/04/11		SERIES	MATERIAL NUMBER	CUSTOMER			
				A3		THIRD ANGLE PROJECTION		146235	1462350001	GENERAL MARKET			
				A1				DOCUMENT NUMBER		DOC TYPE	DOC PART	SHEET NUMBER	
						SD-146235-001		PSD	000	2 OF 3			

RELEASE STATUS	RELEASE DATE
----------------	--------------

9 8 7 6 5 4 3 2 1

FORMAT: master-b-prod-A3  
 REVISION: 3  
 DATE: 2015/9/12



RECOMMENDED PCB PATTERN LAYOUT

THIS DRAWING CONTAINS INFORMATION THAT IS PROPRIETARY TO MOLEX INCORPORATED AND SHOULD NOT BE USED WITHOUT WRITTEN PERMISSION											
<b>QUALITY SYMBOLS</b> ▽ = 0 ▽ = 0 ▽ = 0 ▼ = 0 ▽ = 0 ☒ = 0 ■ = 0 ▽ = 0	<b>EC DESCRIPTION</b>			<b>GENERAL TOLERANCES (UNLESS SPECIFIED)</b>		<b>DIMENSION UNITS</b>		<b>SCALE</b>		<b>molex</b>	
	EC NO: 104141 DRWN: TZHOU07 CHK'D: Jack Shi APPR: Chris Yu			2016/04/11 2016/04/11 2016/04/11		mm		1:1			
				ANGULAR TOL ± 0.5 °		DRWN BY		DATE		<b>FOOTPRINT FOR HELIX SMT ON GROND ANTENNA</b>  <b>PRODUCT CUSTOMER DRAWING</b>	
				4 PLACES ± 0.00000		TZHOU07		2016/04/11			
				3 PLACES ± 0.00000		CHK'D BY		DATE			
				2 PLACES ± 0.0000		Jack Shi		2016/04/11			
				1 PLACE ± 0.00		APPR BY		DATE		SERIES: 146235 MATERIAL NUMBER: 1462350001 CUSTOMER: GENERAL MARKET	
				0 PLACES ± 0.00		Chris Yu		2016/04/11			
				DRAFT WHERE APPLICABLE MUST REMAIN WITHIN DIMENSIONS		DRAWING SIZE		THIRD ANGLE PROJECTION			
				A1		A3				DOCUMENT NUMBER: SD-146235-001 DOC TYPE: PSD DOC PART: 000 SHEET NUMBER: 3 OF 3	

RELEASE STATUS	RELEASE DATE
----------------	--------------